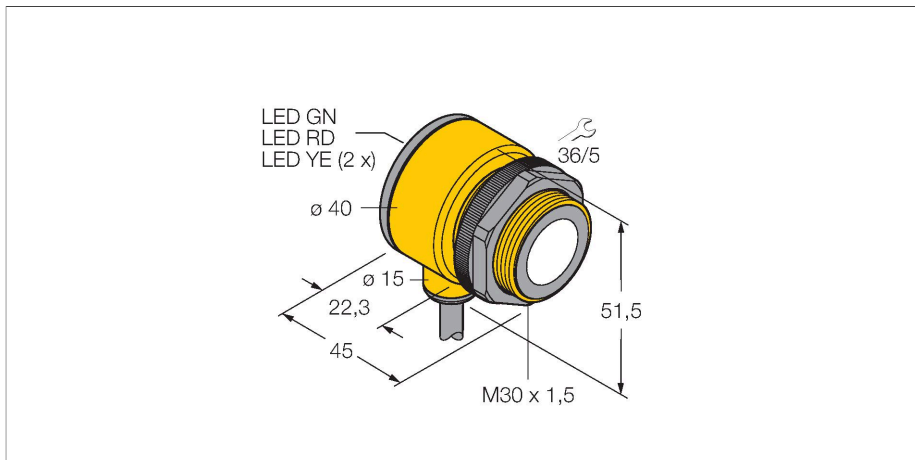


# T30UINB-CRFV

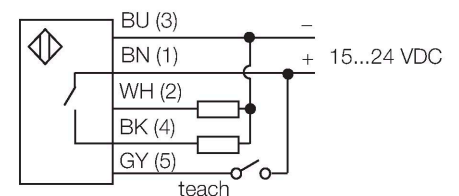
## Ultrasonic sensor – diffuse mode sensor



### Features

- Compact design
- Cable, 2 m
- Operating voltage 15...24 VDC
- PNP transistor output and analog output for current
- Measuring range adjustable via teach-in
- Blind zone: 30 cm
- Range: 200 cm

### Wiring diagram



### Functional principle

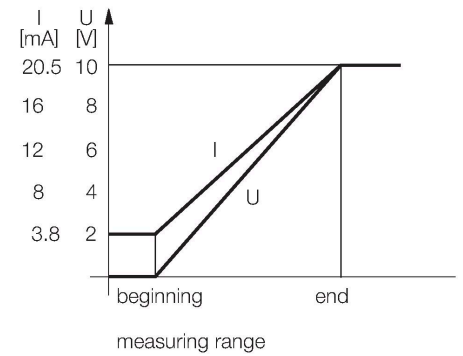
Ultrasonic sensors detect a multitude of objects contactless and wear-free with ultrasonic waves. Regardless of whether the object is transparent or opaque, metallic or non-metallic, liquid, solid or powdery. Even environmental conditions such as spray, dust or rain hardly affect their function.

### Technical data

Type	T30UINB-CRFV
ID	3074838
<b>Ultrasonic data</b>	
Function	Proximity switch
Range	300...1000 mm
Ultrasound frequency	128 kHz
Repeatability	≤ ± 0.75 mm
Temperature drift	≤ 0.2 % of full scale/K
<b>Electrical data</b>	
Operating voltage	15...24 VDC
Response time typical	< 96 ms
Output function	NO contact, PNP/Analog output
Current output	4...20 mA
Switching frequency	≤ 10 Hz
Hysteresis	≤ 2.5 mm
<b>Mechanical data</b>	
Design	Tube, T30U
Radiation direction	straight
Dimensions	Ø 40 x 45 mm
Housing material	Plastic, PBT
Transducer material	Plastic, Epoxyd resin and PU foam
Electrical connection	Cable, 2 m, PVC
Ambient temperature	-20...+70 °C
Relative humidity	100 %
Protection class	IP67
Power-on indication	LED

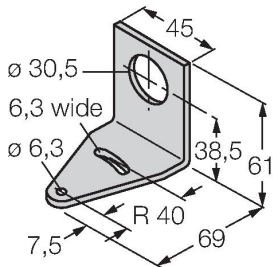
## Technical data

Switching state	LED, Yellow
Object detected	LED, Red
<b>Tests/approvals</b>	
MTTF	246 years acc. to SN 29500 (Ed. 99) 40 °C
Approvals	CE

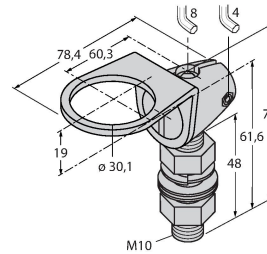


## Accessories

**SMB30A** 3032723  
 Mounting bracket, rectangular, stainless steel, for sensors with 30mm thread



**SMB30FAM10** 3011185  
 Mounting bracket, stainless steel, for M10 x 1.5 thread, thread length 30 mm



**SMB30SC** 3052521  
 Mounting bracket, PBT black, for sensors with 30 mm thread, rotatable

