

4

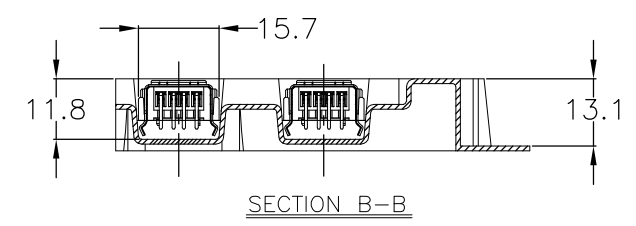
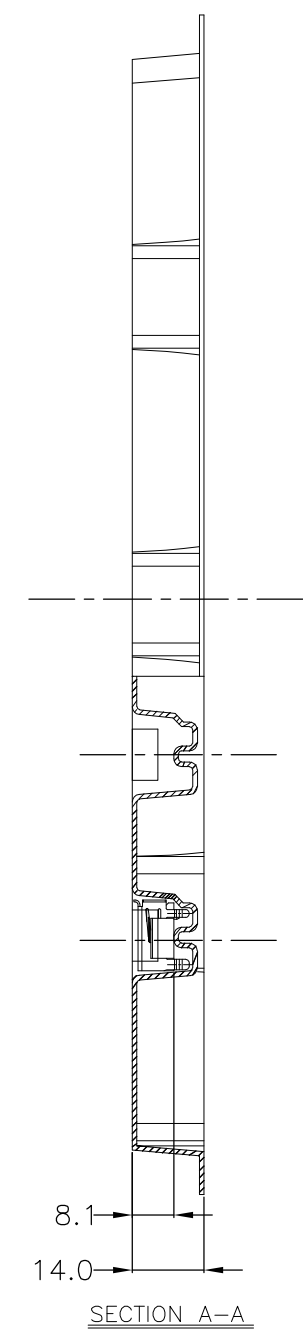
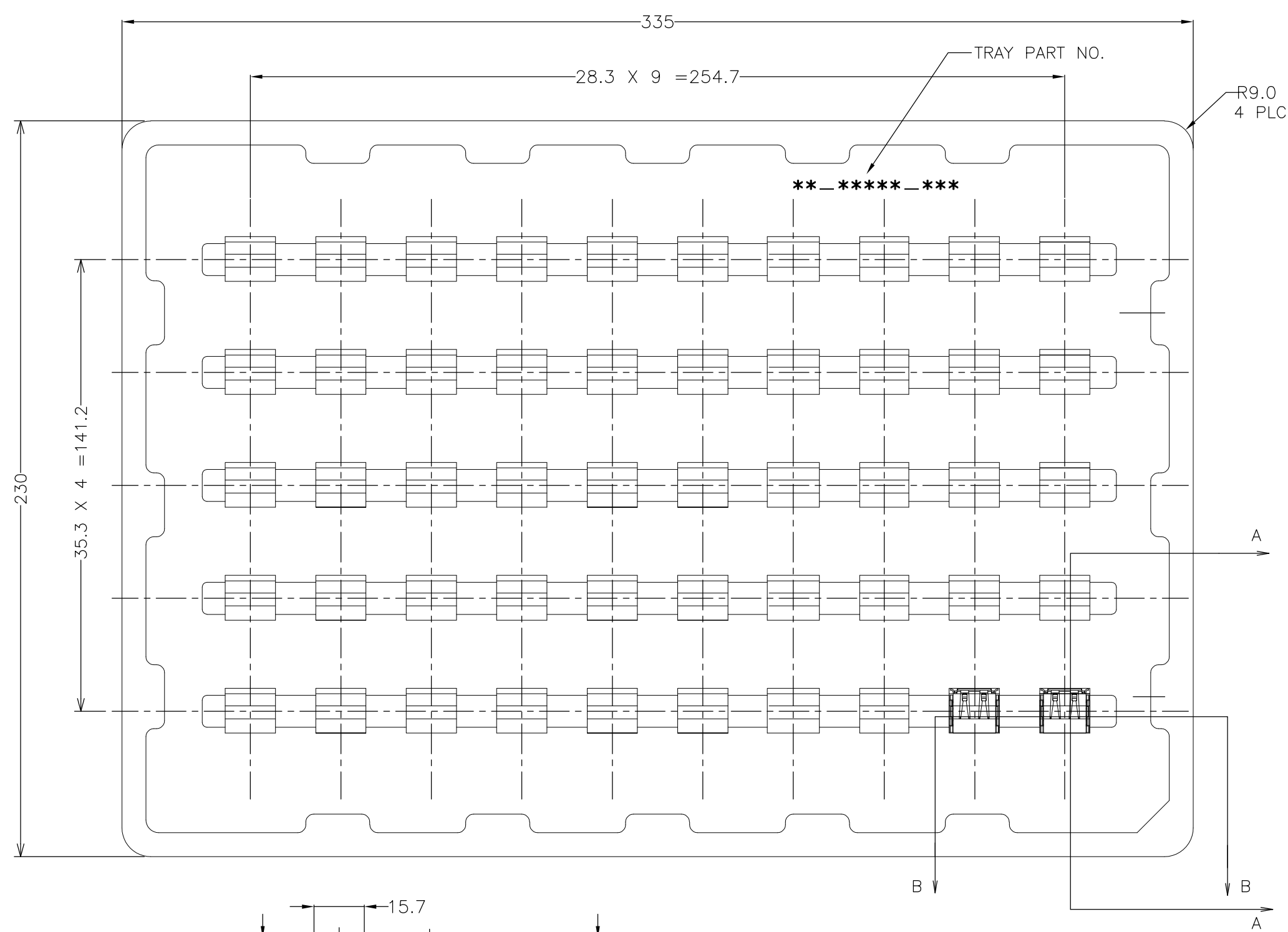
3

2

1

THIS DRAWING IS UNPUBLISHED. RELEASED FOR PUBLICATION
 © COPYRIGHT BY TYCO ELECTRONICS CORPORATION. ALL RIGHTS RESERVED.

LOC	DIST	REVISIONS					
ES	—	P	LTR	DESCRIPTION	DATE	DWN	APVD
			B	REVISED PER ECR-18-004082	16JUL18	T.Z	S.L



PART NUMBER	STATUS
1674459-4	PRELIMINARY

THIS DRAWING IS A CONTROLLED DOCUMENT.

DWN	AMOS ZHU	28NOV08	 Tyco Electronics Corporation Shanghai, P.R.China, 200233
CHK	MARTIN LI	28NOV08	
APVD	STEVEN YAO	28NOV08	
NAME			
PRODUCT SPEC			TRAY REC. ASS'Y R/A DIP
APPLICATION SPEC			HIGH DURABILITY TYPE USB CONNECTOR
SIZE	CAGE CODE	DRAWING NO	RESTRICTED TO
A3	00779	C-1674459	
CUSTOMER DRAWING			SCALE 1:1 SHEET 1 OF 3 REV B

DIMENSIONS: mm
 TOLERANCES UNLESS OTHERWISE SPECIFIED:
 0 PLC ± 0.30
 1 PLC ± 0.30
 2 PLC ± -
 3 PLC ± -
 4 PLC ± -
 ANGLES ± 2'
 MATERIAL FINISH

4

3

2

1

THIS DRAWING IS UNPUBLISHED.

RELEASED FOR PUBLICATION

—, —

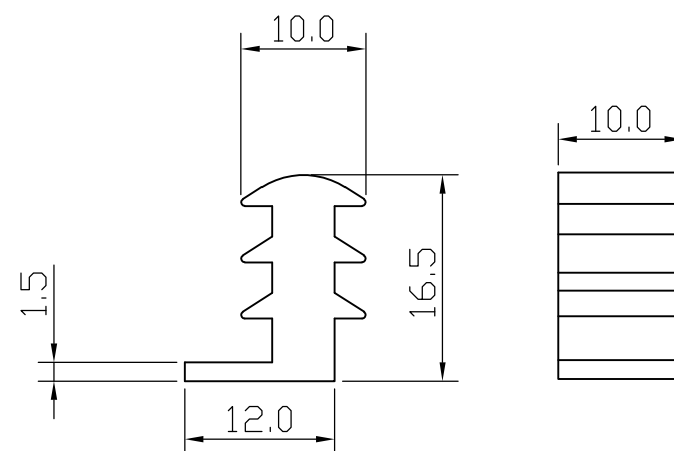
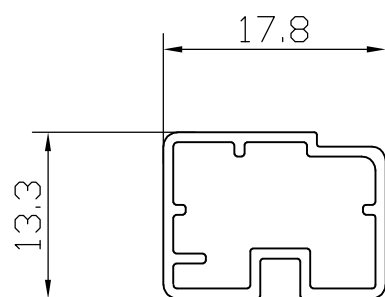
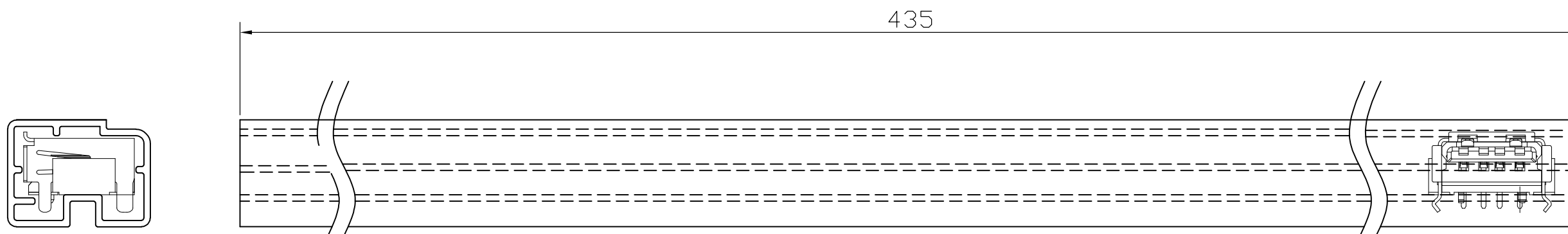
LOC
ES

DIST
—

REVISIONS

© COPYRIGHT - BY TYCO ELECTRONICS CORPORATION. ALL RIGHTS RESERVED.

P	LTR	DESCRIPTION	DATE	DWN	APVD
	—	SEE SHEET 1	—	—	—



THIS DRAWING IS A CONTROLLED DOCUMENT.

DWN AMOS ZHU 28NOV08

CHK MARTIN LI 28NOV08

APVD STEVEN YAO 28NOV08

Tyco Electronics Tyco Electronics Corporation
Shanghai, P.R.China, 200233

DIMENSIONS: mm
TOLERANCES UNLESS OTHERWISE SPECIFIED:

- 0 PLC ± 1.0
- 1 PLC ± 1.0
- 2 PLC ± -
- 3 PLC ± -
- 4 PLC ± -
- ANGLES ± 2°

MATERIAL

FINISH

PRODUCT SPEC

APPLICATION SPEC

WEIGHT -

NAME
TRAY REC. ASS'Y R/A DIP
HIGH DURABILITY TYPE USB CONNECTOR

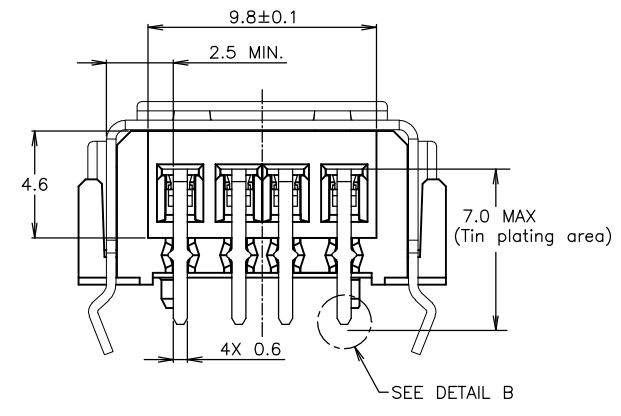
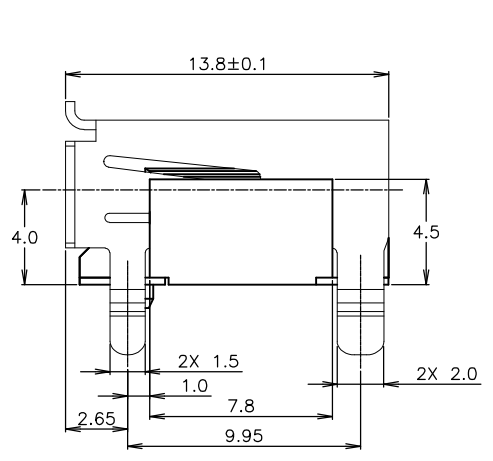
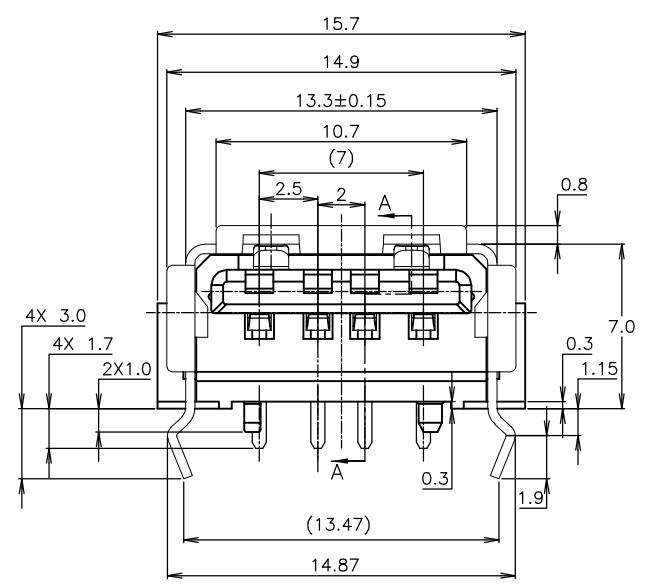
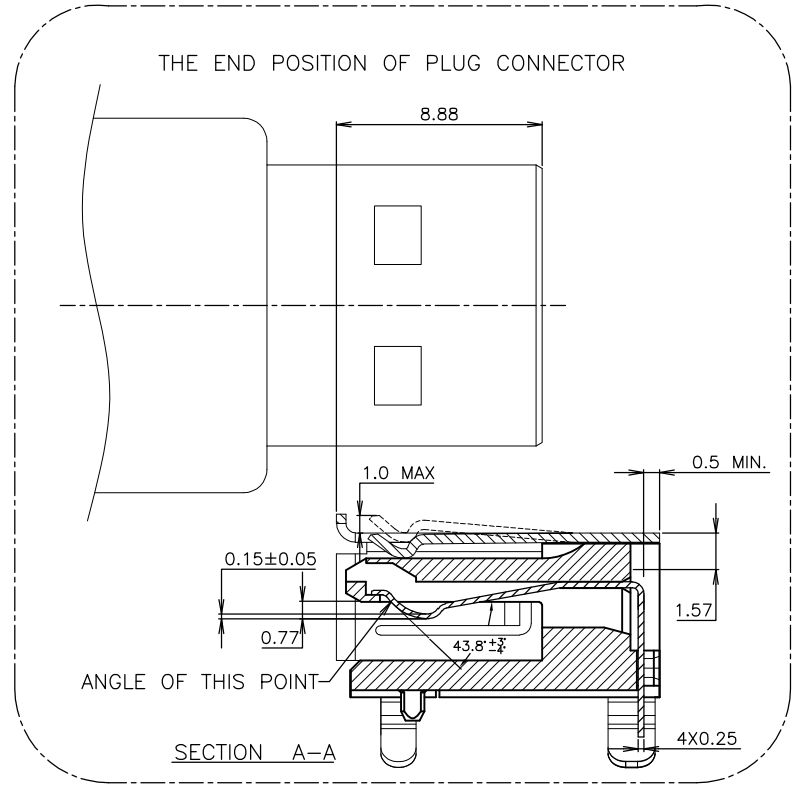
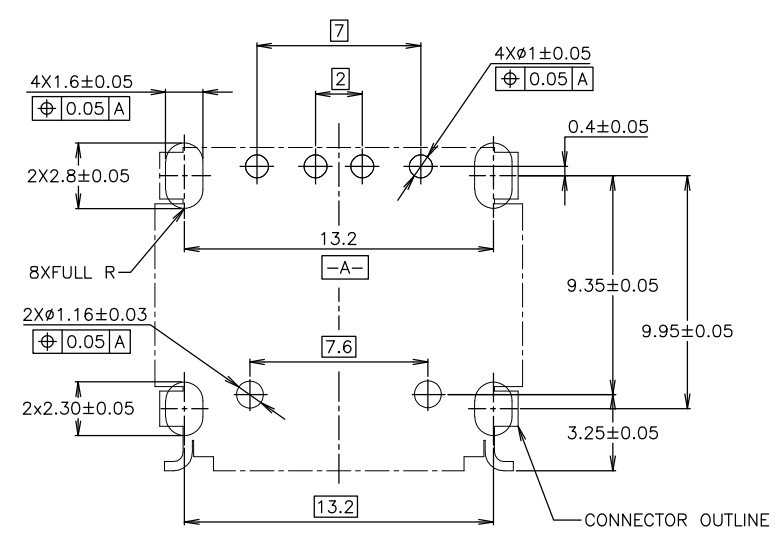
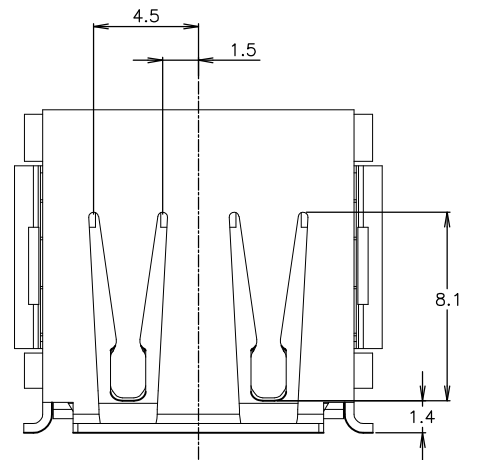
SIZE	CAGE CODE	DRAWING NO	RESTRICTED TO
A3	00779	C-1674459	

PART NUMBER	STATUS
2-1674459-4	PRELIMINARY

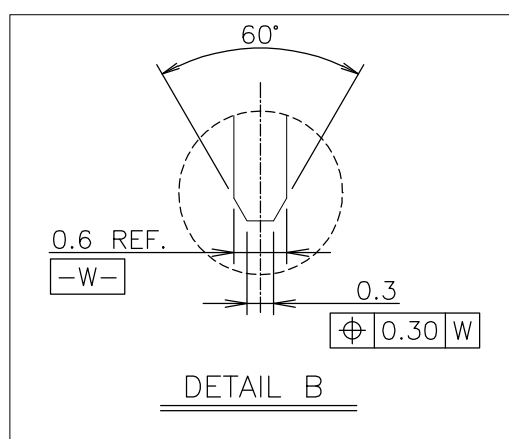
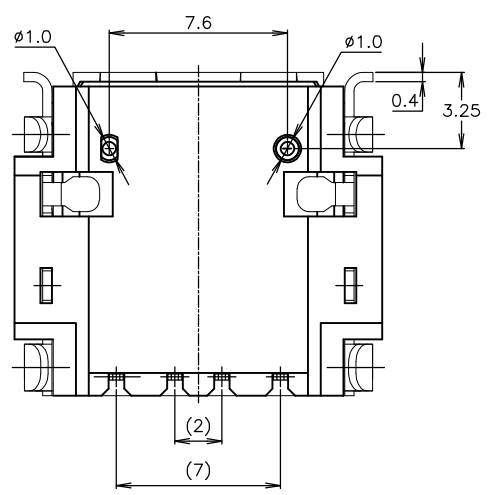
CUSTOMER DRAWING SCALE 1:1 SHEET 2 OF 3 REV B

THIS DRAWING IS UNPUBLISHED. RELEASED FOR PUBLICATION
 © COPYRIGHT BY TYCO ELECTRONICS CORPORATION. ALL RIGHTS RESERVED.

LOC	DIST	REVISIONS					
ES	—	P	LTR	DESCRIPTION	DATE	DWN	APVD
		—		SEE SHEET 1	—	—	—



NOTES
 ① MATERIAL & FINISH
 CONTACT: COPPER ALLOY
 Au PL. AT CONTACT AREA OVER Ni PL.
 TIN PL. AT TINE AREA OVER Ni PL.
 HOUSING: LCP, UL94V-0.
 COLOR: NATURAL
 ② SHELL: STAINLESS STEEL, TIN PL
 2. RECOMMENDED P.C.B THICKNESS 1.00±0.05 mm.



THIS DRAWING IS A CONTROLLED DOCUMENT.

DIMENSIONS:	TOLERANCES UNLESS OTHERWISE SPECIFIED:
mm	
0 PLC	± 0.30
1 PLC	± 0.30
2 PLC	± -
3 PLC	± -
4 PLC	± -
ANGLES	± 2'
MATERIAL	FINISH

DWN	28NOV08	AMOS ZHU
CHK	28NOV08	MARTIN LI
APVD	28NOV08	STEVEN YAO
PRODUCT SPEC	108-60053	
APPLICATION SPEC	-	
WEIGHT	-	
CUSTOMER DRAWING		

Tyco Electronics		Tyco Electronics Corporation	
		Shanghai, P.R.China, 200233	
NAME		TRAY REC. ASS'Y R/A DIP	
		HIGH DURABILITY TYPE USB CONNECTOR	
SIZE	CAGE CODE	DRAWING NO	RESTRICTED TO
A3	00779	C-1674459	
SCALE		SHEET	REV
1:1		3 OF 3	B