



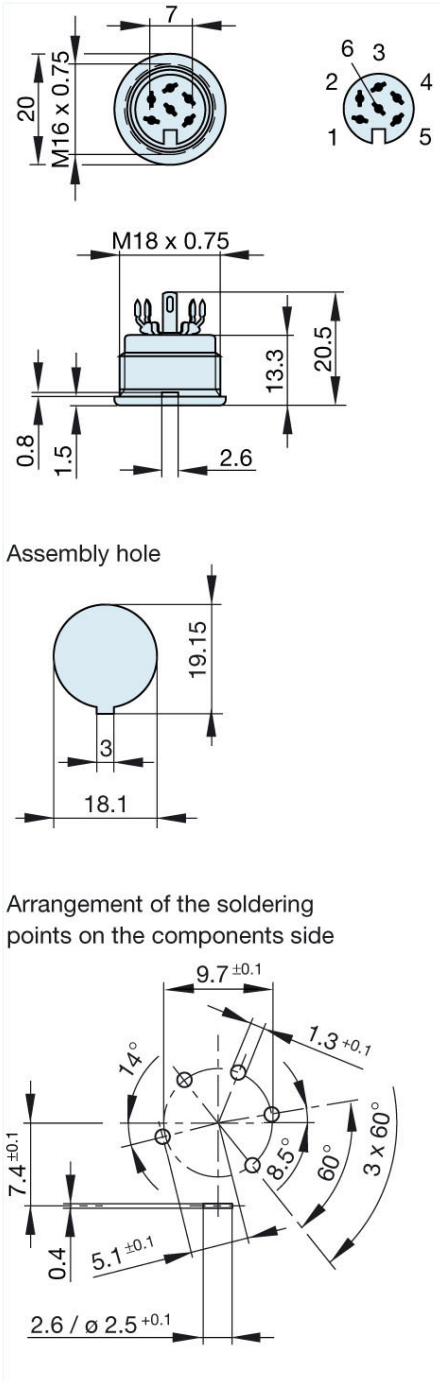
Product information MAB 6100 V grau/grey

Industrial Connecting Solutions: Circular Connectors: Audio/Video Connectors: DIN EN 60 130-09 Connectors (MAS/MAK series): with locking screw: Panel-mounted sockets: MAB 6100 V grau/grey
<https://catalog.beldensolutions.com:443/link/57078-24228-256281-256282-24384-24391-24392-34656/en/conf/uistate>

Name	MAB 6100 V grau/grey
	panel-mounted socket with locking screw; for PCB mounting; solder joint; not shielded
Delivery informations	
Availability	available
Product description	
Type	MAB 6100 V grau/grey
Order No.	932 202-517
Type of contact	female
Colour	grey
Description	panel-mounted socket with locking screw; for PCB mounting; solder joint; not shielded
Number of contacts	6
Conductor size	$\leq 0.34 \text{ mm}^2$
Technical data	
LF output "Phone"	EN 60 130-09
Pole arrangement DIN	DIN 45 322
Rated current	4 A
Rated voltage	AC/DC 34 V
Type of termination	solder
Material	
Contact material (socket)	brass
Contact surface material	tin plated
Contact bearer material	PA 66/UL standard 94V-2
Housing material	PE
Environmental conditions	
Protection class (IEC 60529)	IP 30
Temperature range	-20 °C to +60 °C



Picture
Drawing





HIRSCHMANN

A **BELDEN** BRAND

Belden Deutschland GmbH

Im Gewerbepark 2

58579 Schalksmühle

Germany

Phone: +49 7127/14-1806

E-Mail: icos-sales@belden.com

The information published in the websites has been compiled as carefully as possible. It is subject to alteration without notice in technical as well as in price-related/commercial respect. The complete information and data were available on user documentation. Mandatory information can only be obtained by a concrete query.