

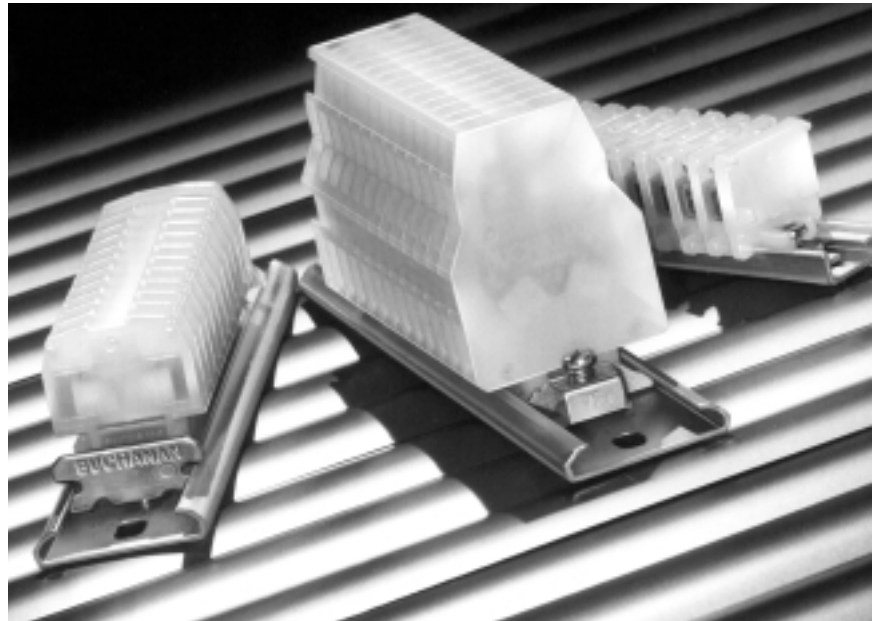
DESCRIPTION/APPLICATION

These miniature terminal blocks fit on a much smaller channel to save valuable panel space or can be surface mounted directly to the panel. Miniature blocks accept wire as large as #12 AWG and are available in four styles: Miniature (nylon), Miniature (polypropylene), Single Tier and Double Tier.

DESIGN ADVANTAGES

- No Wire Crimping Required — tubular clamp contacts hold wire ranging from #30 to #12 AWG better than crimp-on terminals.
- Saves Installation time and costs — tubular clamp contacts are supplied with captive screws backed out.
- Nylon housing standard; polypropylene for fire retardant characteristics.
- Positive Stop — prevents wire from being inserted too far, and prevents screw from being tightened on insulation. Easy access contact provides safe, reliable, and cost-effective connection.
- Quick Installation and Change — additional sections may be added or removed without removing channel mounting screw.
- Choice of Five Mounting Channels:
 - Miniature aluminum
 - Zinc-plated steel
 - Pre-punched aluminum
 - Break-away steel
 - Elevated aluminum.
- Single and Double-Tier blocks fit all standard Buchanan® mounting channels. Single Tier blocks fit both miniature and standard channels.
- Choice of Marking Surfaces — matte-finish area for marking directly on block; slide-in vinyl strip (blank or preprinted) also available.

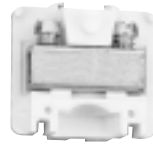
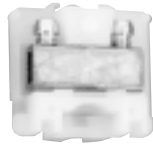
100 SERIES HIGH DENSITY MINIATURE BLOCKS



BUCHANAN®



100 SERIES HIGH DENSITY MINIATURE BLOCKS

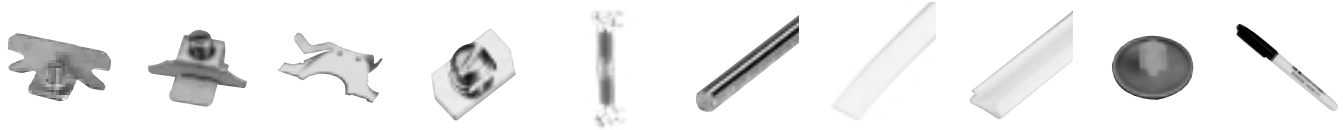


CHARACTERISTICS	MINIATURE NYLON	MINIATURE POLYPROPYLENE	SINGLE TIER	DOUBLE TIER
Type of Block	Model	Model	Model	Model
Standard Block	125-BU	P125	115	105-BU
Corrosion Resistant (nickel plated contacts)	D125	DP125	D115	D105
Specifications				
Housing Material	Nylon	Polypropylene	Nylon	Nylon
Max. Service Temperature	125°C (257°F)	105°C (221°F)	125°C (257°F)	125°C (257°F)
Flammability	UL94V2	UL94VO	UL94V2	UL94V2
Wire Strip Length (in.)	5/16	5/16	5/16	5/16
Torque, in-lbs.	6-9	6-9	6-9	6-9
Electrical Characteristics				
UL Rating	28 A. @ 300V	28 A. @ 300V	20 A. @ 600V	20 A. @ 600V
Wire Range (solid & stranded)	30-12	30-12	30-12	30-12
Spacing				
Pitch	0.25"	0.25"	0.25"	0.24"
Terminals per Foot	48	48	48	102
Accessories				
End Section (gray)	130-BU	P130	120	110
Jumper, 2 pole	10	10	10	—
Jumper, 10 pole	—	—	—	J10
Jumper, Inter-tier	—	—	—	J2-BU
Mounting Channel				
Miniature	12	12	12	—
Steel, Zinc plated (6ft)	—	—	60	60
Steel, Zinc plated (3ft)	—	—	63-BU	63-BU
Breakaway, steel	—	—	60B36	60B36
Pre-punched aluminum (6ft)	—	—	64	64
Pre-punched aluminum (3ft)	—	—	67	67
Elevated aluminum (6ft)	—	—	60SO	60SO
Channel Clamps				
Miniature (use w/#12 channel)	11	11	11	—
Universal	—	—	68	68



LR25557 E63810

100 SERIES MINIATURE BLOCK ACCESSORIES



SCREW STEEL CHANNEL	UNIVERSAL	SNAP-IN	MINIATURE FOR #12 CHANNEL	SEE-THRU COVER	GANGING ROD	MINIATURE VINYL MARKING STRIPS	ELEVATED MARKING STRIP	NYLON HOLDING PLUG	MARKING PEN
Catalog Number									
61	68	62	11	13	14	15	52-BU	16	99-BU
Available For									
Single Tier Double Tier	Single Tier Double Tier	Single Tier Double Tier	Miniature Single Tier	Miniature Single Tier	Miniature Single Tier	Miniature Single Tier Double Tier	Miniature Single Tier Double Tier	Miniature Single Tier	Miniature Single Tier Double Tier
Standard Package									
100	100	100	100	50	2 feet	25 feet	18 inches	100	12

Factory Assembled Blocks

DESCRIPTION	DIRECT MOUNT	CHANNEL MOUNT
Miniature (nylon)	125XX	0125XX
	D125XX (nickel)	D0125XX (nickel)
Single Tier (nylon)	115XX	0115XX
	D115XX (nickel)	D0115XX (nickel)
Double Tier (nylon)	105XX	0105XX
	D105XX (nickel)	D0105XX (nickel)
Miniature (polypropylene)	P125XX	P0125XX
	DP125XX (nickel)	DP0125XX (nickel)

NOTE: XX = number of blocks desired. For factory assembled blocks with removable marking strip, add "-1" to catalog number. 25 piece minimum order.

MINIATURE

$C = .29 + (.25 \times N)$

$L = .51 + (.25 \times N)$

On Miniature Channel:

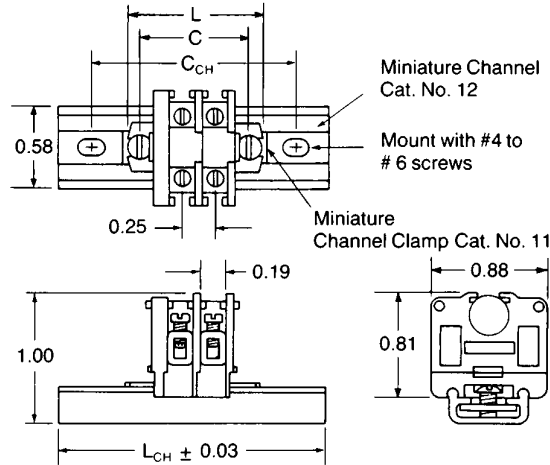
$C_{CH} = 1.00 + (.25 \times A)$

$L_{CH} = 1.35 + (.25 \times A)$

$A = N$ when N is even

$A = N + 1$ when N is Odd

$N =$ No. of Miniature Sections



SINGLE TIER

$C = .35 + (.25 \times N)$

$L = .50 + (.25 \times N)$

On Miniature Channel:

$C_{CH} = 2.00 + (.25 \times A)$

$L_{CH} = 2.75 + (.25 \times A)$

$N =$ No. of Single Tier Sections

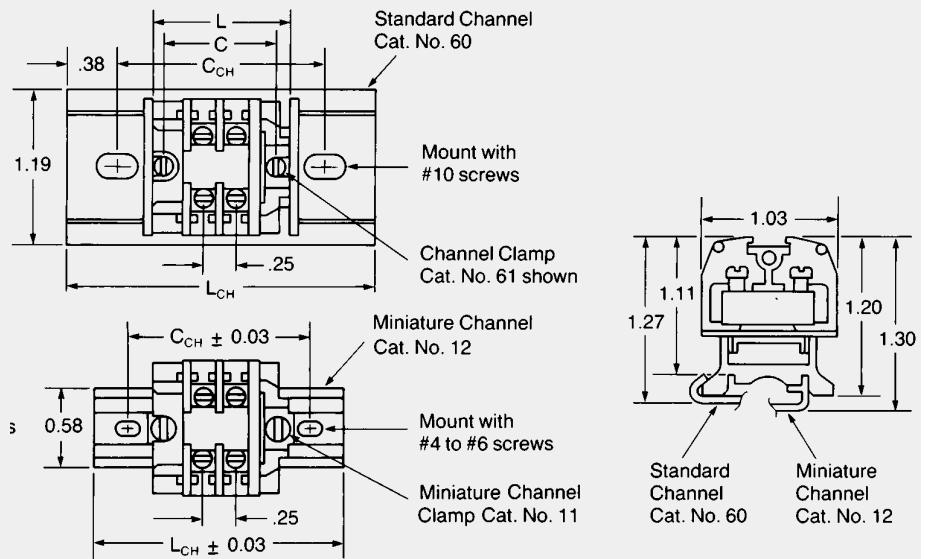
$C_{CH} = 1.00 + (.25 \times A)$

$L_{CH} = 1.35 + (.25 \times A)$

$A = N$ when N is even

$A = N + 1$ when N is Odd

$N =$ No. of Miniature Sections



SINGLE TIER

$L = .08 + (.24 \times N)$

On Miniature Channel:

$C_{CH} = 1.58 + (.24 \times A)$

$L_{CH} = 2.33 + (.24 \times A)$

$N =$ No. of Double Tier Sections

