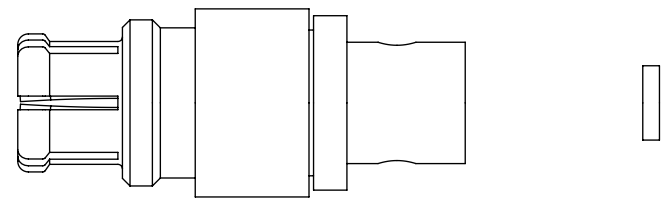
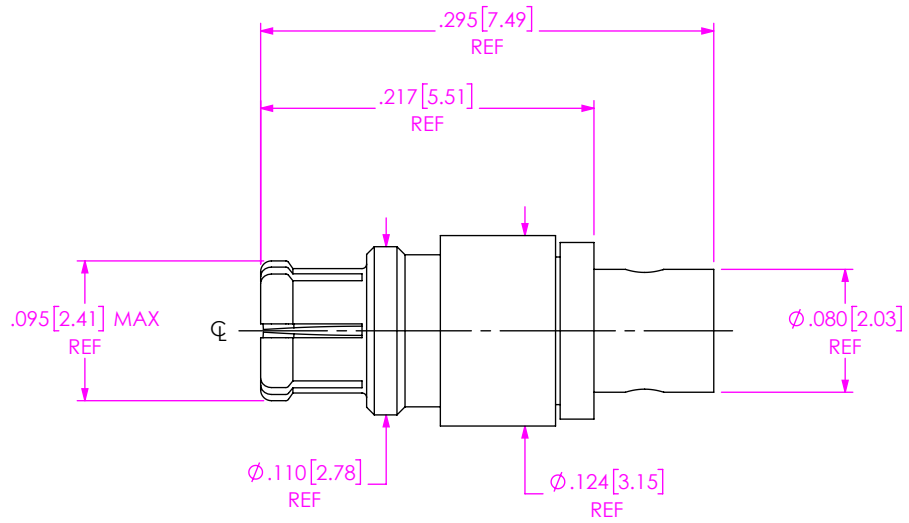


DO NOT SCALE FROM THIS PRINT



EXPLODED VIEW  
NOT TO SCALE  
(FOR CLARITY ONLY)

- NOTES:
- MATERIAL:  
DIELECTRIC STOP: PTFE.  
BEAD: ULTEM.  
SOLDER FERRULE: BRASS ALLOY  
BACK BODY, BODY, CONTACT: BERYLLIUM COPPER.
  - FINISH:  
BACK BODY, BODY, CONTACT: GOLD OVER NICKEL PLATE,  
50 μIN MIN GOLD OVER 50 μIN MIN NICKEL.
  - PCI P/N: 4126.

PRFM0-J-C-EE-047B-SD

SERIES  
-MO: SMPM

GENDER  
-J: JACK

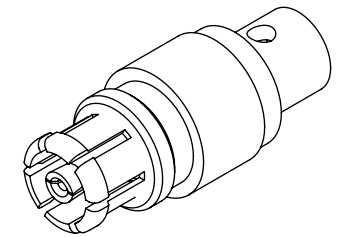
TYPE  
-C: CABLE


FINISH  
-EE: 50μ" EXTRA HEAVY GOLD CENTER CONTACT, 50μ" EXTRA HEAVY GOLD OUTER CONTACT

TERMINATION  
-D: DIRECT SOLDER

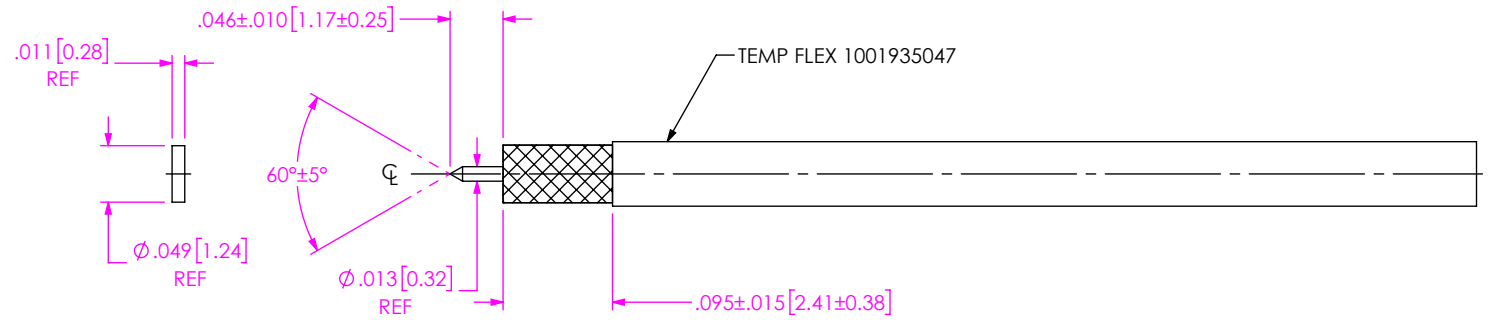
ORIENTATION  
-S: STRAIGHT

CABLE TYPE  
-047B: TEMP FLEX 1001935047

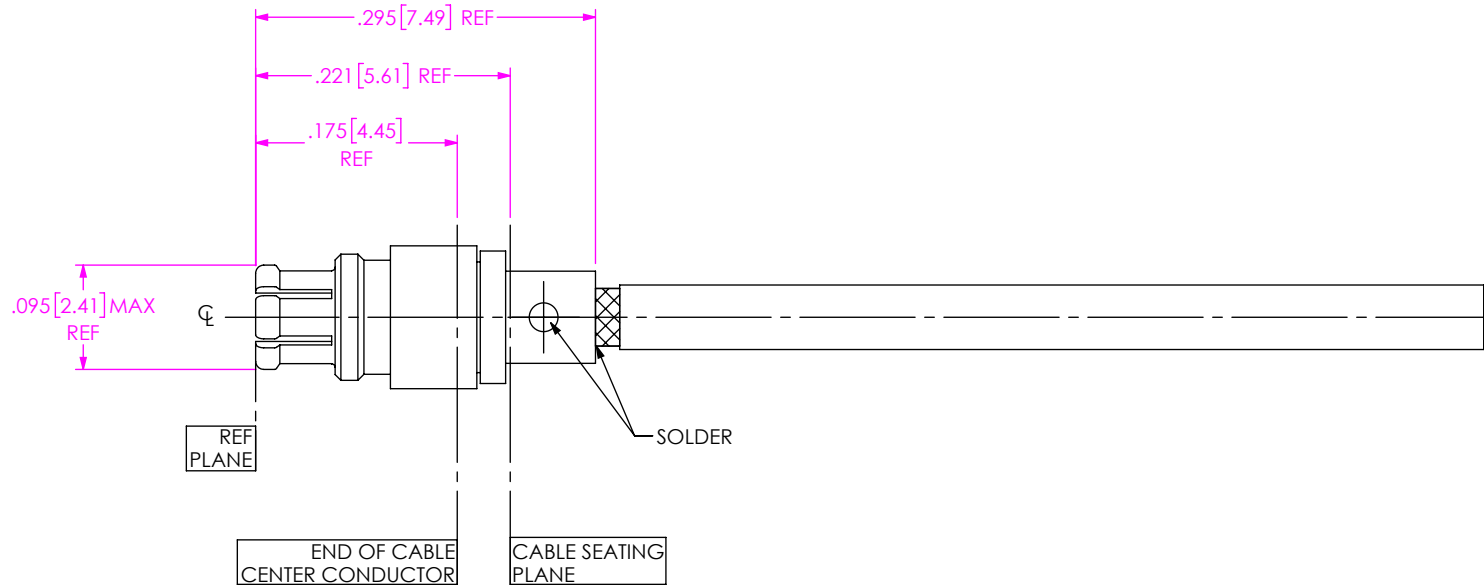


<p>UNLESS OTHERWISE SPECIFIED, DIMENSIONS ARE IN INCHES. TOLERANCES ARE: DECIMALS                      ANGLES .XX: ±.01                              1° .XXX: ±.005 .XXXX: ±.0005</p>	<p><b>PROPRIETARY NOTE</b> THIS DOCUMENT CONTAINS CONFIDENTIAL AND PROPRIETARY INFORMATION AND ALL DESIGN, MANUFACTURING, REPRODUCTION, USE, PATENT RIGHTS AND SALES RIGHTS ARE EXPRESSLY RESERVED BY SAMTEC, INC. THIS DOCUMENT SHALL NOT BE DISCLOSED, IN WHOLE OR PART, TO ANY UNAUTHORIZED PERSON OR ENTITY NOR REPRODUCED, TRANSFERRED OR INCORPORATED IN ANY OTHER PROJECT IN ANY MANNER WITHOUT THE EXPRESS WRITTEN CONSENT OF SAMTEC, INC.</p>	 <p>520 PARK EAST BLVD., NEW ALBANY, IN 47150 PHONE: 812-944-6733    FAX: 812-948-5047 e-Mail: info@SAMTEC.com    code 55322</p>
<p>DO NOT SCALE DRAWING</p>	<p>SHEET SCALE: 8:1</p>	<p>DESCRIPTION: SMPM SOCKET, DIRECT SOLDER FOR TEMP FLEX 1001935047</p>
<p>DWG. NO. PRFM0-J-C-EE-047B-SD</p>		<p>BY: ADAM H. 10/23/2019 SHEET 1 OF 2</p>

- 1A. TRIM CABLE TO EXPOSE OUTER BRAID AND CENTER CONDUCTOR AS SHOWN.
- 1B. POINT CENTER CONDUCTOR AS SHOWN.



**IN-PROCESS VIEW 1**



- 2A. INSERT CABLE/STOP INTO CONNECTOR UNTIL SEATED (DO NOT FORCE) AND SOLDER AS SHOWN.

**IN-PROCESS VIEW 2**

**PROPRIETARY NOTE**  
 THIS DOCUMENT CONTAINS CONFIDENTIAL AND PROPRIETARY INFORMATION AND ALL DESIGN, MANUFACTURING, REPRODUCTION, USE, PATENT RIGHTS AND SALES RIGHTS ARE EXPRESSLY RESERVED BY SAMTEC, INC. THIS DOCUMENT SHALL NOT BE DISCLOSED, IN WHOLE OR PART, TO ANY UNAUTHORIZED PERSON OR ENTITY NOR REPRODUCED, TRANSFERRED OR INCORPORATED IN ANY OTHER PROJECT IN ANY MANNER WITHOUT THE EXPRESS WRITTEN CONSENT OF SAMTEC, INC.



520 PARK EAST BLVD, NEW ALBANY, IN 47150  
 PHONE: 812-944-6733 FAX: 812-948-5047  
 e-Mail info@SAMTEC.com code 55322

DO NOT SCALE DRAWING  
 SHEET SCALE: 6:1

DESCRIPTION: SMPM SOCKET, DIRECT SOLDER FOR TEMP FLEX 1001935047

DWG. NO. PRFM0-J-C-EE-047B-SD

BY: ADAM H. 10/23/2019 SHEET 2 OF 2