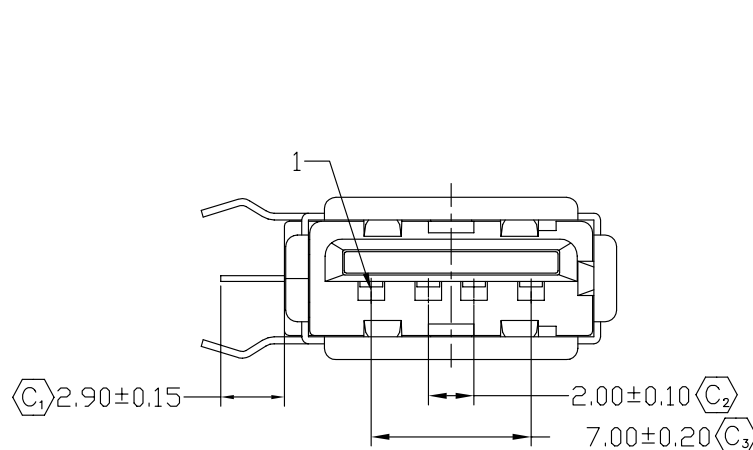


REVISION F



USB-A-S-XX-X-VU-XX

TYPE
-A

CONFIGURATION
-S: SINGLE

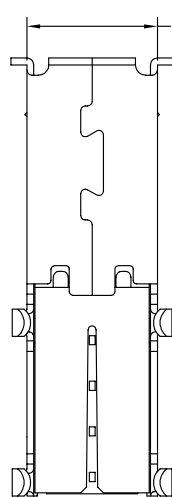
C_4 PLATING
-F: GOLD FLASH ON MATING AREA, TIN LEAD ON TAIL
-S: S. 000030" GOLD ON MATING AREA TIN LEADS ON TAIL
-SM: SELECTIVE GOLD/MATTE TIN TAIL

E&I OPTION
* -RC: ROHS COMPLIANT-LEAD FREE WITH HIGH TEMP INSULATOR

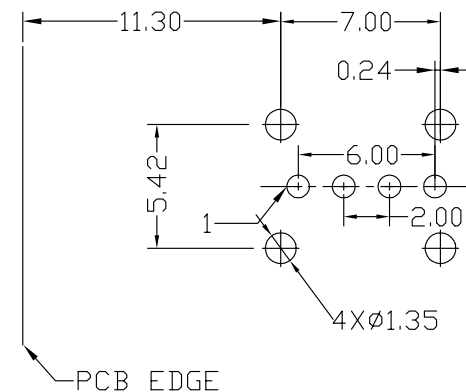
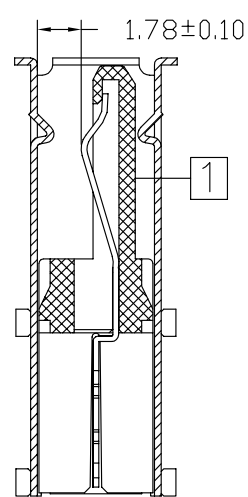
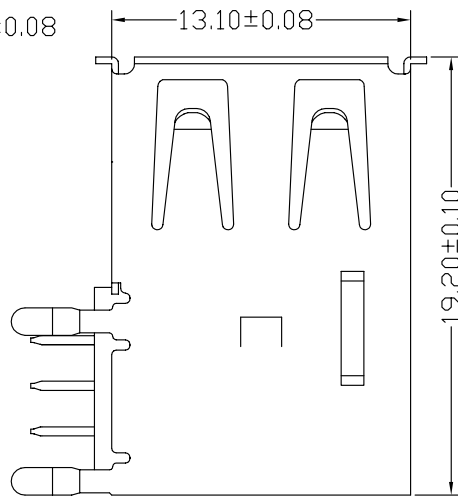
RA TERMINATION
-VU: VERTICAL UPRIGHT

COLOR
-B: BLACK
-W: WHITE

*NOT RELEASED



5.72±0.08



PCB LAYOUT

NOTES:

1. C REPRESENTS CRITICAL DIMENSION.
2. VERIFY -S PLATING, VISUALLY CHECK -F ONLY

UNLESS OTHERWISE SPECIFIED, DIMENSIONS ARE IN INCHES. TOLERANCES ARE:

DECIMALS ANGLES

.X: ±.15 2°

.XX: ±.08

.XXX: ±.03

PROPRIETARY NOTE
THIS DOCUMENT CONTAINS INFORMATION CONFIDENTIAL AND PROPRIETARY TO SAMTEC INC. AND SHALL NOT BE REPRODUCED OR TRANSFERRED TO OTHER DOCUMENTS OR DISCLOSED TO OTHERS OR USED FOR ANY PURPOSE OTHER THAN THAT FOR WHICH IT WAS OBTAINED WITHOUT THE EXPRESSED WRITTEN CONSENT OF SAMTEC INC.

samtec

520 PARK EAST BLVD. NEW ALBANY, IN 47150
(812) 944-6733 P.O. BOX 1147 TWX: 810-540-4085

CODE: 58322

DO NOT SCALE DRAWING SHEET SCALE: 1:2

INSULATOR: PBT (RATED UL 94V-0)
CONTACT: PHOS BRONZE
BACK SHIELD: NICKEL PLATED PHOS BRONZE
FRONT SHIELD: TIN PLATED PHOS BRONZE
MAX FLASH ALLOWED: .051
MAX GATE VESTIGE: .051

F:\DWG\EXISPROD\ASSEMBLY\10\USB

SHEET SCALE: 1:2

DESCRIPTION:
USB A, Single, Vertical Upright Through Hole

DWG. NO.
USB-A-S-XX-X-VU-XX

BY: J. Riley 01/12/04 SHEET 1 OF 1