

# OKI Electronic Components

## OAT6305

### 6.3Mb/s Optical Module Operating at 5.0 V

#### APPLICATION

- Optical Transceiver Module for 6.321Mb/s

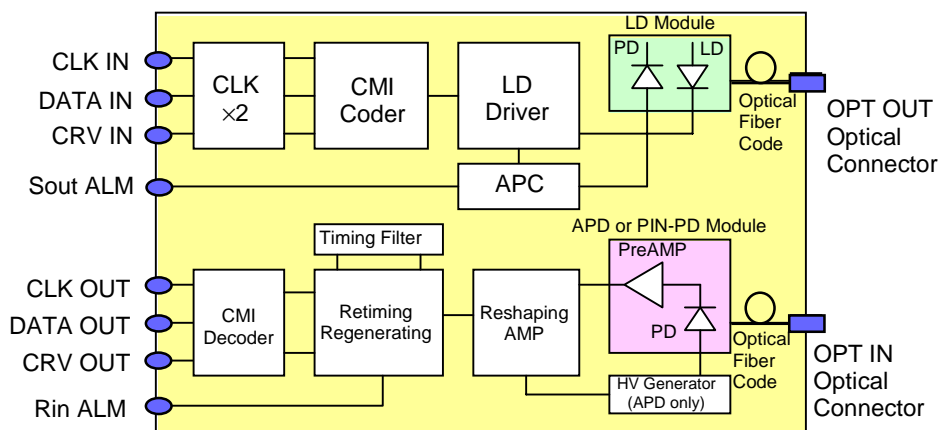
#### FEATURES

- Incorporated CMI CODEC IC
- +5.0 V single power supply
- TTL compatible interface

#### SPECIFICATION

	OAT6305	
	-S	-M
Optical wavelength (nm)	1270 to 1335	1280 to 1330
Bit rate (Mb/s)	6.312	
Optical output power (dBm)	-19 to -10	-13 to -7
Power consumption (dB)	≥ 11	
Data output Rise/Fall timetr/tf (%)	≤ 15	
	1/2f0 = 100% Amplitude: 10 to 90%	
Data output duty (%)	≤ 15	
	1/2f0 = 100% Amplitude: 10 to 90%	
Data output jitters (%)	≤ 10	
Bit error rate	10 <sup>-8</sup>	
Sensitivity (dBm)	-37	
Overload (dBm)	-10	
Level fluctuation tolerance (dB)	4.0	
Power consumption (W)	0.7	
Operating temperature (°C)	0 to 80	
Dimension (mm)	42.9 × 44.5 × 8.5	

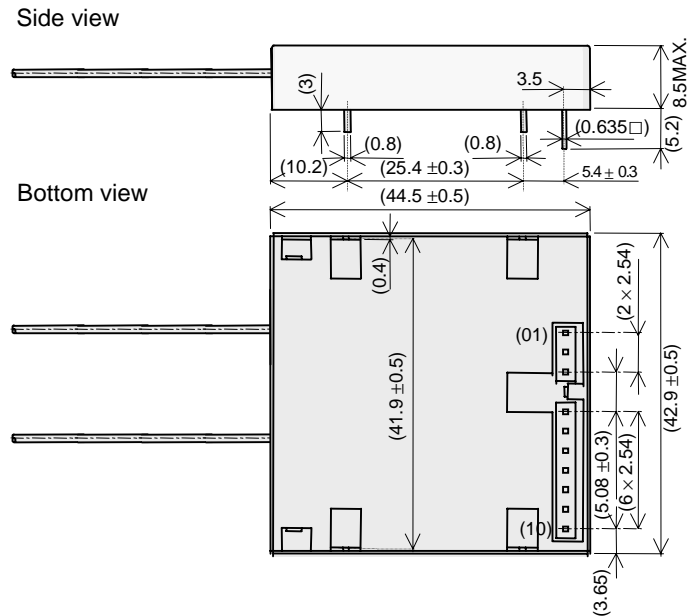
#### BLOCK DIAGRAM



## PACKAGE OUTLINE

(Unit: mm)

## [OAT6305-S, OAT6305-M]



## PIN DESCRIPTIONS

No.	Functionality	No.	Functionality
01	Ground	06	CRV signal output
02	Power supply ( $V_{CC} = +5.0 \text{ V}$ )	07	Transmit fail alarm output
03	Loss of signal alarm output	08	Clock input
04	Clock output	09	Data input (NRZ)
05	Data output (NRZ)	10	CRV signal input

**NOTICE**

1. The information contained herein can change without notice owing to product and/or technical improvements. Before using the product, please make sure that the information being referred to is up-to-date.
2. The outline of action and examples for application circuits described herein have been chosen as an explanation for the standard action and performance of the product. When planning to use the product, please ensure that the external conditions are reflected in the actual circuit, assembly, and program designs.
3. When designing your product, please use our product below the specified maximum ratings and within the specified operating ranges including, but not limited to, operating voltage, power dissipation, and operating temperature.
4. Oki assumes no responsibility or liability whatsoever for any failure or unusual or unexpected operation resulting from misuse, neglect, improper installation, repair, alteration or accident, improper handling, or unusual physical or electrical stress including, but not limited to, exposure to parameters beyond the specified maximum ratings or operation outside the specified operating range.
5. Neither indemnity against nor license of a third party's industrial and intellectual property right, etc. is granted by us in connection with the use of the product and/or the information and drawings contained herein. No responsibility is assumed by us for any infringement of a third party's right which may result from the use thereof.
6. The products listed in this document are intended for use in general electronics equipment for commercial applications (e.g., office automation, communication equipment, measurement equipment, consumer electronics, etc.). These products are not authorized for use in any system or application that requires special or enhanced quality and reliability characteristics nor in any system or application where the failure of such system or application may result in the loss or damage of property, or death or injury to humans. Such applications include, but are not limited to, traffic and automotive equipment, safety devices, aerospace equipment, nuclear power control, medical equipment, and life-support systems.
7. Certain products in this document may need government approval before they can be exported to particular countries. The purchaser assumes the responsibility of determining the legality of export of these products and will take appropriate and necessary steps at their own expense for these.
8. No part of the contents contained herein may be reprinted or reproduced without our prior permission.

Copyright 2000 Oki Electric Industry Co., Ltd.