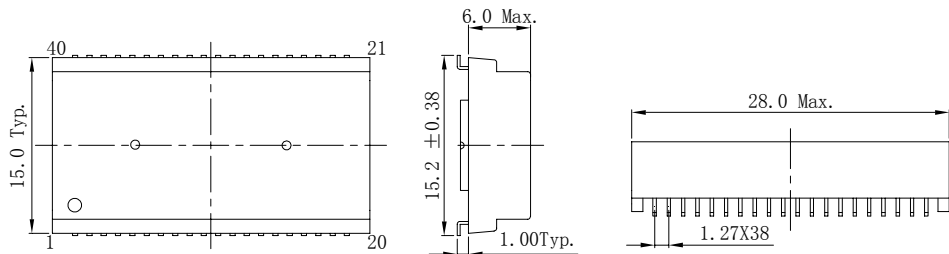
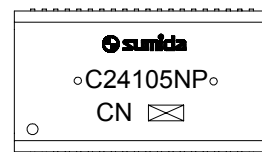
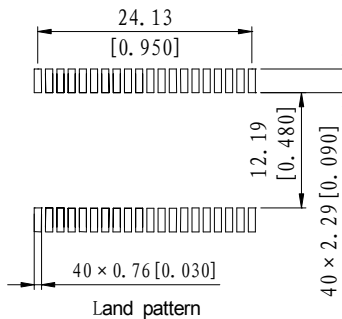
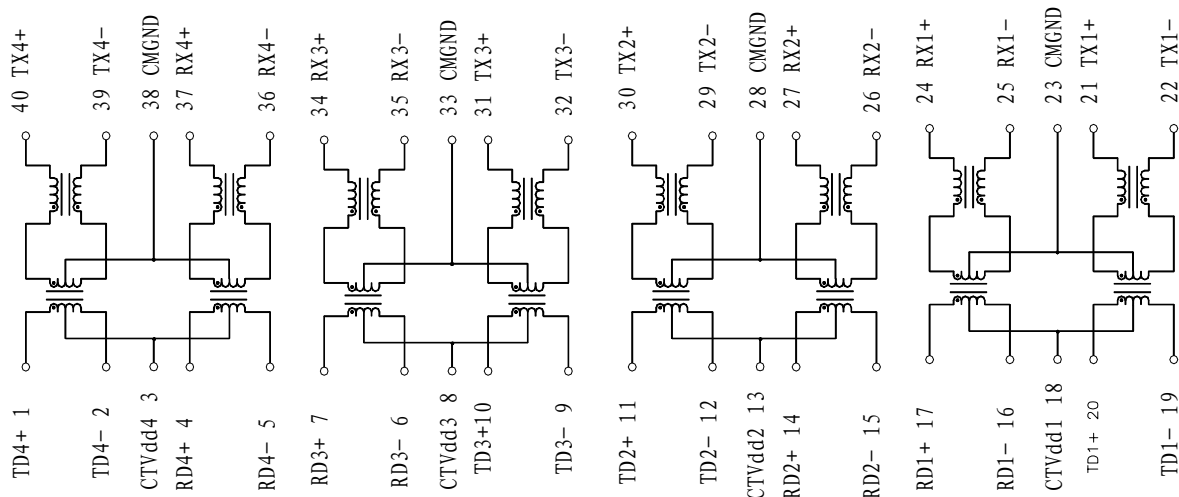


Type: CLP285C
◆ Product Description

- 28.0mm Max. × 15.0mm Typ. (L×W), 6.0mm Max. Height.
- Pulse transformer + filter module for LAN 10/100 Base-T(IEEE802.3).
- In addition to the typical parameters shown here, custom designs are available.


◆ Feature

- 10/100Base-T discrete quad port modules.
- Ideally used in LAN applications, DSL router, Wireless router. Hub, Switch, etc.
- RoHS Compliance.

◆ Dimensions (mm)

◆ Land Pattern (mm)

◆ Schematics(Bottom)


Type: CLP285C
◆ Specification(C24105NP)

| Item | Specification (RX) | Specification (TX) | Condition |
|---------------------------------------|--------------------|--------------------|--------------------------|
| Insertion loss | -1.0dB Min. | -1.0dB Min. | 0.1~100MHZ |
| Return loss | -18dB Max. | -18dB Max. | 1~30MHz |
| | -14.4dB Max | -14.4dB Max | 40MHz |
| | -13.1dB Max. | -13.1dB Max. | 50MHz |
| | -12dB Max. | -12dB Max. | 60~80MHz |
| Differential to common Mode rejection | -37dB Max. | -37dB Max. | 1~60MHz |
| | -25dB Max. | -25dB Max. | 60~200MHz |
| OCL | 350 μ H Min. | 350 μ H Min. | 100kHz,100mV,8mA DC bias |
| Turns ratio | 1:1 \pm 2% | 1:1 \pm 2% | 100kHz, 100mV |
| Cross talk | -55dB Max. | -55dB Max. | 1MHz |
| | -45dB Max. | -45dB Max. | 30MHz |
| | -40dB Max. | -40dB Max. | 60MHz |
| | -33dB Max. | -33dB Max. | 100MHz |
| Hipot | AC 1500Vrms | | 0.5mA, 1Min, 50/60Hz |