

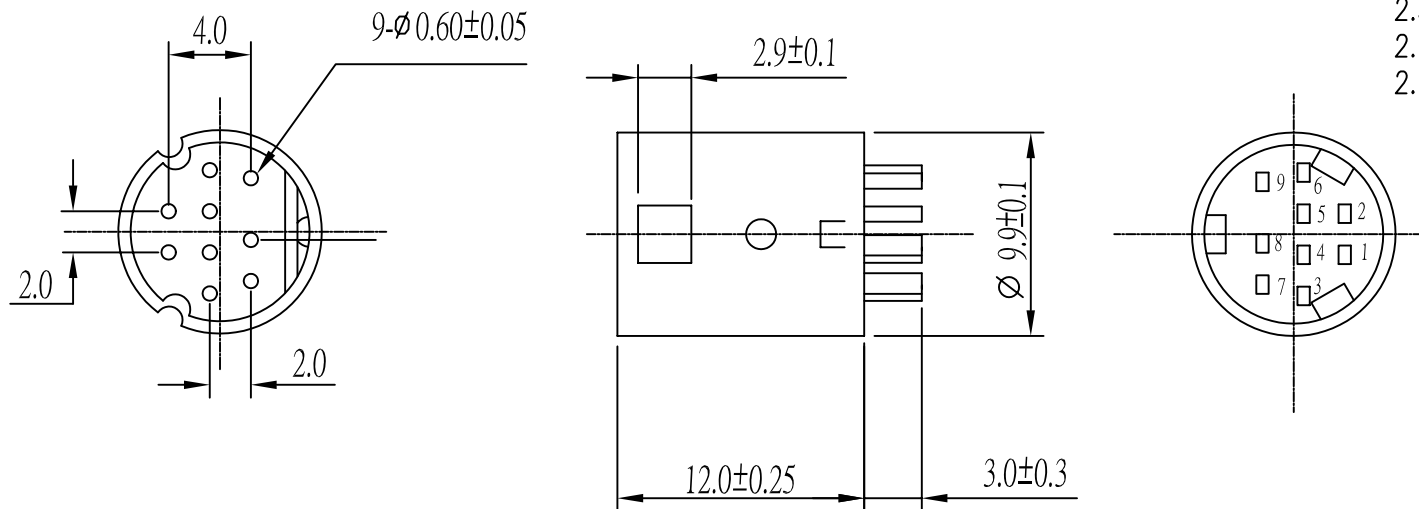
Note:

1.Material:

- 1.1 Insulator: High temperature thermoplastic with g.f,UL94v-0
- 1.2 Contact: Copper alloy,t=0.60mm
- 1.3 Shell: Spcc,t=0.40mm

2.Specification:

- 2.1 Current rating: 1 A Max.
- 2.2 Dielectric withstanding voltage: 750 V(ac) for 1 min.
- 2.3 Contact resistance: 30 mΩ Max.
- 2.4 Insulation resistance: 1000 MΩ Min.
- 2.5 Total mating force: 5.0 Kgf Max.
- 2.6 Total unmating force: 2.0 Kgf Min.
- 2.7 Temperature range: -55°C~85°C



MORETHANALL
CONNECTORS
ASSEMBLIES

煜倫有限公司

PART NO. MDM-PS-09

DWG NO. MDM-PS-09

FILE NO.

UNIT / mm

SCALE 1:1

APPROVED BY CY

DRAWING BY

PROJECTION

TOLERANCES ARE

.X ± 0.30
.XX ± 0.20
.XXX ± 0.10
AWG

DESCRIPTION:

MINI DIN SOLDER 9PIN TYPE(M)

AREA

REVISIONS

HK

DATE