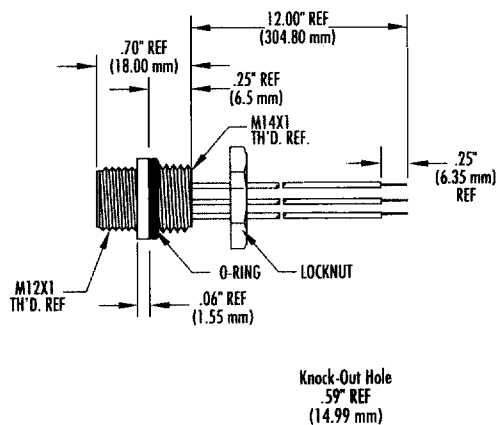


# Micro-Change<sup>®</sup> Single and Reverse Keyway Receptacles

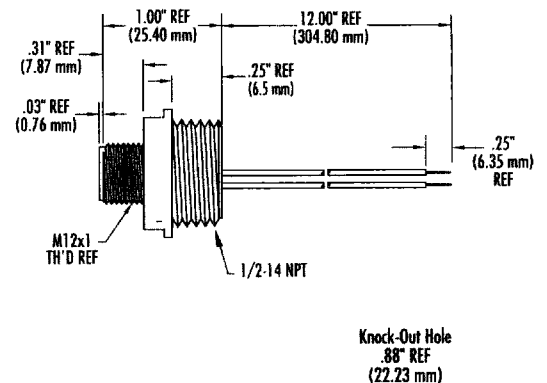
## Product Specifications

<p><b>MECHANICAL</b>  <b>INSERT MATERIAL:</b> NYLON 6/6  <b>SHELL MATERIAL:</b> ANODIZED ALUMINUM  <b>CONTACT MATERIAL:</b> COPPER ALLOY  <b>CONTACT PLATING:</b> GOLD - 5<math>\mu</math>. IN. (MIN)                  PALLADIUM/NICKEL - 20<math>\mu</math>. IN. (MIN)  <b>WIRE TYPE(S):</b> 22 AWG PVC INSULATED  <b>WIRE STRANDING:</b> 26 X #36  <b>O-RING:</b> NITRILE RUBBER  <b>LOCKNUT:</b> STEEL</p> <p><b>ELECTRICAL</b>  <b>VOLTAGE RATING:</b> 3/4 POLE - 300VDC; 5 POLE - 30VDC  <b>AMPERAGE:</b> 4A  <b>CONTACT RESISTANCE:</b> <math>\leq 5m\Omega</math>, (AFTER 100 MATE/UNMATE CYCLES - PER MIL STD. 1344, 3004.1)  <b>ISOLATION RESISTANCE:</b> <math>\geq 1000M\Omega</math></p>	<p><b>ENVIRONMENTAL PROTECTION:</b> IP 68, NEMA 6P - PER NEMA STD. 250  <b>AMBIENT OPERATING TEMP:</b> -20° TO +80°C  <b>HIGH PRESSURE WATER SPRAY:</b> 1000 PSI</p> <p><b>CERTIFICATIONS</b>  <b>UL:</b> UL LISTED, FILE NO. E155210 (5P UL RECOGNIZED)  <b>CSA:</b> CSA CERTIFIED, FILE NO. LR6837  <b>VDE:</b> SPACINGS TO VDE 0110 GROUP C (250VAC/300VDC) (3/4 POLE)</p>
----------------------------------------------------------------------------------------------------------------------------------------------------------------------------------------------------------------------------------------------------------------------------------------------------------------------------------------------------------------------------------------------------------------------------------------------------------------------------------------------------------------------------------------------------------------------------------------------------------------------------------------------------------------------------------------------------------------------------------------------------------	---------------------------------------------------------------------------------------------------------------------------------------------------------------------------------------------------------------------------------------------------------------------------------------------------------------------------------------------------------------------------------------------------

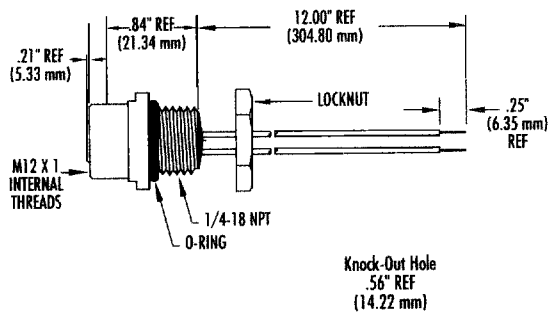
Single Keyway M14x1 Male Receptacle with External Threads



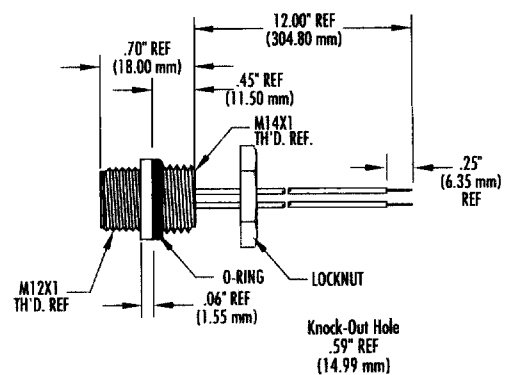
Single Keyway 1/2" NPT Male Receptacle with External Threads



Single Keyway 1/4" NPT Female Receptacle with Internal Threads

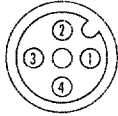
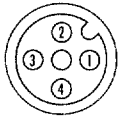
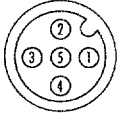


Reverse Keyway M14x1 Male Receptacle with External Threads





# Micro-Change® Single and Reverse Keyway Receptacles

## SINGLE KEYWAY

POLES	FACE VIEW MALE	WIRING CODE	RECEPTACLES WITH 12" LEADS		
			M14x1 MALE WITH EXTERNAL THREADS	1/2" NPT MALE WITH EXTERNAL THREADS	1/4" NPT FEMALE WITH INTERNAL THREADS
<b>3</b>		1-BROWN 2-NOT USED 3-BLUE 4-BLACK	8R3E06A18A120	8R3006A18A120	8R3A00A18A120
<b>4</b>		1-BROWN 2-WHITE 3-BLUE 4-BLACK	8R4E06A18A120	8R4006A18A120	8R4A00A18A120
<b>5</b>		1-BROWN 2-WHITE 3-BLUE 4-BLACK 5-GRAY	8R5E06A18A120	8R5006A18A120	8R5A00A18A120

## REVERSE KEYWAY

POLES	FACE VIEW MALE	WIRING CODE	RECEPTACLES WITH 12" LEADS		
			M14x1 MALE WITH EXTERNAL THREADS		
<b>3</b>		1-BROWN 2-BLUE 3-NOT USED 4-GREEN/YELLOW	BR3E06A26A120		
<b>4</b>		1-BROWN 2-BLUE 3-BLACK 4-GREEN/YELLOW	BR4E06A26A120		