

DA8044/45/46

18-26GHz ANTENNAS

A complementary range of horn antennas is offered at 8-12GHz frequency bands. They are designed to provide the optimum input conditions and radiation characteristics for the DA8505 and DA8507 Series of modules. However they are equally suitable for use with fixed or tunable oscillators from the GPS professional oscillator range. Dielectric rod antennas are also available at 24GHz.

GENERAL CHARACTERISTICS

| | |
|-----------------------------|--|
| Operating Temperature Range | 0° to +55°C |
| Waveguide Size | WG 20 (WR 42) |
| Flange | Compatible with UG 595/U or Equivalent |

FEATURES

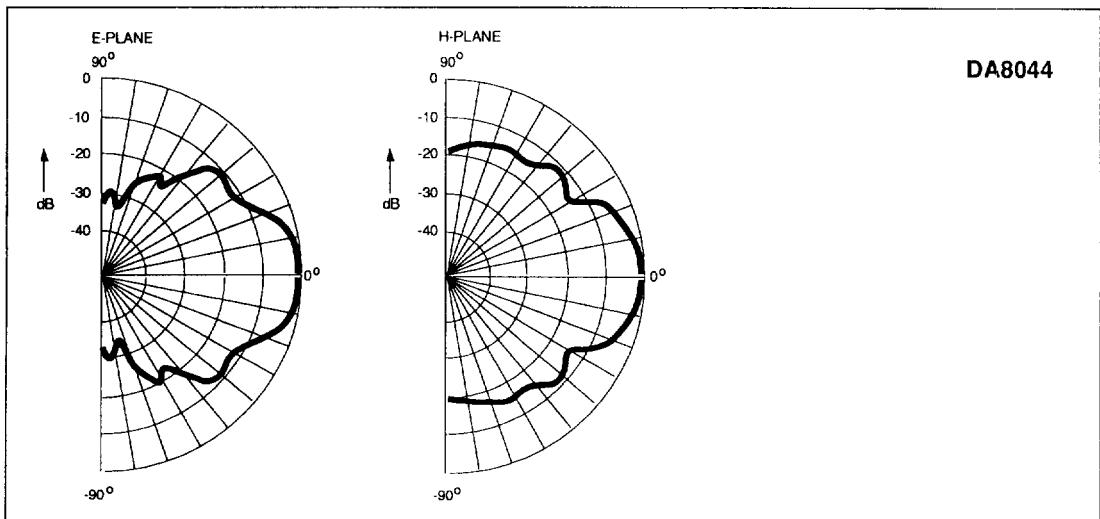
- Low Sidelobe Levels
- Low Input VSWR
- Choice of Gain Value

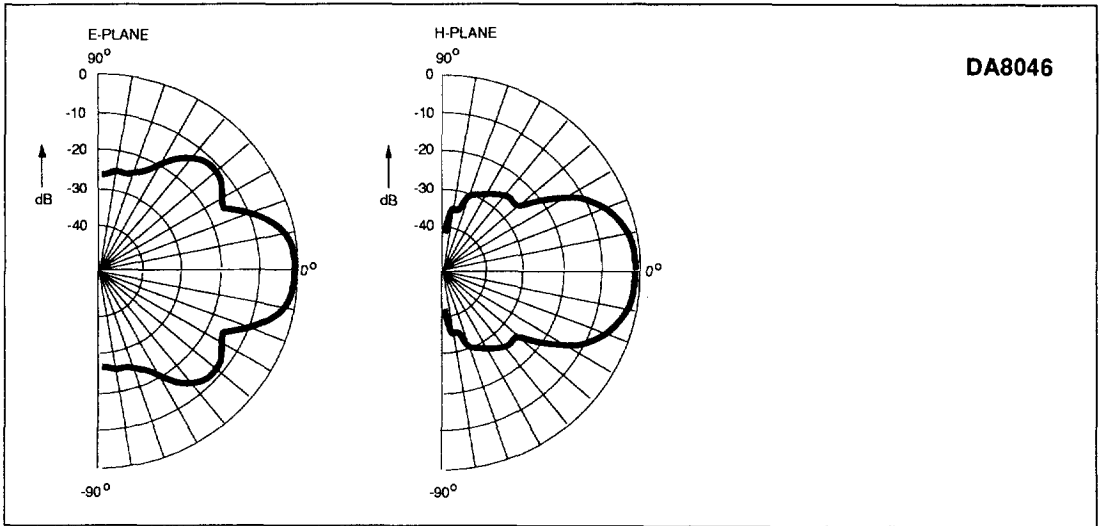
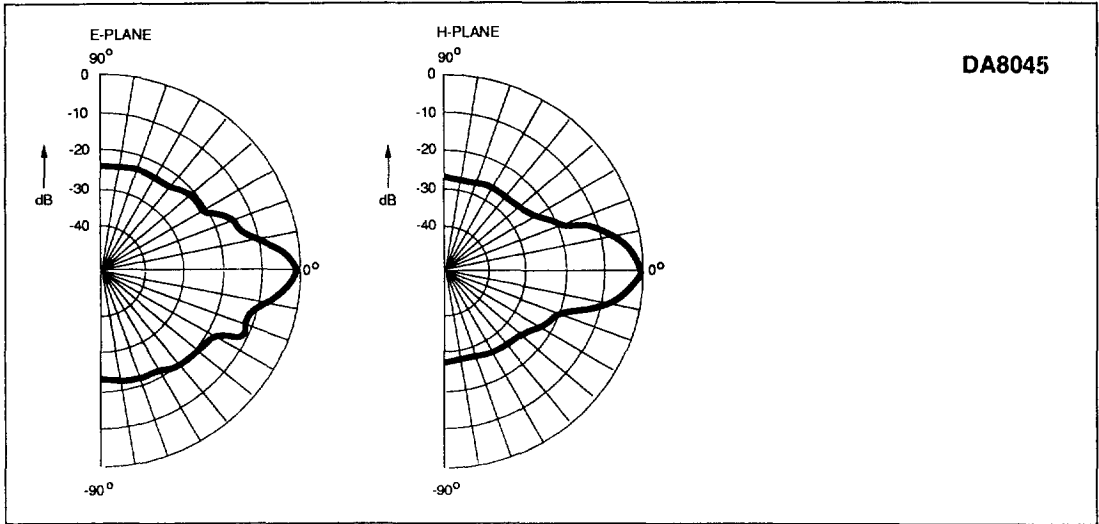
SPECIFICATION at 25°C unless otherwise stated

| Parameter | DA8044 | DA8045 | DA8046 | Units |
|-------------------------------|------------|--------|--------|---------|
| Centre Frequency ¹ | 24-24.5 | 18-26 | 18-26 | GHz |
| Gain ² | 12 | 20 | 15 | dB Nom |
| 3dB Beamwidth - E Plane | 30 | 20 | 28 | Degrees |
| - H Plane | 33 | 12 | 25 | Degrees |
| VSWR | 1.4:1 | 1.3:1 | 1.3:1 | Typ |
| Type | Dielectric | Horn | Horn | |

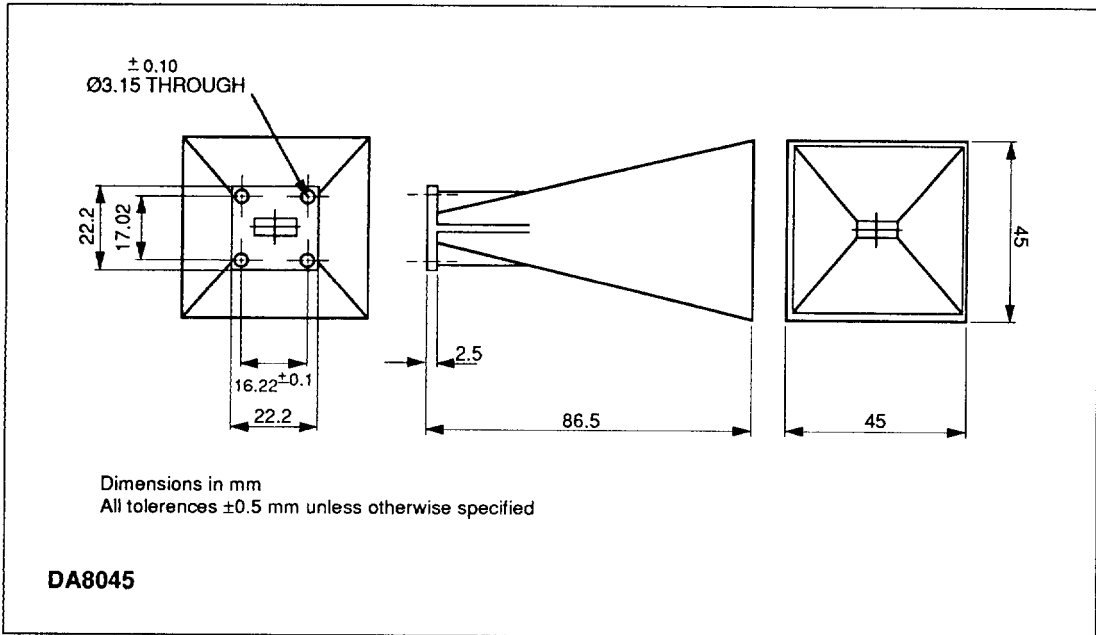
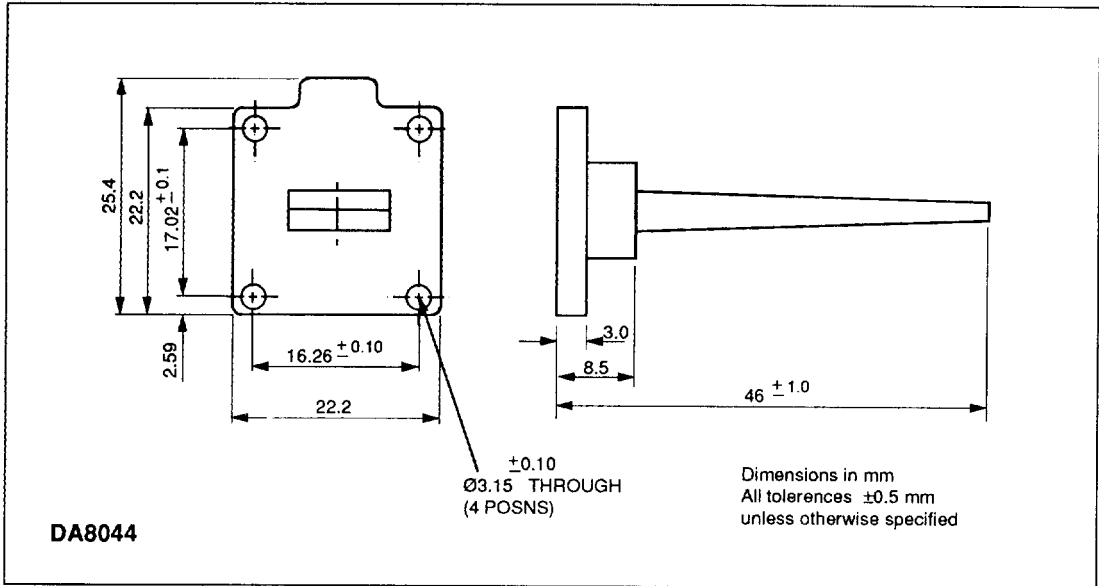
¹All parameters are measured at 24GHz.

²Gain relative to isotropic radiator.





PACKAGE DETAILS



DA8044/45/46

PACKAGE DETAILS (Continued)

