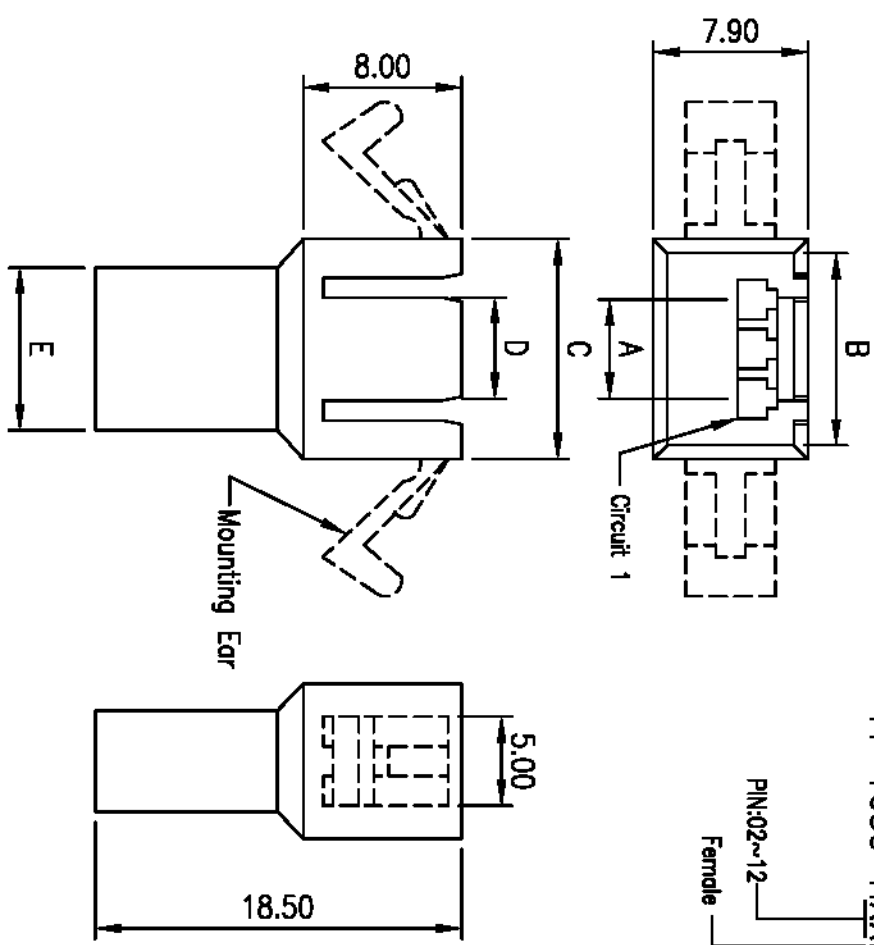


2.50mm (.098") Pitch Housing



Ordering information:
YY-1650-HXXFX

PIN:02~12
Female
□ Without mounting ears
E: With mounting ears

Features:

- * Available in 2 through 12 Circuits
- * Material: Nylon 66 UL94V-0
- * Accepts YY-1650-TM Crimp Terminal
- * Mates with YY-1650-HXXM Series Housing

Specifications:

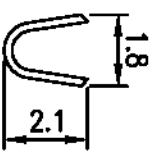
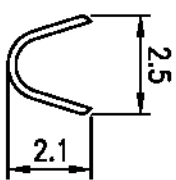
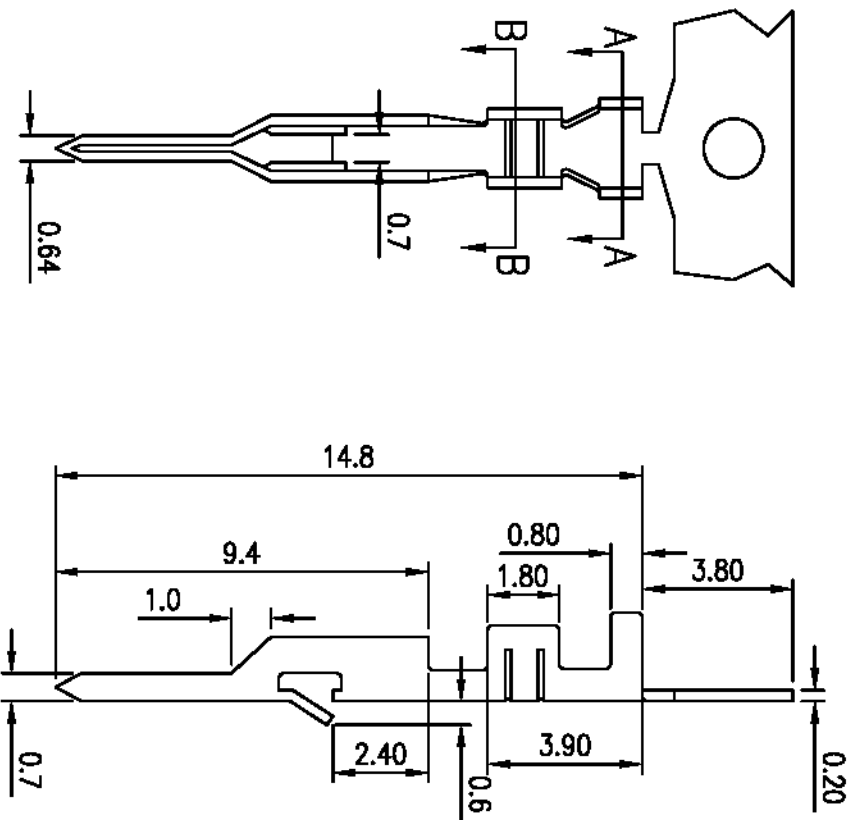
- * Pitch between Poles 2.50mm
- * Rated Voltage 250V AC,DC
- * Rated Current 3A
- * Withstand Voltage 1,000V AC/minute
- * Insulation Resistance 1,000M Ohms/Min
- * Temperature Range -40°C~+105°C



Circuits	Part No	Dimension mm				
		A	B	C	D	E
2	YY-1650-H02F	2.5	6.2	8.6	2.5	5.8
3	YY-1650-H03F	5.0	8.7	11.1	5.0	8.3
4	YY-1650-H04F	7.5	11.2	13.6	7.5	10.8
5	YY-1650-H05F	10.0	13.7	16.1	3.7	13.3
6	YY-1650-H06F	12.5	16.2	18.6	5.0	15.8
7	YY-1650-H07F	15.0	18.7	21.1	5.0	18.3
8	YY-1650-H08F	17.5	21.2	23.6	5.0	20.8
9	YY-1650-H09F	20.0	23.7	26.1	5.0	23.3
10	YY-1650-H10F	22.5	26.2	28.6	5.0	25.8
11	YY-1650-H11F	25.0	28.7	31.1	5.0	28.3
12	YY-1650-H12F	27.5	31.2	33.6	5.0	30.8

EDITION	DATE	MODIFY	VIEW		毅耀實業股份有限公司 YOUNG YAK ENTERPRISE CO.,LTD. TEL:886-2-2999-9629 FAX:886-2-2999-0575	DRAW BY	AUDITING	APPROVAL	DATE	DWG NO	TOLERANCE	
A0	2004.07.29	DRAWING				Art Sorth	JEFF	Jessica	2004.07.29	YY-1650-HXXF	.00	±0.40

2.50mm (.098") Pitch Male Crimp Terminal



Features:

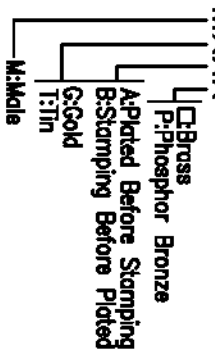
- * Used in YY-1650-HF Series Housing
- * Accepts AWG 22-28 Wire Range
- * Insulation O.D.= 1.90 mm(max)
- * Material : Brass & Phosphor Bronze
- * Finish : Tin-Plated
- * Qty/Reel : 10,000 PCS
- * Thickness: 0.2mm

Specification:

- * Pitch between Poles 2.5mm
- * Rated Voltage 250V AC,DC
- * Rated Current 3A
- * Withstand Voltage 1,000V AC/minute
- * Insulation Resistance 1,000M Ohms/Min
- * Temperature Range -40C~+105C

Ordering Information:

YY-1650-TMXXX



EDITION	DATE	MODIFY	VIEW		DRAW BY	AUDITING	APPROVAL	DATE	DWG NO	TOLERANCE
A0	2004.01.20	DRAWING			Art Sarth	JEFF	Jessica	2004.01.20	YY-1650-TMXXX	.00 ±0.25 ±0.08
				YOUNG YAK ENTERPRISE CO.,LTD. TEL:886-2-2999-9629 FAX:886-2-2999-0575						

