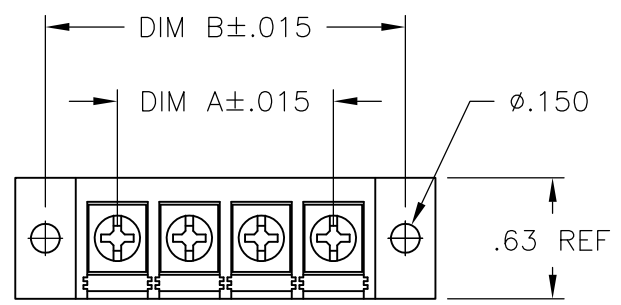


THIS DRAWING IS UNPUBLISHED. RELEASED FOR PUBLICATION  
 © COPYRIGHT - By - ALL RIGHTS RESERVED.

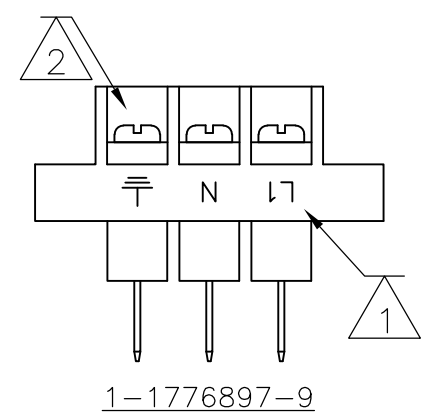
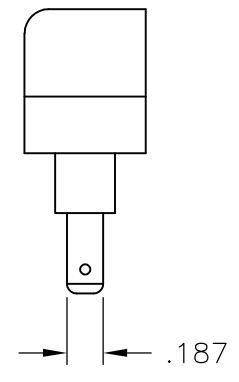
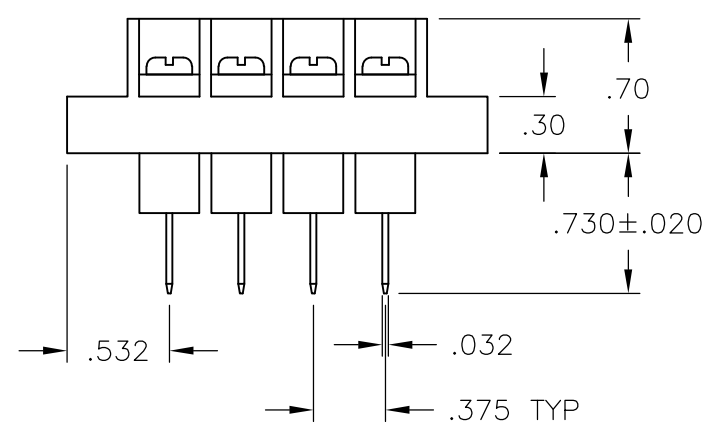
LOC	DIST	REVISIONS					
FT	0	P	LTR	DESCRIPTION	DATE	DWN	APVD
			C1	Correcting Dimension A and B	16MAR2015	CR	PS



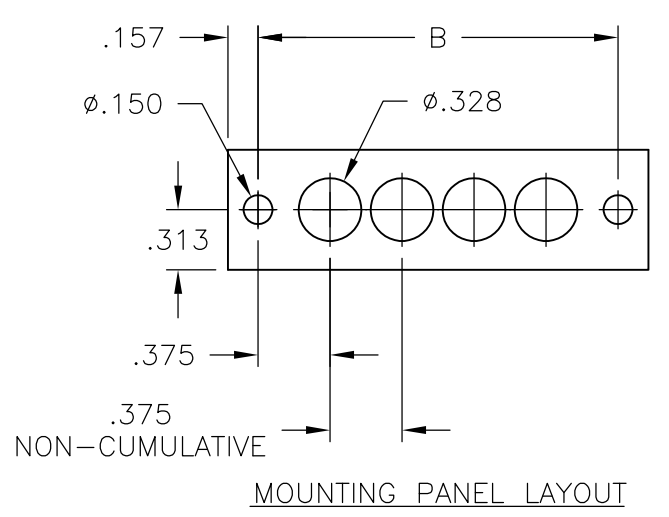
PHYSICAL PROPERTIES:  
 HOUSING: THERMOPLASTIC, UL94V-0, BLACK.  
 TERMINALS: BRIGHT TIN OVER COPPER ALLOY.  
 SCREWS: 6-32 STEEL, ZINC PLATING W/ CLEAR CHROMATE.  
 PITCH: .375"  
 MAX OPERATING TEMP.: +105°C  
 RECOMMENDED TIGHTENING TORQUE: 7 IN-LBS.

ELECTRICAL PROPERTIES:  
 CURRENT RATING: 20A  
 OPERATING VOLTAGE: 300V  
 WIRE RANGE: 12-22 AWG

- 1 MARKED WITH WHITE PERMANENT INK.
- 2 SCREW IS GREEN.



DIM B	DIM A	NO OF POS	CATALOG NUMBER	TE PART NO.
7.125	6.375	18	BC6-F307-18	1-1776897-8
6.750	6.000	17	BC6-F307-17	1-1776897-7
6.375	5.625	16	BC6-F307-16	1-1776897-6
6.000	5.250	15	BC6-F307-15	1-1776897-5
5.625	4.875	14	BC6-F307-14	1-1776897-4
5.250	4.500	13	BC6-F307-13	1-1776897-3
4.875	4.125	12	BC6-F307-12	1-1776897-2
4.500	3.750	11	BC6-F307-11	1-1776897-1
4.125	3.375	10	BC6-F307-10	1-1776897-0
3.750	3.000	9	BC6-F307-09	1776897-9
3.375	2.625	8	BC6-F307-08	1776897-8
3.000	2.250	7	BC6-F307-07	1776897-7
2.625	1.875	6	BC6-F307-06	1776897-6
2.250	1.500	5	BC6-F307-05	1776897-5
1.875	1.125	4	BC6-F307-04	1776897-4
1.500	.750	3	BC6-F307-03-292	1-1776897-9
1.500	.750	3	BC6-F307-03	1776897-3
1.125	.375	2	BC6-F307-02	1776897-2



THIS DRAWING IS A CONTROLLED DOCUMENT.		DWN S SCHLEGEL 9/27/06	<b>STE</b> TE Connectivity	
DIMENSIONS: INCHES		CHK S. YODER 9/27/06		
TOLERANCES UNLESS OTHERWISE SPECIFIED:		APVD S. YODER 9/27/06	NAME	
0 PLC ± -		PRODUCT SPEC	BC6-F307-XX ASSEMBLY	
1 PLC ± -		APPLICATION SPEC	RESTRICTED TO	
2 PLC ± -		WEIGHT -	SIZE A3	CAGE CODE 00779
3 PLC ± -		MATERIAL -	DRAWING NO C-1776897	SCALE 1:1
4 PLC ± -			CUSTOMER DRAWING	SHEET 1 OF 1
ANGLES ± -				
FINISH -				