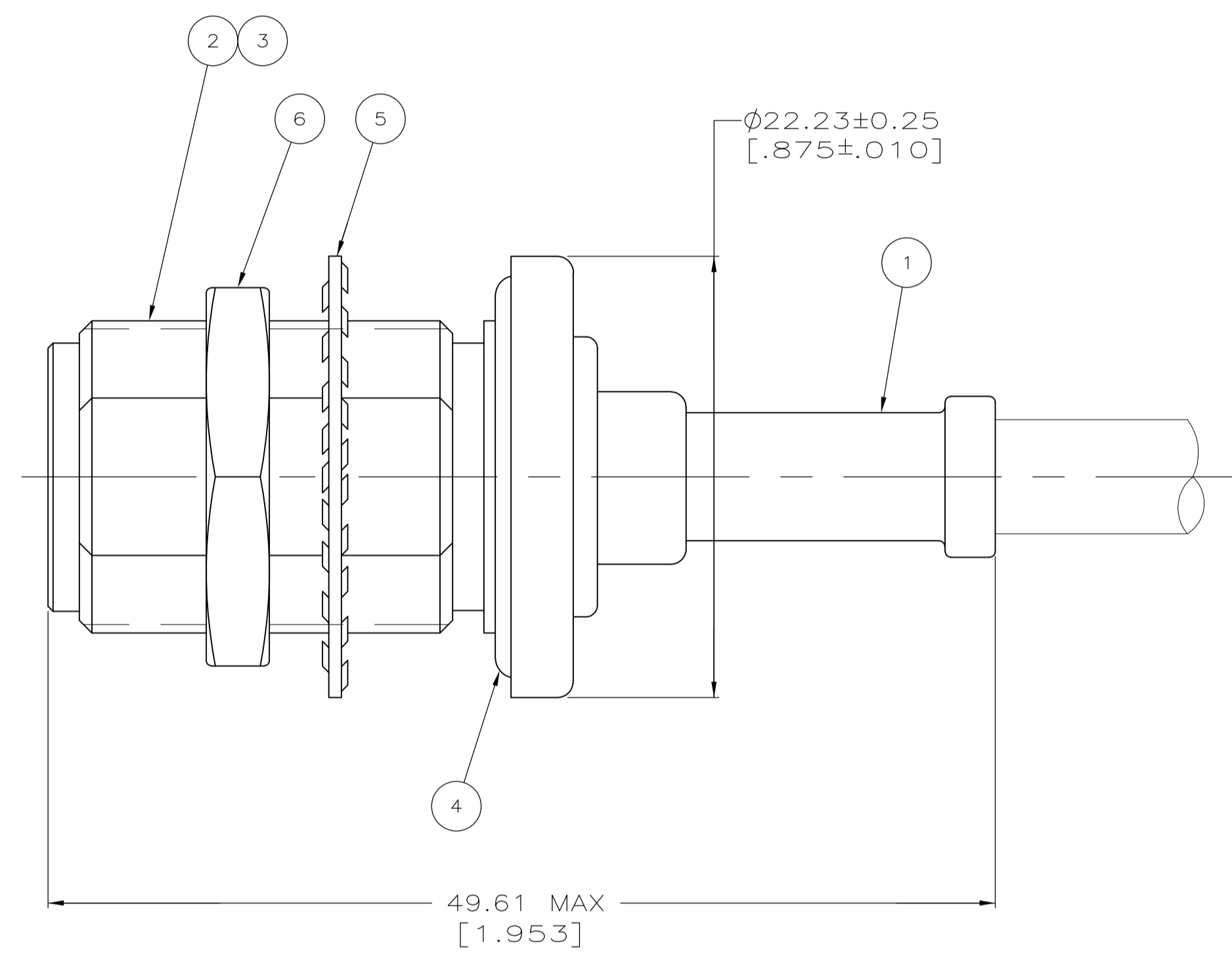
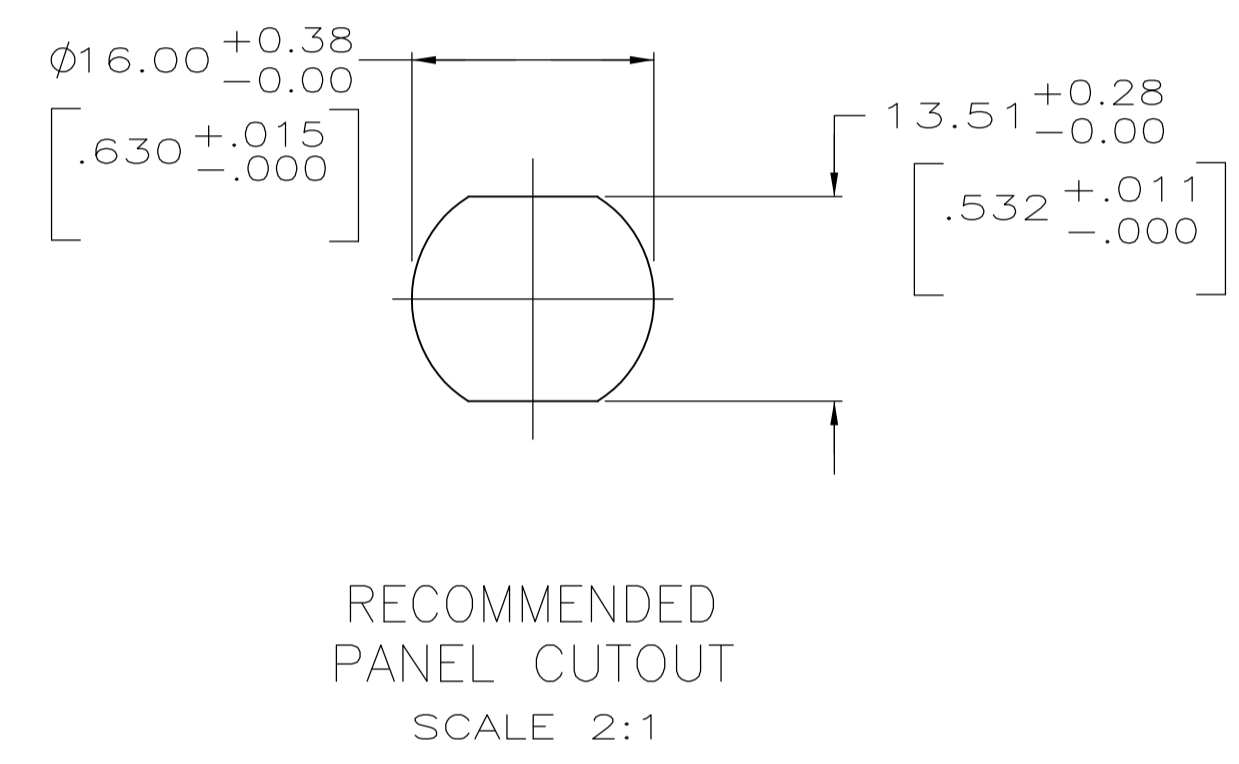
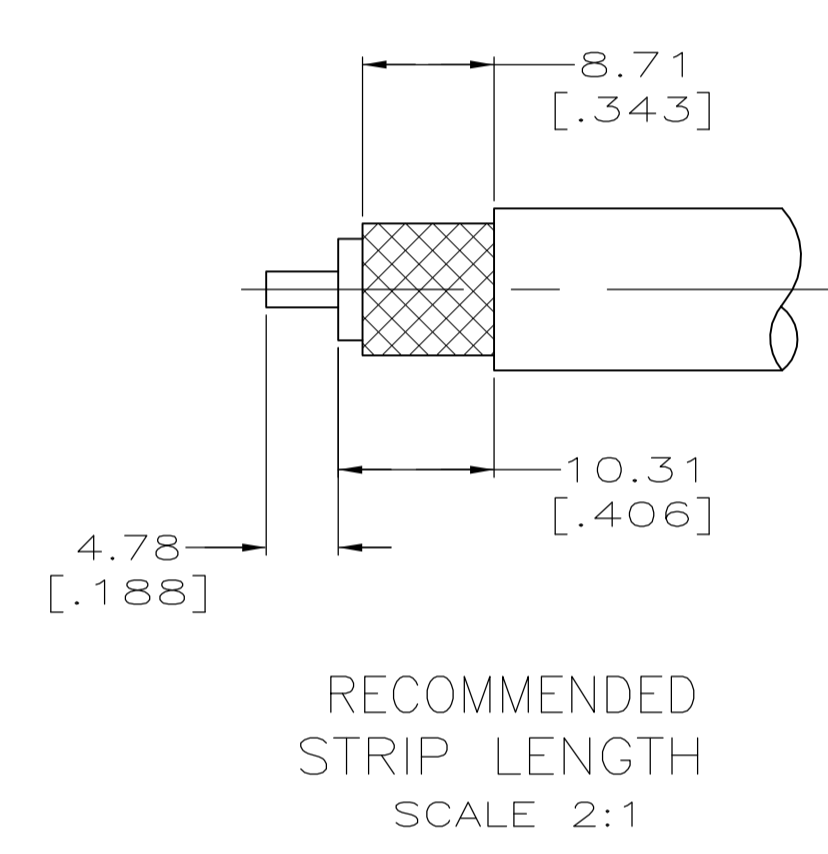


REVISIONS					
P	LTR	DESCRIPTION	DATE	DMN	APVD
L1		REVISED PER ECO-16-001145	28JAN2016	LN	RS

1. PARTS PACKAGED UNASSEMBLED
2. CRIMP TOOL: 220045-2
3. SEE I.S. 2028-3



OBSOLETE	RG-58A/U & RG-58C/U	1-332004-9	50687	22132-3	225415-2	225106-2	225560-2	225393-9
SUPERSEDED BY 1-225668-2								
	RG-141/U & RG-141A/U	9-332004-0	9-50687-0	22132-3	225415-2	225106-4	9-225560-5	225393-3
SUPERSEDED BY 225363-4								
	RG-142/U,142A/U & 142B/U	1-332004-0	50687	22132-3	225415-1	225106-4	225560-1	225393-2
OBSOLETE	RG-55A/U & 223/U	1-332004-0	50687	22132-3	225415-1	225106-2	225560-1	225393-1

CABLE SIZE	⑥ NUT QTY=1	⑤ LOCKWASHER QTY=1	④ O-RING QTY=1	③ JACK ASSY QTY=1	② CONTACT QTY=1	① FERRULE QTY=1	PART NUMBER
------------	----------------	-----------------------	-------------------	----------------------	--------------------	--------------------	-------------

THIS DRAWING IS A CONTROLLED DOCUMENT.

DIMENSIONS: mm [INCHES]	TOLERANCES UNLESS OTHERWISE SPECIFIED:	DIN B SCOTT 06-05-91	APVD B MOYER 1-2-92
0 PLC ± -	1 PLC ± -	2 PLC ± 0.41 [016]	3 PLC ± -
4 PLC ± -	ANGLES ± -	NAME	
MATERIAL	FINISH	PRODUCT SPEC	
		APPLICATION SPEC	
		SIZE	CAGE CODE
		WEIGHT 1.52 OZ MAX	DRAWING NO A1 00779
		CUSTOMER DRAWING	

TE Connectivity
JACK, BULKHEAD, WEATHERPROOF, SERIES N

SCALE 4:1 SHEET 1 OF 1 REV L1