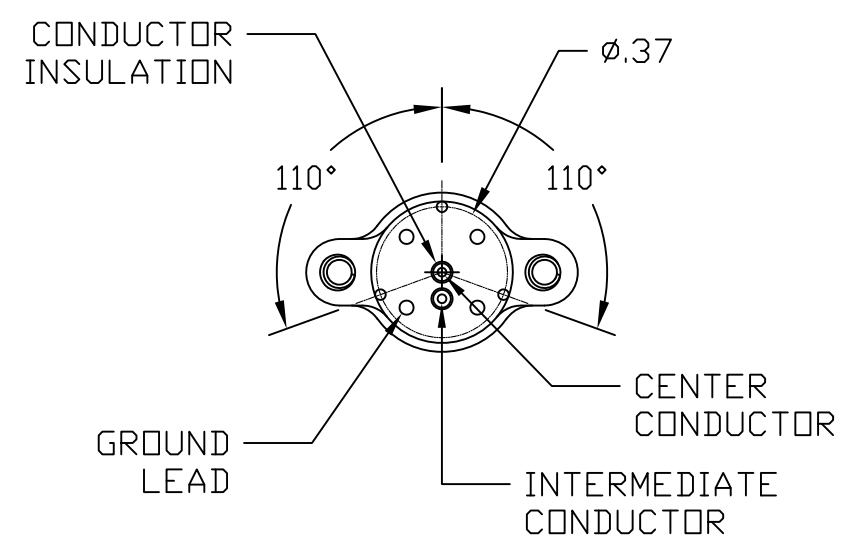
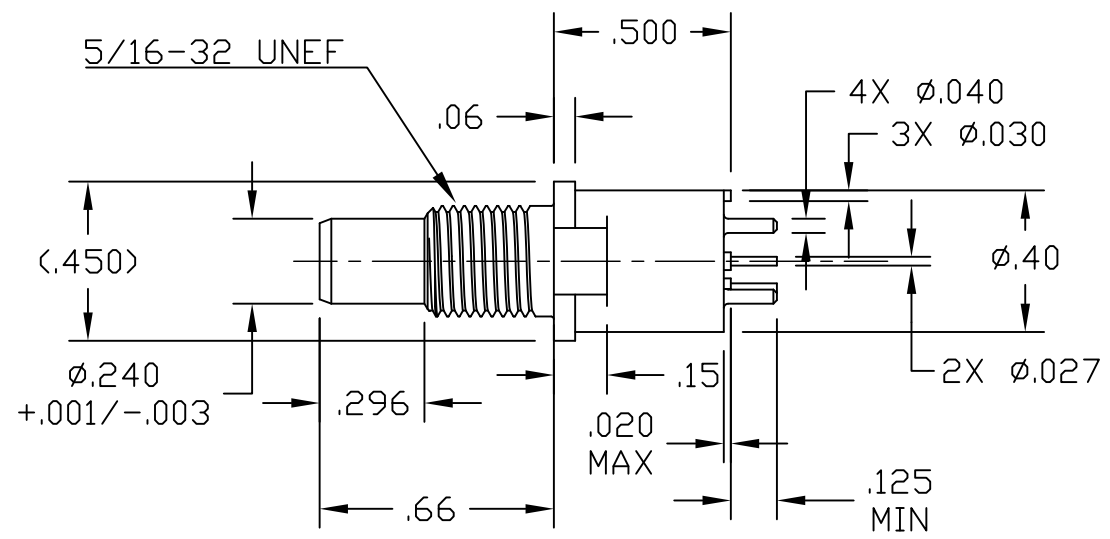
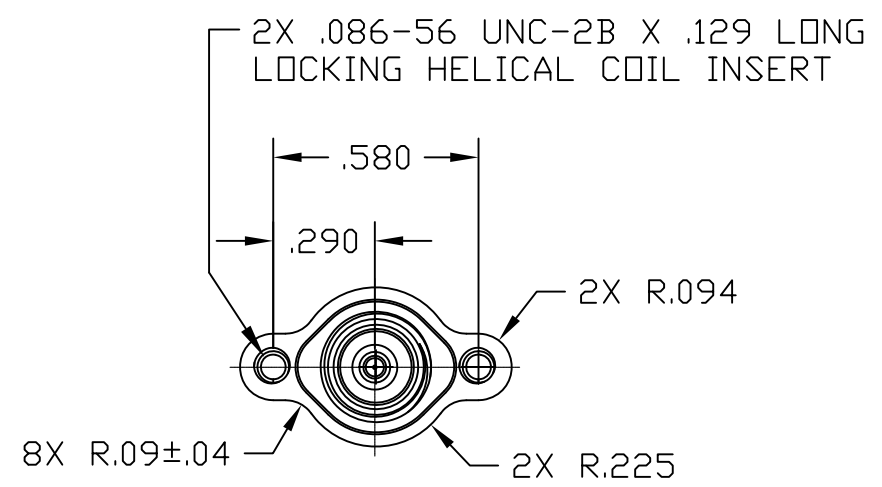
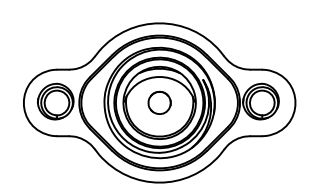


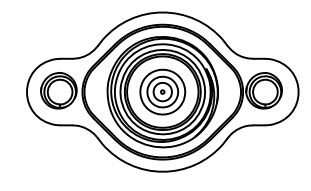
REVISIONS			
LTR	DESCRIPTION	DATE	APPROVED
A1	REVISED PER ECO-14-018804	12/15/2014	L. RODRIGUEZ



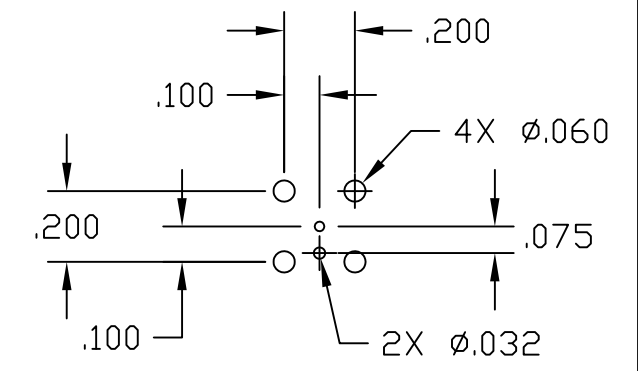
- NOTES:
- 1.0 MATERIALS AND FINISHES.
 - 1.1 HOUSING BODY: BeCu ALLOY, ASTM B196, TB00 OR TD04 AND BRASS 360 HH. TIN PLATED PER ASTM-B545, OVER NICKEL PER MIL-DTL-32119.
 - 1.2 CONTACT INSULATION: POLYETHERSULFONE.
 - 1.3 CONDUCTOR INSULATION (2X): CROSS-LINKED POLYVINYLIDENE FLUORIDE.
 - 1.4 CONDUCTOR LEAD (2X): 22 AWG .027 MAX DIAMETER, TIN PLATED COPPER WIRE.
 - 1.5 GROUND LEADS (4X): .040 TYP DIAMETER, BRASS 360 HH. TIN PLATED PER ASTM-B545, OVER NICKEL PER MIL-DTL-32119.
 - 1.6 LEAD SOLDERABILITY: PER J-STD-002, LESS STEAM AGING.
 - 1.7 ALIGNMENT BUSHING TO BE INSTALLED ON DK-621-0012-SM.
 - 2.0 PERFORMANCE REQUIREMENTS.
 - 2.1 REFER TO RAYCHEM SPECIFICATION D-6025 FOR PRODUCT PERFORMANCE AND QUALIFICATION REQUIREMENTS.
 - 3.0 GENERAL CHARACTERISTICS.
 - 3.1 OPERATING TEMPERATURE: -65°C TO 125°C
 - 3.2 INSULATION RESISTANCE: GREATER THAN 5K MEGOHMS.
 - 3.3 DIELECTRIC STRENGTH: 900 V_{ac} @ 60 Hz.
 - 3.4 CURRENT RATING: 3 AMPS MAX.
 - 3.5 CONTACT RESISTANCE: INITIAL: 8 MILIOHMS MAX.
 - 3.6 MATING COUPLING TORQUE: 10 INCH LBS MAX.



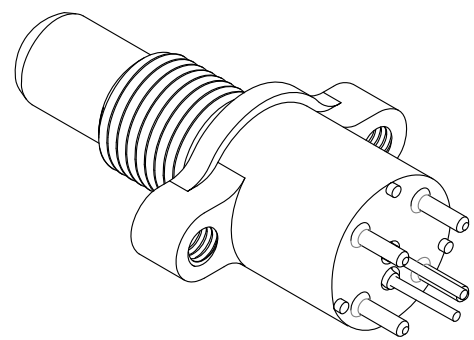
SOCKET CONTACT



PIN CONTACT



PCB HOLE LAYOUT (PREFERRED)



DK-621-0012-SM	D-602-0127	TWISTED PAIR SOCKET ASSEMBLY	DK-621-0011-P
DK-621-0012-PM	D-602-0126	TWISTED PAIR PIN ASSEMBLY	DK-621-0011-S
DESCRIPTION	CONTACT	CONTACT DESCRIPTION	MATING PART
PART ORDERING INFORMATION			

© 2014 TE CONNECTIVITY, ALL RIGHTS RESERVED.

Raychem Databus
CUSTOMER DRAWING

UNLESS OTHERWISE SPECIFIED DIMENSIONS ARE IN INCHES AND TOLERANCES ARE: .XXX ± .005 INCH .XX ± .02 INCH .X ± .1 INCH ANGLE ± 1° 0'	DRAWN: TONY NGUYEN	DATE: 02/01/2013	TE Connectivity		
	CHECKED: PAVANDEEP SINGH	DATE: 02/28/2013			
MATERIAL: SEE NOTES	APPROVED: L. RODRIGUEZ	DATE: 10/24/2014	CONNECTOR, TRIAXIAL, THREADED JACK, PCB MOUNT		
FINISH: SEE NOTES	THIRD ANGLE PROJECTION				
CAD NAME: DK-621-0012-XM		SIZE: B	CODE IDENT. NO.: 06090	DOCUMENT NO.: DK-621-0012-XM	REV: A1
RPN:		SCALE: —	DO NOT SCALE THIS DRAWING	SHEET 1 OF 1	

THIS DRAWING AND THE INFORMATION SET FORTH HEREON ARE THE PROPERTY OF TYCO ELECTRONICS CORPORATION, AND ARE TO BE HELD IN TRUST AND CONFIDENCE. PUBLICATION, DUPLICATION, DISCLOSURE OR USE FOR ANY PURPOSE NOT EXPRESSLY AUTHORIZED IN WRITING BY TYCO ELECTRONICS CORPORATION IS PROHIBITED.