

**FEATURES**

- ※Ultra-low profile with 2.0mm
- ※Sharp detection feeling

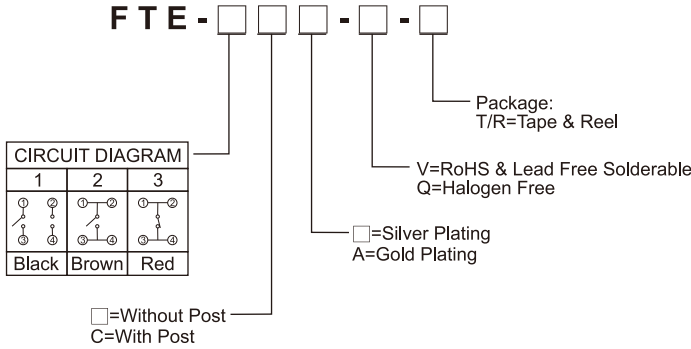
**APPLICATION**

- ※Detection of car audio mechanism
- ※Smoke detector
- ※Notebook

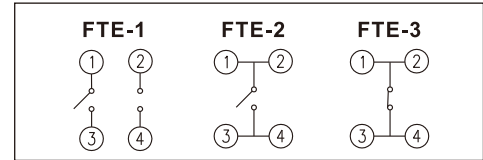
**SPECIFICATION**

Contact Rating	1mA, 5V DC
Contact Resistance	1Ω max.
Insulation Resistance	100MΩ min. 100V DC
Dielectric Strength	100V AC/1 minute
Operating Force	105gf max.
Travel	2.0mm
Operating Life	100,000 cycles
Operating Temp.	-10°C ~ +60°C
Storage Temp.	-40°C ~ +85°C

**HOW TO ORDER**



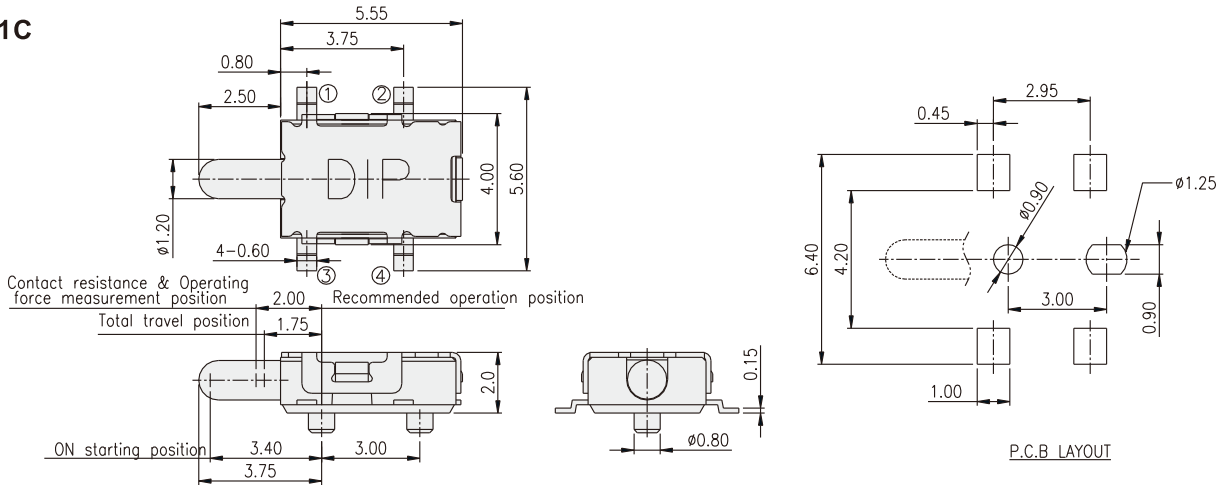
**CIRCUIT**



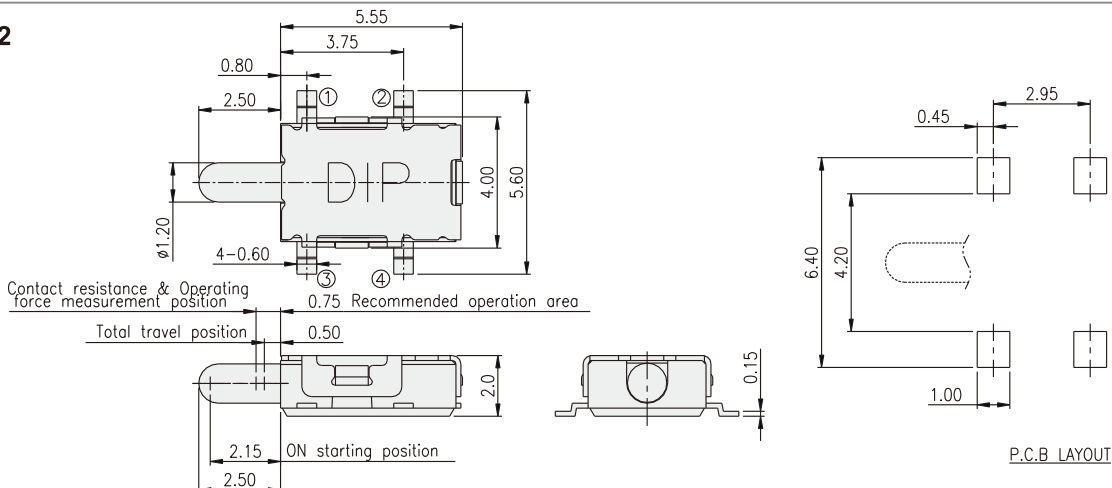
**PACKAGE**

<Tape & Reel>  
3000 pcs

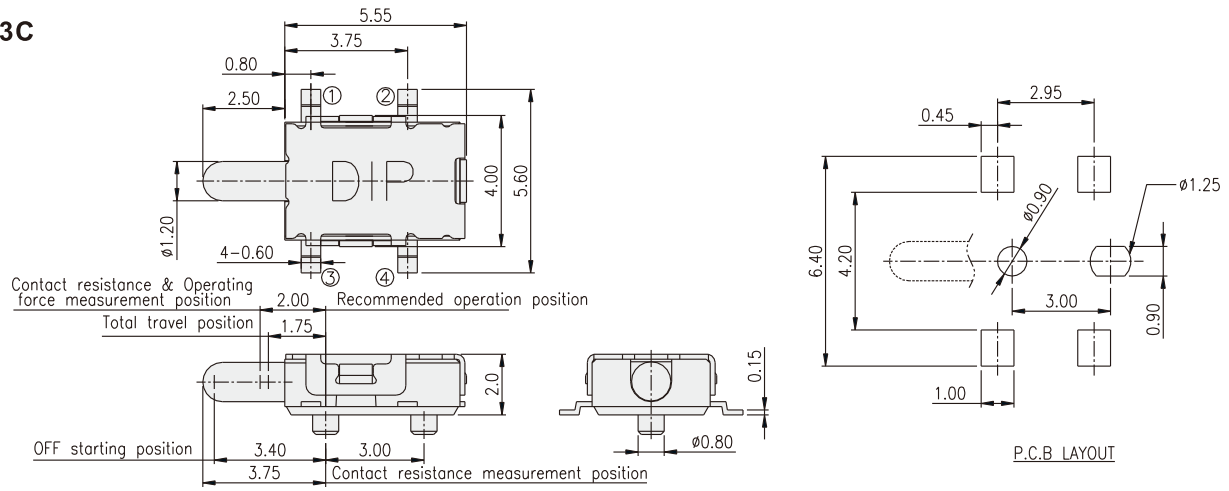
**FTE-1C**



**FTE-2**



**FTE-3C**



# Mouser Electronics

Authorized Distributor

Click to View Pricing, Inventory, Delivery & Lifecycle Information:

[Diptronics:](#)

[FTE-2CA-V-T/R](#) [FTE-3CA-V-T/R](#) [FTE-1CA-V-T/R](#) [FTE-1C-V-T/R](#) [FTE-2C-V-T/R](#) [FTE-3C-V-T/R](#)