

- 1.0 PERFORMANCE (sea level)
- 1.1 FREQUENCY RANGE: DC-11 GHz
- 1.2 VOLTAGE RATING: 1000Vrms
- 1.3 NOMINAL IMPEDANCE: 50 OHMS
- 1.4 DWV: 2,500Vrms 60Hz
- 1.5 TEMPERATURE RANGE: -65 TO +165°C

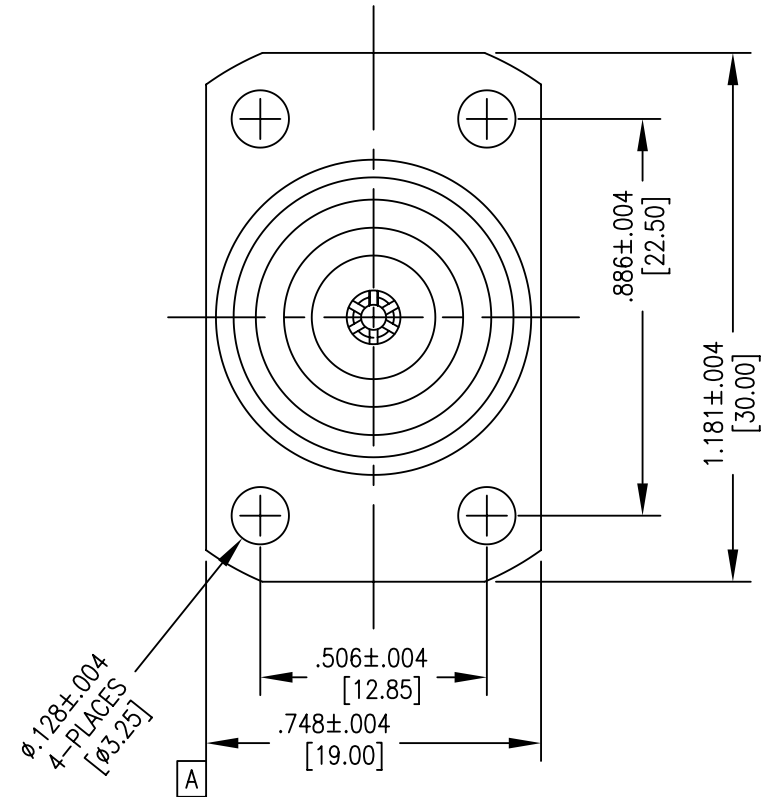
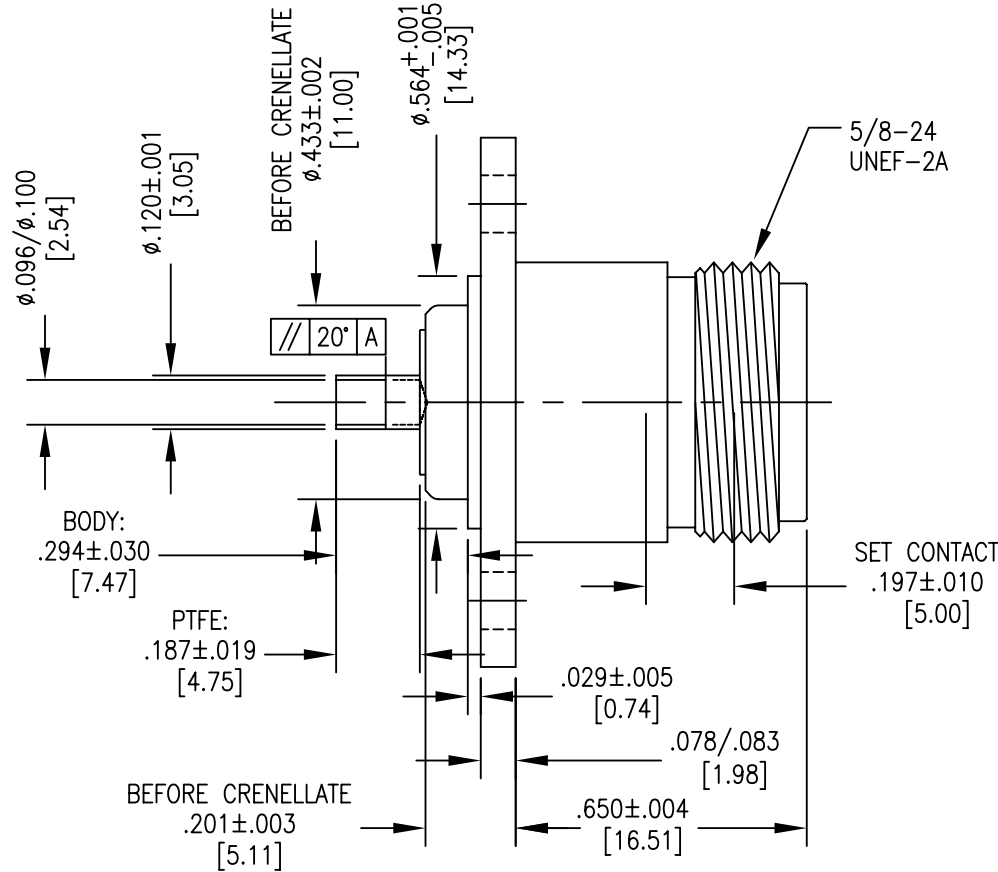
- 2.0 MATERIALS
- 2.1 DIELECTRIC: PTFE
- 2.2 CONTACT: BeCu
- 2.3 BODY: BRASS
- 3.0 FINISHES: PER TABLE

- 4.0 MECHANICAL
- 4.1 INTERFACE PER MIL-STD-348
- 4.2 CONTACT RETENTION
- AXIAL: 6 LBS MIN
- TORQUE: 4 IN*OZ MIN

DWG NO.	OL-0406-292-1	REV.	C
PART NUMBER	BODY	CONTACT	
0406-292-NS	NICKEL	SILVER	

PLATE PER STI 8.2.4-11

DO NOT SCALE DRAWING



Rev.	Revisions	Disp.	Date	Dwn.	Appd.
C	NO DESIGN CHANGE / ADD METRIC	FIFO	10/11/09	FSH	FSH
B	CONTACT WAS 4-SLOT	FIFO	12/12/08	FSH	FSH
A	RELEASE FOR PRODUCTION	NEW	1/30/08		

Ref.: 0406-282-NS	REMOVE ALL BURRS AND SHARP EDGES .005 MAX.	INTERPRET PER ASME Y14.5M-1994
-------------------	--	--------------------------------

THIS DRAWING CONTAINS CONFIDENTIAL INFORMATION PROPRIETARY TO SAN-TRON, INC. IT MUST NOT BE REPRODUCED OR DISCLOSED TO OTHERS OR USED IN ANY OTHER WAY, IN WHOLE OR PART EXCEPT AS AUTHORIZED IN WRITING BY SAN-TRON, INC.

UNLESS OTHERWISE SPECIFIED:
ALL DIMENSIONS ARE IN INCHES.
ALL DIMENSIONS ARE AFTER PLATING.
.XXX = ±.005 ALL MACHINED SURFACES $\frac{32}{\sqrt{\text{MAX.}}}$
.XX = ±.01 ANG. ±1/2° FRACTIONAL = ±1/64
Ⓞ.004 MAX. TIR. ⊥ AXIS .001

THIRD ANGLE PROJECTION

DWN	JTH	1/30/08
CHKD	SJS	1/30/08
APPR	FSH	1/30/08

SAN-TRON, INC.
 4 NEWBURYPORT TPK. IPSWICH MA USA 01938
 TEL: 978-356-1585 FAX: 978-356-1573
 WWW.SANTRON.COM E MAIL: SANTRON@SANTRON.COM

San-Tron

TITLE: N, PANEL RECEPTACLE, 1.18x0.75

MATERIAL: BRASS, PTFE BeCu FINISH: SEE TABLE

CAGE CODE: 50896 DWG NO. OL-0406-292-1 REV. C

SCALE: X:X