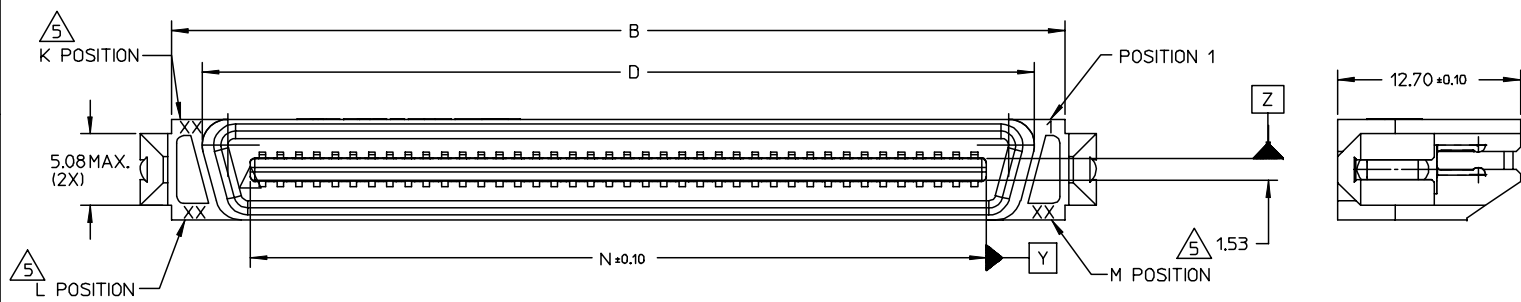
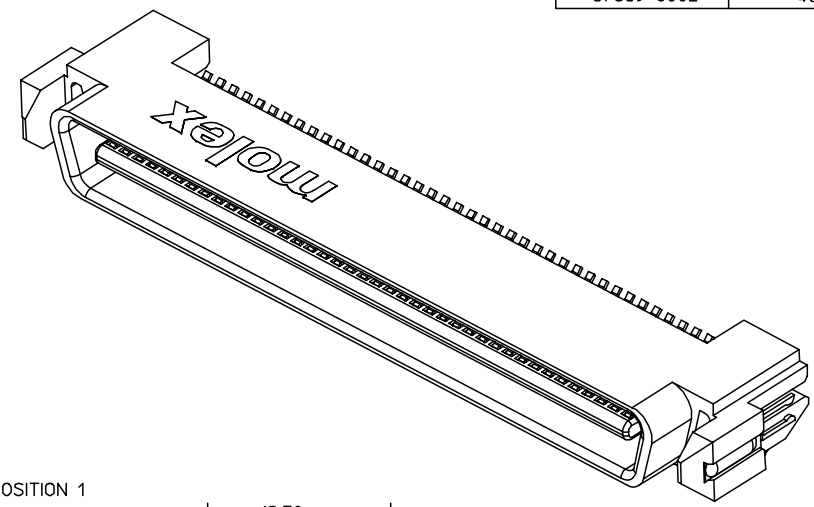
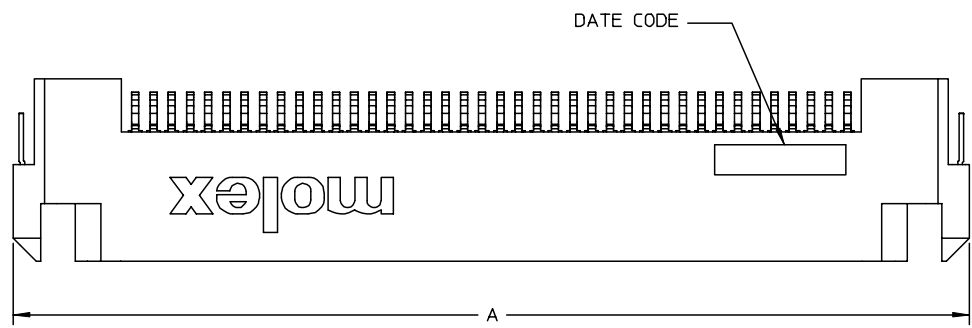


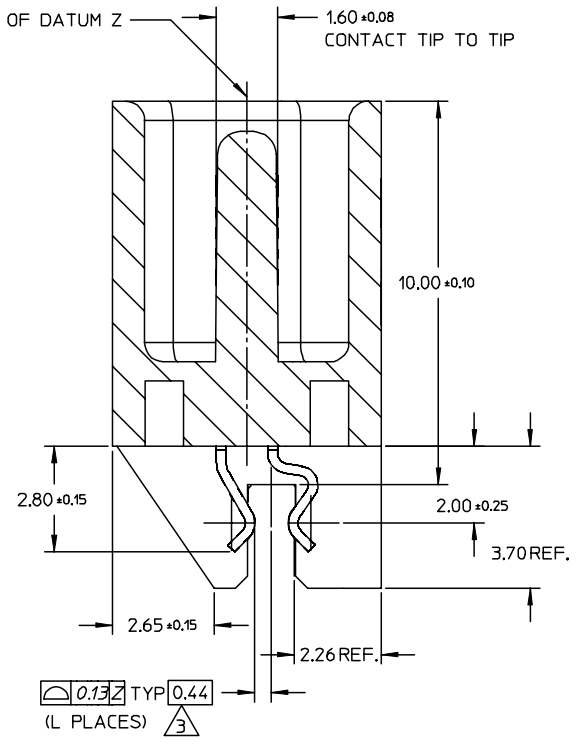
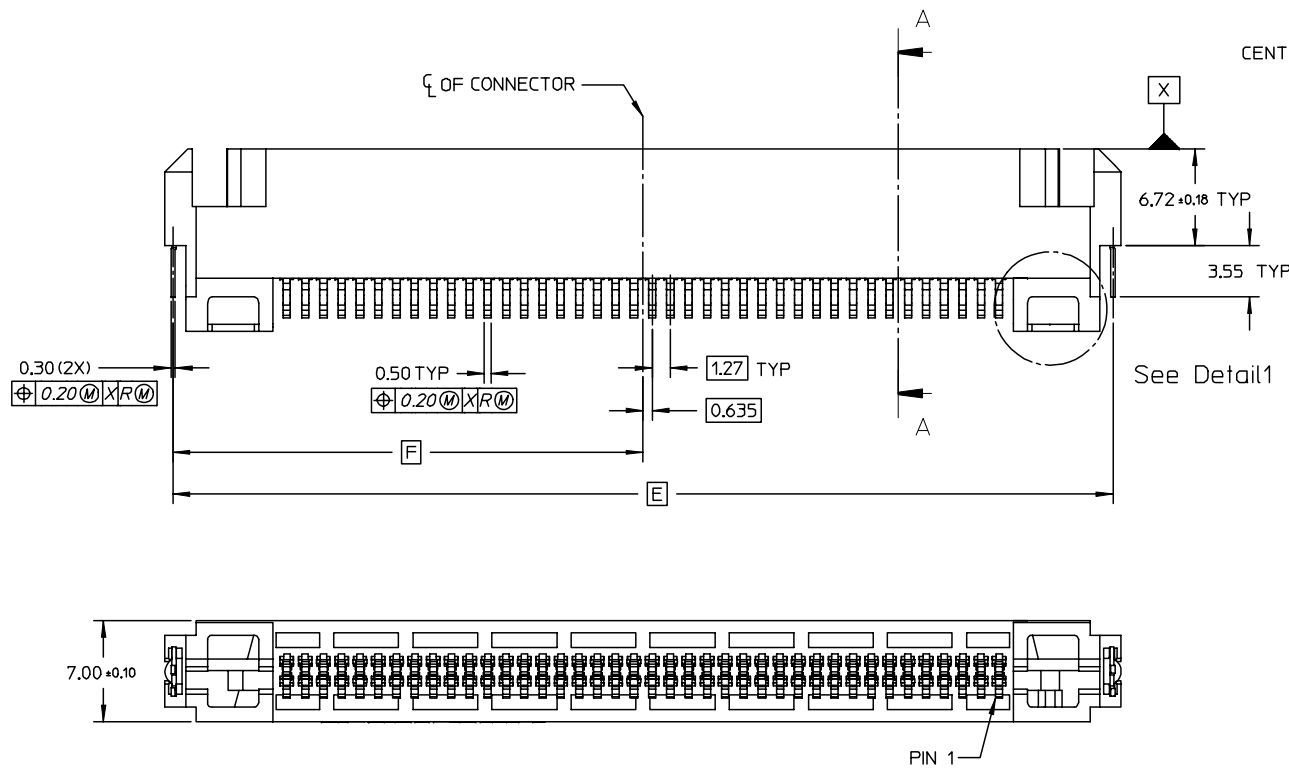
87689	
PART NUMBER	CKT SIZE
87689-0001	80
87689-0002	40



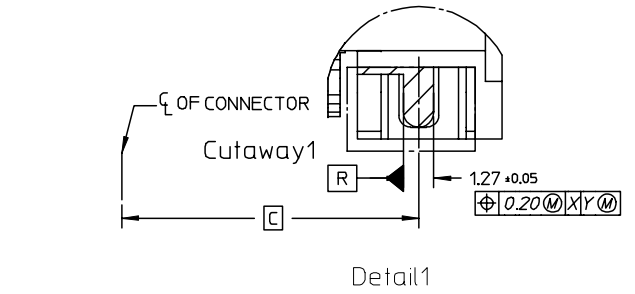
NOTES:

- MATERIAL :
HOUSING : LCP, UL 94V-0 RATED. COLOR : BLACK
TERMINAL : BRASS
ESD CLIP : PHOSPHOR BRONZE
- FINISH:
0.76um MIN GOLD FOR A LENGTH 2.00 STARTING 1.00 MAX. FROM MATING END.
3.81um MIN TIN-LEAD FOR A LENGTH OF 3.43 MIN FROM OPPOSITE END.
BOTH OVER 1.27um MIN NICKEL
- 3.81um MIN TIN-LEAD OVER 1.27um MIN NICKEL
- RECOMMENDED PCB THICKNESS : 1.10+0.10/-0.15mm
- K,L AND M INDICATES NUMBER OF TERMINAL POSITIONS.

EC NO: S2003-0499 DRWN:RSHAN 2003/05/21 CHKD:KC LING 2003/05/21 APPR:SKTOH 2003/05/22	QUALITY SYMBOLS ▽ = 0 ▽C = 0	GENERAL TOLERANCES (UNLESS SPECIFIED)		SCALE NTS	DESIGN UNITS METRIC	THIRD ANGLE PROJECTION	REVISE ON CAD ONLY
		4 PLACES ± --- ± --- 3 PLACES ± --- ± --- 2 PLACES ± 0.15 ± --- 1 PLACE ± --- ± ---	mm INCH	DIMENSION STYLE MM ONLY		TITLE SCA PLUG ASSEMBLY STRADDLE MOUNT 1.27MM PITCH	
A2	DESCRIPTION	ANGULAR ± 1 °		DRAWN BY REGINA SHAN 010916		MATERIAL NO. SEE TABLE	
		DRAFT WHERE APPLICABLE MUST REMAIN WITHIN DIMENSIONS		CHECKED BY K. C. LING 020326		DOCUMENT NO. SD-87689-002	
				APPROVED BY S. K. TOH 020326		SHEET NO. 1 OF 3	
THIS DRAWING CONTAINS INFORMATION THAT IS PROPRIETARY TO MOLEX INCORPORATED AND SHOULD NOT BE USED WITHOUT WRITTEN PERMISSION							

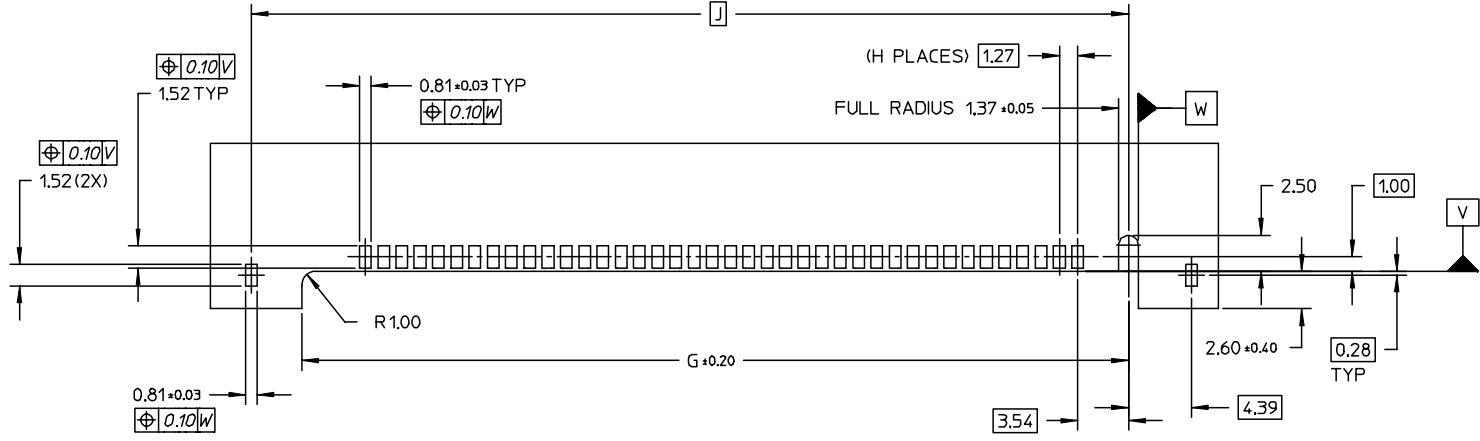


SECTION A-A

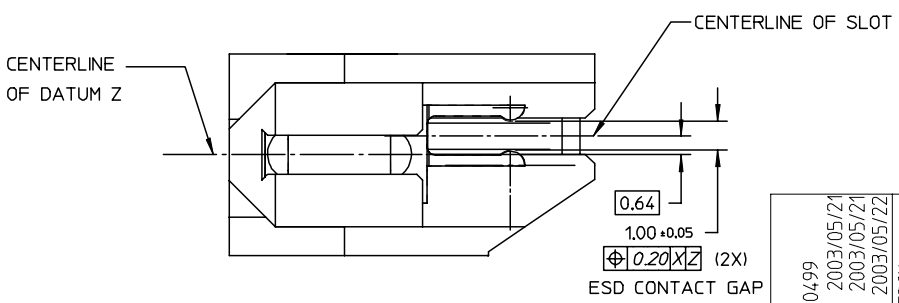


EC NO: S2003-0499 DRWN: RSHAN 2003/05/21 CHKD: KC LING 2003/05/21 APPR: SKTOH 2003/05/22	QUALITY SYMBOLS ▽ = 0 ▽ = 0	GENERAL TOLERANCES (UNLESS SPECIFIED)		SCALE NTS	DESIGN UNITS METRIC	THIRD ANGLE PROJECTION	REVISE ON CAD ONLY
		mm	INCH	DIMENSION STYLE MM ONLY	TITLE SCA PLUG ASSEMBLY STRADDLE MOUNT 1.27MM PITCH		
A2	DESCRIPTION	4 PLACES	± ---	± ---	DRAWN BY REGINA SHAN	DATE 010916	MATERIAL NO. SEE TABLE
		3 PLACES	± ---	± ---	CHECKED BY K. C. LING	DATE 020326	
		2 PLACES	± 0.15	± ---	APPROVED BY S. K. TOH	DATE 020326	SHEET NO. 2 OF 3
		1 PLACE	± ---	± ---	THIS DRAWING CONTAINS INFORMATION THAT IS PROPRIETARY TO MOLEX INCORPORATED AND SHOULD NOT BE USED WITHOUT WRITTEN PERMISSION		
		ANGULAR ± 1 °		MOLEX INCORPORATED			
		DRAFT WHERE APPLICABLE		B			
		MUST REMAIN WITHIN DIMENSIONS					

	10	9	8	7	6	5	4	3	2					
CKT SIZE	A	B	C	D	E	F	G	H	J	K	L	M	N	PACKAGING
80	66.50	62.15	28.30	57.87	65.36	32.68	57.49	39	60.99	40	80	41	51.17	TRAY
40	41.10	36.75	15.60	32.47	39.96	19.98	32.09	19	35.59	20	40	21	25.77	TRAY



RECOMMENDED PCB LAYOUT



EC NO: S2003-0499 DRWN:RSHAN 2003/05/21 CHKD:KC LING 2003/05/21 APPR:SKTOH 2003/05/22	QUALITY SYMBOLS ▽ = 0 ▽ = 0	GENERAL TOLERANCES (UNLESS SPECIFIED) mm INCH 4 PLACES ± --- ± --- 3 PLACES ± --- ± --- 2 PLACES ± 0.15 ± --- 1 PLACE ± --- ± --- ANGULAR ± 1°	SCALE NTS DESIGN UNITS METRIC DIMENSION STYLE MM ONLY DRAWN BY DATE REGINA SHAN 010916 CHECKED BY DATE K. C. LING 020326	THIRD ANGLE PROJECTION REVISE ON CAD ONLY TITLE SCA PLUG ASSEMBLY STRADDLE MOUNT 1.27MM PITCH MOLEX MOLEX INCORPORATED
	DRAFT WHERE APPLICABLE MUST REMAIN WITHIN DIMENSIONS	APPROVED BY DATE S. K. TOH 020326 MATERIAL NO. SEE TABLE DOCUMENT NO. SD-87689-002 SHEET NO. 3 OF 3	THIS DRAWING CONTAINS INFORMATION THAT IS PROPRIETARY TO MOLEX INCORPORATED AND SHOULD NOT BE USED WITHOUT WRITTEN PERMISSION	B