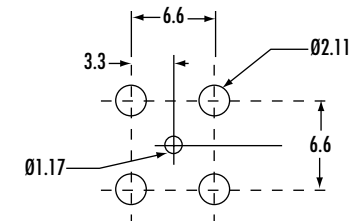
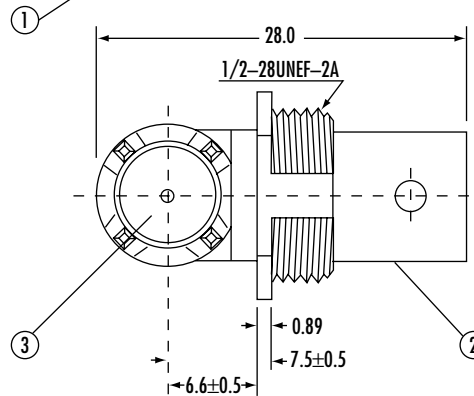
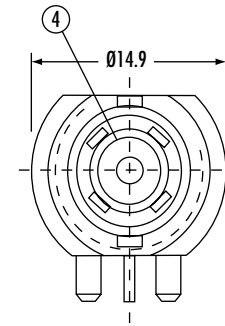
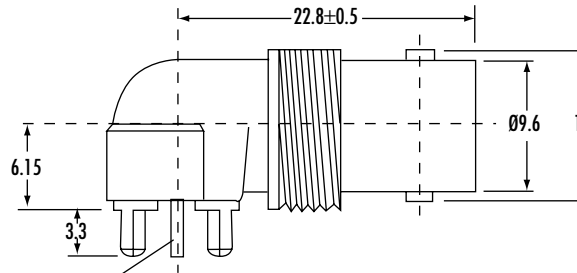
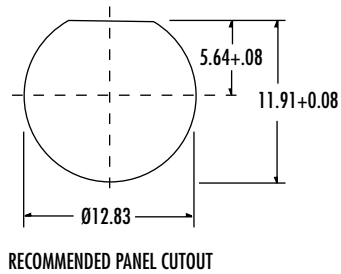


# CTP-BR-L51 (50Ω)

# CTP-7BR-L51 (75Ω)

## RIGHT ANGLE BNC JACK

- 1. CENTER CONTACT: PHOSPHOR BRONZE/30um GOLD PLATING
  - 2. BODY: DIECAST (ZINC #3), NICKEL PLATING
  - 3. INSULATOR: TEFLON
  - 4. INSULATOR: TPX
- IMPEDANCE: 50OHM  
VOLTAGE RATING: 500V RMS  
FREQUENCY RANGE: 0-4 CHz  
INTERFACE PER MIL-C-39012C



RECOMMENDED P.C.B. HOLE CONFIGURATION



Phone 1-800-809-2751

Fax 1-510-440-0579

[www.connect-tech-products.com](http://www.connect-tech-products.com) • [info@connect-tech-products.com](mailto:info@connect-tech-products.com)

4428 Technology Drive • Fremont, CA 94538, USA • 510-498-8815 • Fax: 510-440-0579