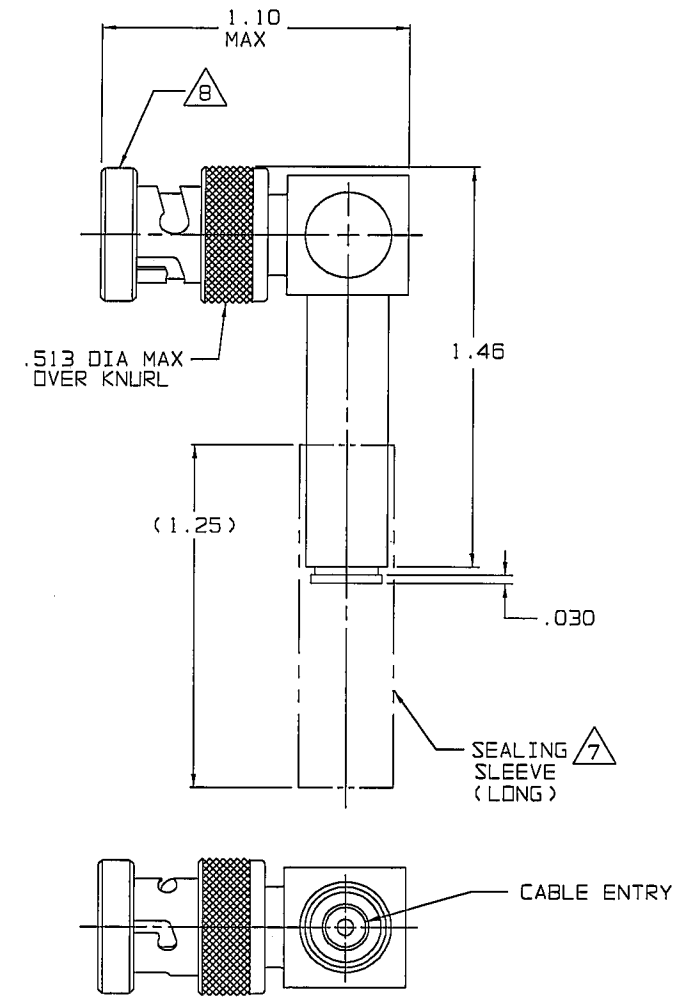
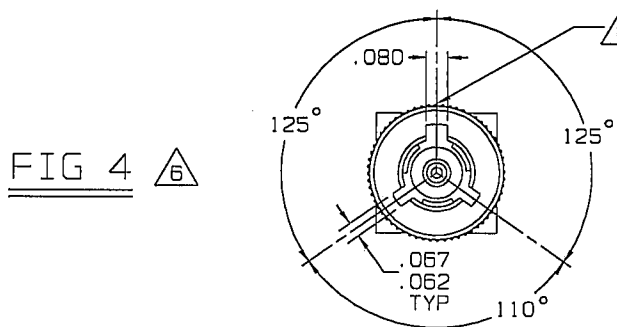
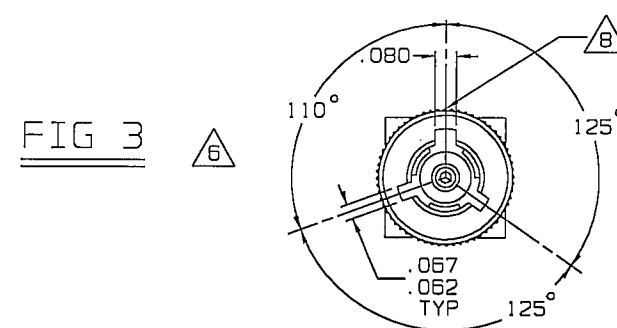
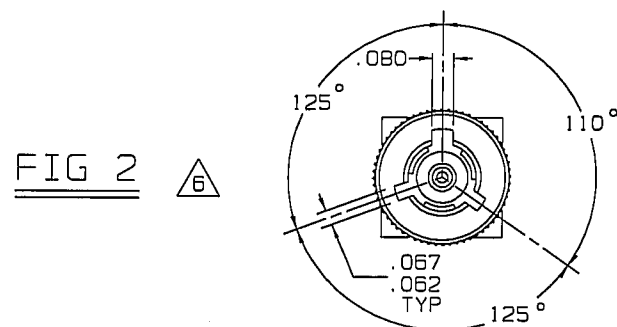
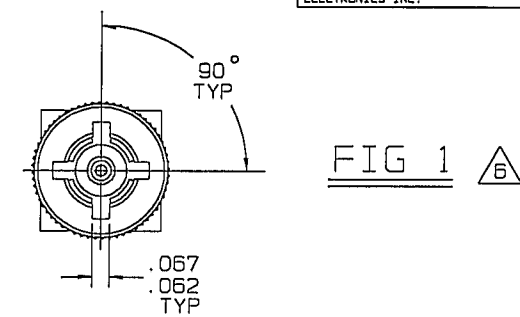


TABLE 1			
DASH NO	MODEL NO	CENTER CONTACT/INTMD CONTACT TYPE	FIG NO
-1	TPLR455CFLP	SOCKET/PIN	1
-2	TPLR455CFLS	PIN/SOCKET	
-3	TPLR455CPP	SOCKET/PIN	2
-4	TPLR455CPS	PIN/SOCKET	
-5	TPLR455CRP	SOCKET/PIN	3
-6	TPLR455CRS	PIN/SOCKET	
-7	TPLR455CWP	SOCKET/PIN	4
-8	TPLR455CWS	PIN/SOCKET	

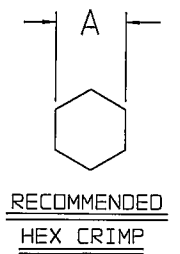
TABLE 2			
CABLE GROUP NO	CABLES ACCOMMODATED	A HEX	ASSEMBLE PER
-201	M17/176-00002	.255	TAI-170
-202	TWC-78-1, TROMPETER		
-203	TWC-124-1A, TROMPETER		
-204	10602, RAYCHEM		
-205	TWAC-78-1F2, TROMPETER		
-206	7825D0130, RAYCHEM		
-208	202-3927, MICRODOT		
-209	202-3942, MICRODOT		
-212	2524E0114, RAYCHEM		
-217	GC875TM24H, GRUMMAN		
-218	EPD22188B, RAYCHEM		
-219	2526D1114, RAYCHEM		
-220	GC875RR1, GRUMMAN		
-221	10614, RAYCHEM		
-222	10613, RAYCHEM		
-223	HMS2-1149, HUGHES		

DATA CONTAINED IN THIS DOCUMENT IS PROPRIETARY TO TROMPETER ELECTRONICS INC. AND SHALL NOT BE DISCLOSED, COPIED OR USED FOR PROCUREMENT OR MANUFACTURE WITHOUT EXPRESS WRITTEN PERMISSION OF TROMPETER ELECTRONICS INC.

REVISIONS		315-0048	SH 1
REV	DESCRIPTION	DATE	APPROVED
C	REVISED PER ECD 14813	11/26/02	AM



-3 -201 SHOWN



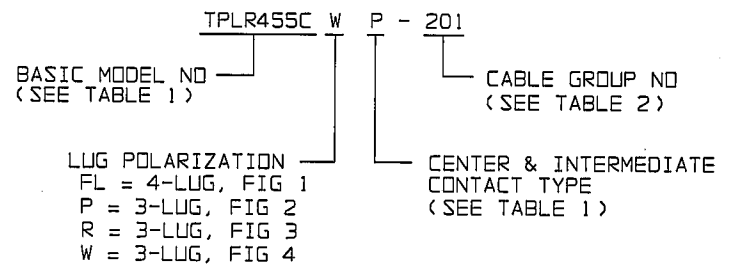
RED INDICATES ORIGINAL

△ THE ONE WIDE (.080) SLOT LOCATION IS SHOWN BY A GREEN ASTERISK OR GREEN DOT ON THE O.D. OF THE BAYONET SLEEVE GUARD-RING FOR -3 & SUBSEQUENT DASH NUMBERS

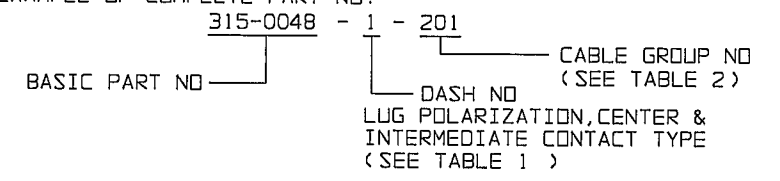
△ SEALING SLEEVE & CRIMP BUSHING SUPPLIED LOOSE WITH EACH CONNECTOR; EXCEPT SEALING SLEEVE NOT USED ON -205, -208 & -223

△ BOTTOM PORTION NOT SHOWN FOR CLARITY

5. EXAMPLE OF COMPLETE MODEL NO:



4. EXAMPLE OF COMPLETE PART NO:



3. CONCENTRIC TWINAX 4 PIECE ASSY, RIGHT ANGLE FULL CRIMP CABLE PLUG, SOCKET CENTER CONTACT AND PIN INTERMEDIATE CONTACT OR PIN CENTER CONTACT AND SOCKET INTERMEDIATE CONTACT

2. FINISH: TFS-1T (500 HRS SALT SPRAY; TIN)

1. ALL DIM ARE IN INCHES

INTERPRET DRAWING PER MIL-STD-100 DIMENSIONS ARE IN INCHES AND INCLUDE FINISH THICKNESS UNLESS OTHERWISE SPECIFIED		TOL.: UNLESS SPECIFIED .XX ±.03 .XXX ±.005 .XXXX ±.005 ANGLES ±0°30'		TROMPETER ELECTRONICS, INC.
DRAWN AAH	DATE 11-22-02	MATERIAL:	TITLE: TPLR455C/FLP/FLS, PP/PS, RP/RS, WP/WS	
CHECKED T. Kim	11-22-02	FINISH:	SIZE B	CAGE CODE 14949
QUALITY 11/26/02			DRAWING NO. 315-0048	REV. C
HANDLING 11/26/02			SCALE NDNE	DATE 3/7/90
APPROVED RM/ash	11/26/02		SHEET 1C	
CAD FILE NO. 315-0048C		DO NOT SCALE DWG		

NEXT ASSY