

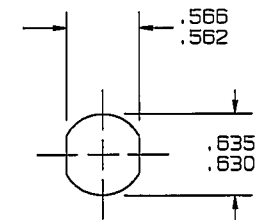
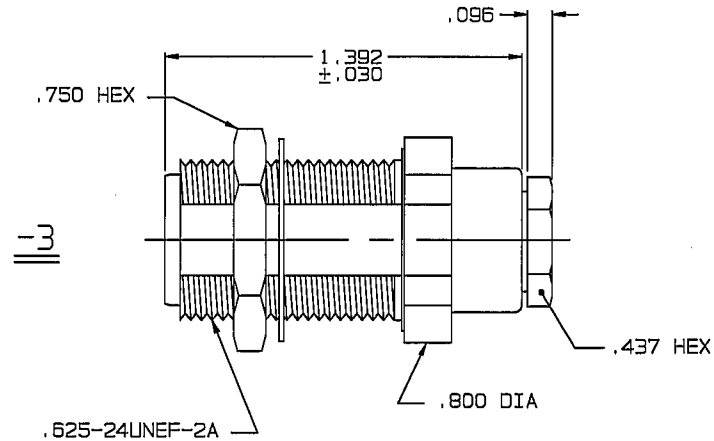
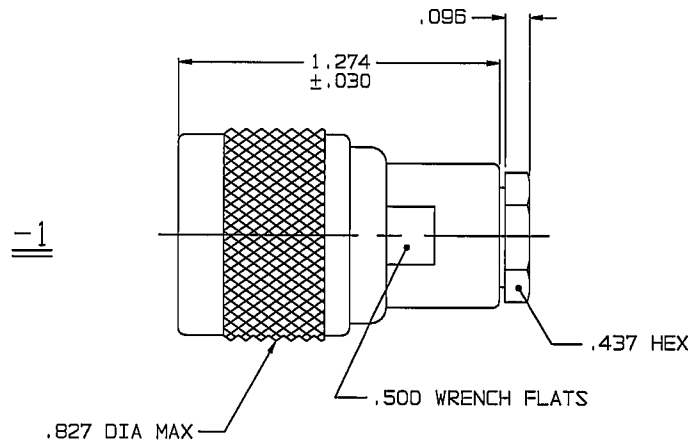
RED INDICATES ORIGINAL

| DASH NO | CONN TYPE | MATERIAL | NOM IMP | ASSEMBLE PER |
|---------|-----------|-----------|---------|--------------|
| -1 | PL95 | 1-0370-6A | 50 | TAI-120 |
| -2 | | | | |
| -3 | BJ95 | 1-0175-6A | | |

DWG SIZE
B

DATA CONTAINED IN THIS DOCUMENT IS PROPRIETARY TO TROMPETER ELECTRONICS INC. AND SHALL NOT BE DISCLOSED, COPIED OR USED FOR PROCUREMENT OR MANUFACTURE WITHOUT EXPRESS WRITTEN PERMISSION.

| REVISIONS | | | 105-1790 | SH 1C |
|-----------|-------|---------------------|----------|--------------------|
| REV | ED | DESCRIPTION | DWN | APPROVED |
| B | 13214 | REMOVED -2; SEE ECO | DKC | <i>[Signature]</i> |
| | | | | DATE 1/10/99 |



RECOMMENDED
PANEL CUTOUT
MAX PNL THK .203
SCALE 1/1

4. REPLACE CLAMP NUT 8-1580-6A WITH CLAMP NUT 8-1580-50 AND REPLACE PIN CONTACT 8-0326 WITH PIN CONTACT 105-0936-101 OR SOCKET CONTACT 8-1388-4 WITH SOCKET CONTACT 105-0936-102

3. 50 OHM COAXIAL TYPE N CABLE PLUG, NONINSULATED BULKHEAD RECEPTACLE FOR OLYMPIC CABLE NO. 6254T

2. FINISH: TFS-1A (NICKEL)

1. ALL DIM ARE IN INCHES

| QTY | DESCRIPTION | | PART NUMBER | ITEM |
|------|---------------------------------------------------------------------|---------|----------------------------------------|-----------------|
| | TOL UNLESS SPECIFIED .XX ± .XXX ± .005 .XXXX ± ANGLES ± | | TROMPETER ELECTRONICS, INC. | 90 SERIES-6254T |
| DWN | DKC | 1-7-00 | MATERIAL | CODE IDENT |
| CHK | <i>[Signature]</i> | 1/10/99 | | 14949 |
| ENGR | <i>[Signature]</i> | | | 105-1790 |
| APPR | <i>[Signature]</i> | 1/10/99 | SCALE | DATE 1-9-97 |
| | | | | SHEET 1C |

NEXT ASSY