

**General Specifications**

Motor Structure: Capacitor-Run Induction Motor  
 Motor Protection: J~K Impedance Protection / L Thermal Protection  
 Insulation Resistance: 100M Ohm or over with DC500V Megger  
 Dielectric Withstand Voltage: AC 1800V 3s  
 Allowable Ambient Temperature Range:  
 -10 degree C ~ +70 degree C (Operating)  
 -40 degree C ~ +70 degree C (Storage)  
 (non-condensing environment)

**Material**

Casing: Aluminum Black Painting  
 Impeller: Plastic (Black) UL94V-0  
 Lead Wire or Terminal: STP-1 2X0.824mm2 AWG22, Faston #110 or equivalent

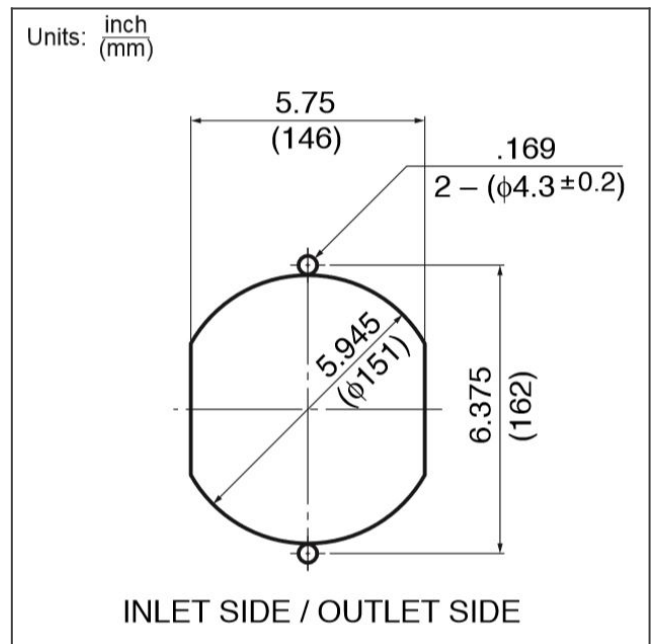
**order part 15038PB-B2L-EPS-00\_60Hz Ball Bearing Fan Plastic Blades Standard AC Axial Fans**

**order part 15038PB-B2L-EPS-00\_60Hz Ball Bearing Fan Plastic Blades Standard AC Axial Fans**

**AC Axial Fans**



**15038PB-B2L-EPS plastic std panel cut out**





## Detailed Specifications

<b>Expected Life:</b>	*Failure rate 10% 25deg.C 100,000 hours
<b>Nominal Voltage:</b>	220[V]
<b>Frequency:</b>	60[Hz]
<b>Starting Voltage:</b>	145[V]
<b>Industry:</b>	Industrial Machines
<b>AC Fans:</b>	Ball Bearing Fan Plastic Blades Standard
<b>Current:</b>	0.23[A]
<b>Input Power (+10% - 20%):</b>	40[V]
<b>Speed:</b>	3150[ $\text{min}^{-1}$ ]
<b>Max. Air Flow:</b>	6.3[ $\text{m}^3/\text{min}$ ]
<b>Max. Air Flow:</b>	225[CFM]
<b>Max. Static Pressure:</b>	163.8[Pa]
<b>Max. Static Pressure:</b>	0.66[In H <sub>2</sub> O]
<b>Noise:</b>	53[dB]
<b>Fan Size:</b>	150[mm]
<b>Fan Width:</b>	38[mm]
<b>Mass:</b>	900[g]