

RED INDICATES ORIGINAL

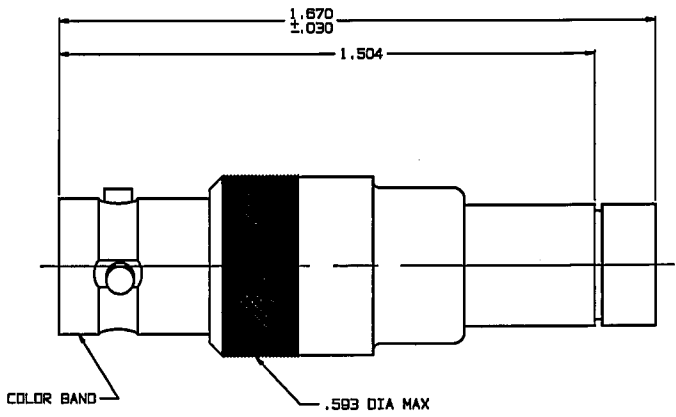
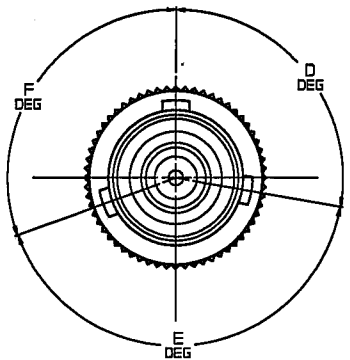
DASH NO	CABLES ACCOMMODATED	ASSEMBLE PER
-201	M17/176-00002	TAI-206
-202	TWC-78-1	
-203	TWC-124-1A	
-204	10602, RAYCHEM	
-205	TWAC-78-1F2	
-206	782600130, RAYCHEM	
-207	83310, BELDEN	
-208	202-3927, MICRODOT	
-209	202-3942, MICRODOT	
-210	8451, BELDEN	
-211	202-3934, MICRODOT	
-212	2524E0114, RAYCHEM	
-213	TWC-78-2	
-214	TWC-124-2	
-215	BL982, TIMES	
-216	BL1242, TIMES	
-217	GC875TM24H, GRUMMAN	
-218	EDP221898, RAYCHEM	
-219	2526D1114, RAYCHEM	
-220	GC875RR1, GRUMMAN	
-221	10614, RAYCHEM	
-222	10613, RAYCHEM	
-223	HMS2-1149, HUGHES	
-224	TWCP-124-3	
-225	PS685PL, PRIME STOCK	

MILITARY PART NO (PIN)	MILITARY CABLE PART NO	TROMPETER PART NO (REF ONLY)
M48142/06-0016	M17/45-RG108	MCJ70MC-213
M48142/06-0116	M17/45-RG108	MCJ70MCY-213
M48142/06-0216	M17/45-RG108	MCJ70MCS-213
M48142/06-0017	M17/176-00002	MCJ70MC-201
M48142/06-0117	M17/176-00002	MCJ70MCY-201
M48142/06-0217	M17/176-00002	MCJ70MCS-201

DWG SIZE C	DATA CONTAINED IN THIS DOCUMENT IS PROPRIETARY TO TROMPETER ELECTRONICS, INC. AND SHALL NOT BE DISCLOSED, COPIED, OR USED FOR REPRODUCTION OR MANUFACTURE WITHOUT EXPRESS WRITTEN PERMISSION.			REVISIONS		3-0298	SH 1
	REV	ED	DESCRIPTION	DWN	APPROVED	DATE	
	A		PRODUCTION RELEASE	TCS			

POLARIZATION CHART				
KEY LETTER	D DEGREES	E DEGREES	F DEGREES	COLOR BAND
NONE	120°	120°	120°	NONE
T	100°	150°	110°	RED
U	120°	130°	110°	DRANGE
V	115°	130°	115°	YELLOW
W	125°	110°	125°	GREEN
X	130°	100°	130°	BLUE
Y	110°	140°	110°	VIOLET
Z	100°	160°	100°	GRAY
S	135°	135°	90°	WHITE

INCH	MM
.005	0.13
.030	0.76
.593	15.06
1.504	38.20
1.670	42.42



- △** WHEN CONNECTOR IS SUPPLIED TO MILITARY PART NO (SEE TABLE 2):
- a) ALL PARTS NORMALLY PLATED TFS-1A OR TFS-1U (NICKEL) ARE TO BE PLATED TFS-1M (SILVER)
 - b) MARK PART WITH MILITARY PIN (SEE TABLE 2) AND "14949"
 - c) QUALITY CONFORMANCE INSPECTION SHALL BE PER MIL-C-48142 SECTION 4.5
4. EXAMPLE OF COMPLETE MODEL NO:
 C J70MC I - 201
 BASIC MODEL NO ——— |
 POLARIZATION LETTER ——— |
 NONE REQD FOR STD POLARIZATION (SEE TABLE 3)
 CABLE GROUP DASH NO (SEE TABLE 1)
3. CONCENTRIC TWINAX 3-LUG TRB, MILITARY FULL CRIMP CABLE RECEPTACLE
 2. FINISH: TFS-1A (NICKEL) **△**
 1. ALL DIMENSIONS ARE IN INCHES



QTY	DESCRIPTION	PART NUMBER	ITEM
TOL UNLESS SPECIFIED .001 ± .002 ± .0005 ± ANGLE	TROMPETER ELECTRONICS, INC.	CJ70MC/TAI/14949	
DWN TCS 12/4/95	MATERIAL △	CODE IDENT 14949	DRAWING NO. 3-0298
CHK ENGR 12/4/95	SCALE 4/1	DATE 12/15/96	REV A
APPR [Signature]	NEXT ASSY		SHEET 1C