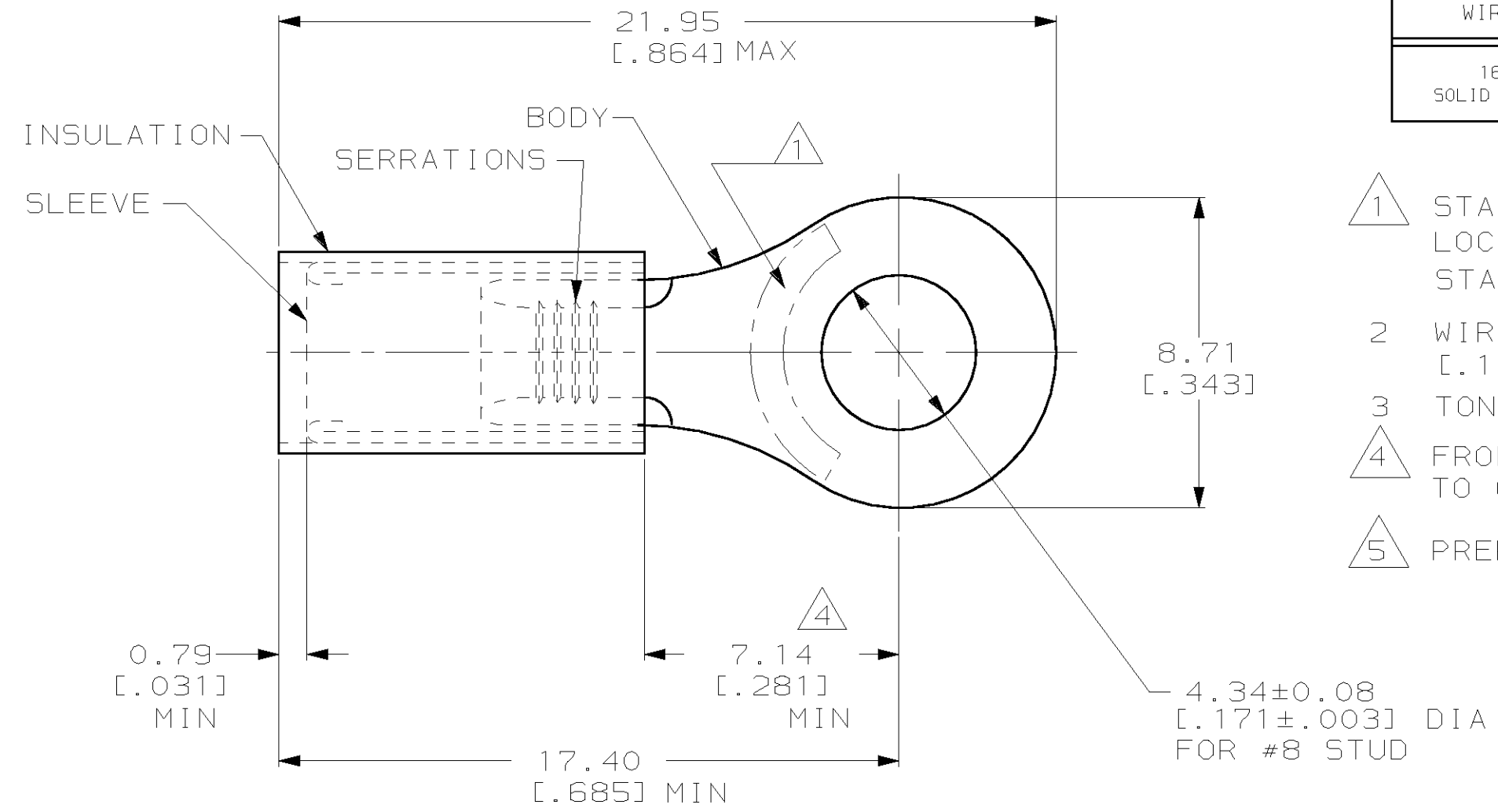


THIS DRAWING IS UNPUBLISHED. RELEASED FOR PUBLICATION ,19 .
 © COPYRIGHT 19 BY AMP INCORPORATED. ALL RIGHTS RESERVED.

LOC	DIST	REVISIONS			
P	LTR	DESCRIPTION	DATE	DWN	APVD
G	14	B	REL PER 063A-0667-01	12DEC01	JR TM

AMP
WIRE RANGE

16-14 AWG
SOLID OR STRANDED



- 1 STAMP AMP16-14*
LOCATED APPROX AS SHOWN
STAMPING MAY BE ON TOP OR BOTTOM
- 2 WIRE INSULATION DIA: 2.92mm-4.32mm
[.115-.170].
- 3 TONGUE MATERIAL THK. 0.84 [.033] MAX.
- 4 FROM EDGE OF METAL WIRE BARREL
TO CENTER OF STUD HOLE.
- 5 PREPRODUCTION - FASR REQUIRED

5000	ON TAPE	2-696240-1
1000	LOOSE PIECE	5 696240-1
QTY	PACKAGE TYPE	PART NO

AMP INCORPORATED CUSTOMER SERVICE SYSTEM		MAX RECOMMENDED OPERATING TEMPERATURE: 105°C [221°F]	THIS DRAWING IS A CONTROLLED DOCUMENT FOR AMP INCORPORATED. IT IS SUBJECT TO CHANGE AND THE CONTROLLING ENGINEERING ORGANIZATION SHOULD BE CONTACTED FOR THE LATEST REVISION.		DWN JR RUTH 27SEP00	AMP AMP Incorporated Harrisburg, PA 17105-3608
FOR ADDITIONAL PRODUCT INFORMATION OR COPIES OF DRAWINGS AND TECHNICAL DOCUMENTS	PRODUCT INFORMATION CENTER 1-800-522-6752	VOLTAGE RATING: 300V MAX	DIMENSIONS: mm [in]	TOLERANCES UNLESS OTHERWISE SPECIFIED: 0 PLC ±- 1 PLC ±- 2 PLC ±0.20 [.008] 3 PLC ±- 4 PLC ±- ANGLES ±-	CHK T MICHIELUTTI 27SEP00	
FOR APPLICATION TOOLING INFORMATION	TOOLING ASSISTANCE CENTER 1-800-722-1111	CIRCULAR MIL AREA: 1.04mm ² -2.62mm ² [2,050-5,180] SOLID OR STRANDED	MATERIAL BODY: COPPER ASTM B-152 SLEEVE: BLUE VINYL	FINISH BODY: TIN PLATE PER ASTM B545	APVD T MICHIELUTTI 27SEP00	PRODUCT SPEC - APPLICATION SPEC 114-2157
FOR ORDER ENTRY	1-800-526-5142				WEIGHT -	SIZE A3
					CAGE CODE 00779	
					DRAWING NO C-696240	
					SCALE 6:1	
					SHEET 1 OF 1	
					REV B	