

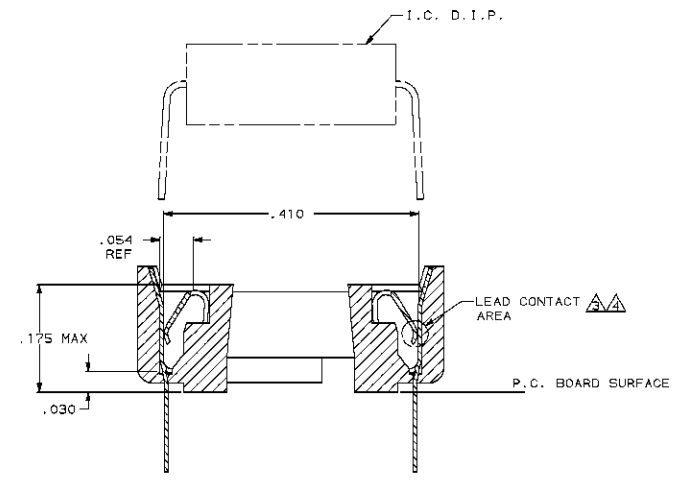
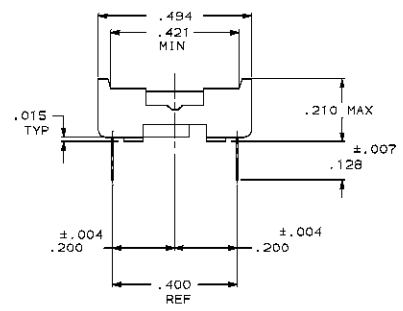
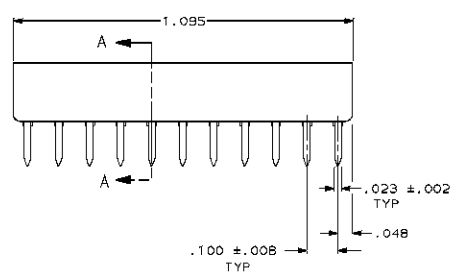
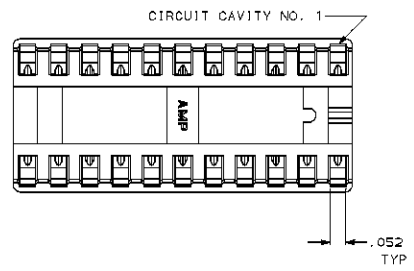
DRAWING MADE IN THIRD ANGLE PROJECTION

THIS DRAWING IS UNPUBLISHED. RELEASED FOR PUBLICATION

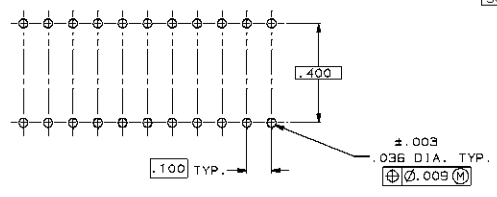
© COPYRIGHT 1981 BY AMP INCORPORATED, HARRISBURG, PA. ALL INTERNATIONAL RIGHTS RESERVED. AMP PRODUCTS MAY BE COVERED BY U.S. AND FOREIGN PATENTS AND/OR PATENTS PENDING.

LOC				REVISIONS				
FT	DTST	P	F	ZONE	LTR	DESCRIPTION	DATE	APPD
	64				S	SUPSD 2-S PER 0160-4756-95	7-11-88	
					T	REV PER EC 0320-138-97	16 MAY 89	GJ

- RECEPTACLE ACCEPTS A .008-.014 THICK I.C. LEAD.
 - TUBE LOADED FOR AUTOMATIC INSERTION.
- ⚠ TWO .000030 MIN THK. GOLD STRIPES IN CONTACT AREA WITH TIN-LEAD (93/7) ON CONTACT LEGS, BALANCE OF CONTACT NICKEL PLATED.
 - ⚠ TWO .000015 MIN THK. GOLD STRIPES IN CONTACT AREA WITH TIN-LEAD (93/7) ON CONTACT LEGS, BALANCE OF CONTACT NICKEL PLATED.



SECTION A-A
SCALE 10:1



RECOMMENDED MOUNTING HOLE PATTERN
SCALE 4:1

SUPERSEDED BY 2-641603-3	TINNED	PHOS. BRZ. .008 THK	GLASS-FILLED THERMOPLASTIC, 94V-0, BLACK	2-641603-5
SUPSD BY 2-640360-4	⚠	PHOS. BRZ. .008 THK	GLASS-FILLED THERMOPLASTIC, 94V-0, BLACK	2-641603-4
	TINNED	PHOS. BRZ. .008 THK	GLASS-FILLED THERMOPLASTIC, 94V-0, BLACK	2-641603-3
SUPSD BY 2-640360-2	⚠	BE. CU. .008 THK	GLASS-FILLED THERMOPLASTIC, 94V-0, BLACK	2-641603-2
	TINNED	BE. CU. .008 THK	GLASS-FILLED THERMOPLASTIC, 94V-0, BLACK	2-641603-1

CONTACT FINISH	CONTACT MAT'L	HOUSING MATERIAL	PART NO.
UNLESS OTHERWISE SPECIFIED DIMENSIONS ARE IN INCHES TOLERANCES ON:			
DR M. CYRUS 8-17-87		AMP INCORPORATED	
CHK R. MILLER 8-31-87		Harrisburg, Pa. 17106	
APPD J. LAMBERT 9-4-87		NAME	
MATERIAL		SOCKET ASSY, DIP, LADDER, 22 POS, DIPLOMATE™ DL	
SEE TABLE		PRODUCT SPEC 108-1066	
FINISH		APPLICATION SPEC 114-1049	
SEE TABLE		WEIGHT	
SIZE D	FSCH NO 00779	DRAWING NO 641603	PART NO
SCALE 5:1		SHEET 1 OF 1	

CUSTOMER DRAWING