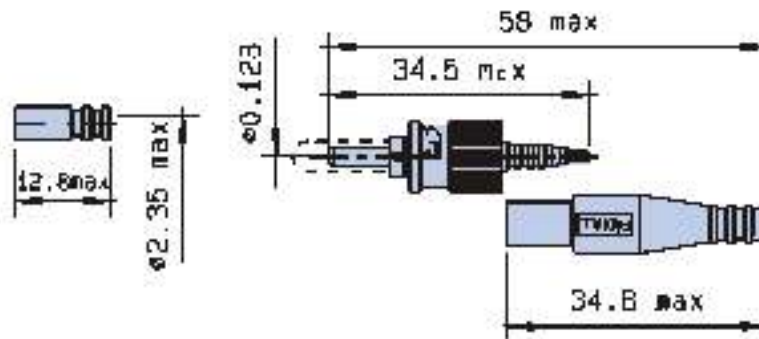


## ST II style, secure crimping

Cable diameter (mm)	Ceramic ferrule size	Description	Packaging	
			1	100
2 to 2.2mm (cable)	128 multimode	Connector body, black boot, crimp ferrule	F 709 097 000	F 709 097 200
2.5mm (cable)	128 multimode	Connector body, black boot, crimp ferrule	F 709 099 000	F 709 099 200
2.7 to 3mm (cable)	128 multimode	Connector body, black boot, crimp ferrule	F 709 098 000	F 709 098 200
2 to 2.2mm (cable)	126 singlemode	Connector Body, black boot, crimp ferrule.	F 709 095 000	F 709 095 200
2.7 to 3mm (cable)	126 singlemode	Connector body, black boot, crimp ferrule.	F 709 096 000	F 709 096 200



Dimensions in mm

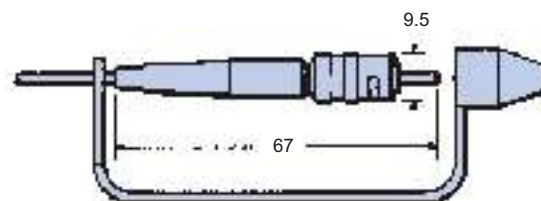
## BeST Fully floating ferrule connector



The beST patented design overcomes the problem of the dependence of optical performance on applied cable loads. It provides highest quality and performance to both multimode and singlemode applications. Secure crimping option.

*For tight jacket cable.*

Cable diameter (mm)	Ceramic ferrule size	Description	Packaging unit
2.7 to 3.5 mm	128 multimode	Connector body, grey boot, crimp ferrule	F 709 054 000
2.7 to 3.5 mm	125 singlemode	Connector body, grey boot, crimp ferrule	F 709 070 705
2.7 to 3.5 mm	126 singlemode	Connector body, grey boot, crimp ferrule	F 709 070 706



Dimensions in mm

mm to inch : 0.03937