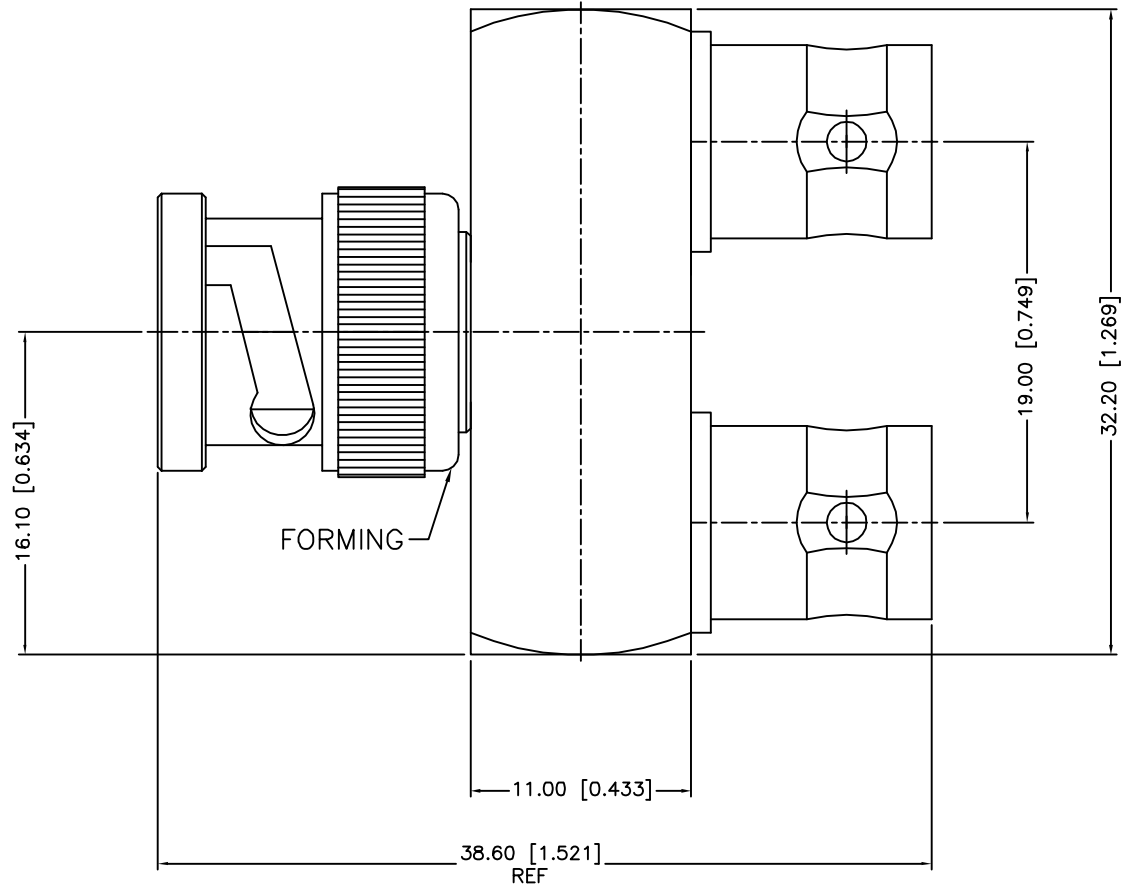


REV.	DATE	ECR NO	DESCRIPTION
A	09/04/09	----	RELEASE TO MFG



QTY	DESCRIPTION	MATERIAL	FINISH	QTY
2	COVER	BRASS	NICKEL	2
1	GASKET	RUBBER	RED	1
1	RETAINER RING	BRASS	NICKEL	1
1	SPRING	SK5	NICKEL	1
1	WASHER	BRASS	NICKEL	1
1	SHELL	BRASS	NICKEL	1
4	INSULATOR	TEFLON	NATURAL	4
2	CONTACT PIN	BRASS	GOLD	2
2	CONTACT PIN	PHOSPHOR BRONZE	GOLD	2
3	BODY	BRASS	NICKEL	3
1	HOUSING	BRASS	NICKEL	1
	DESCRIPTION	MATERIAL	FINISH	QTY

UNLESS OTHERWISE SPECIFIED DIMENSIONS ARE IN MILLIMETERS. DIMENSIONS IN [] ARE IN INCHES AND FOR CUSTOMER REFERENCE ONLY.

UNLESS OTHERWISE SPECIFIED TOLERANCES FOR MILLIMETERS ARE:
0.5 - 8mm ± 0.20mm
8 - 30mm ± 0.40mm
30 - 120mm ± 0.50mm

UNLESS OTHERWISE SPECIFIED TOLERANCES FOR INCHES ARE:
.020 - .315 = ± 0.007"
.315 - 1.180 = ± 0.015"
1.180 - 4.724 = ± 0.020"

APPROVALS	DATE
DRAWN CLEMENT	09/04/09
CHECKED	
ISSUED	
SHEET 1 OF 1	
CAD FILE	C:/112/112771.DWG

<h1>AMPHENOL CONNEX</h1>			
PART DESCRIPTION BNC JACK/PLUG/JACK ADAPTER GOAL POST			
PART NO.		112771	
DWG. NO.	112771.DWG	REV. A	SCALE NA

DO NOT SCALE DRAWING