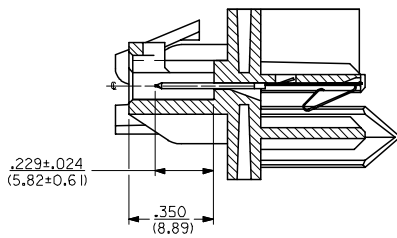
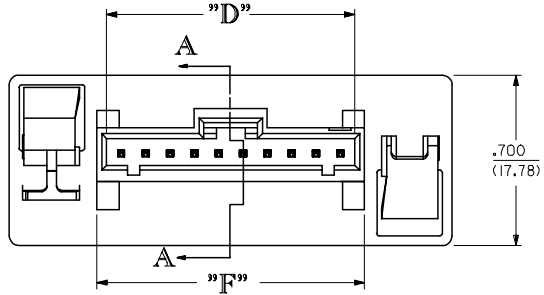
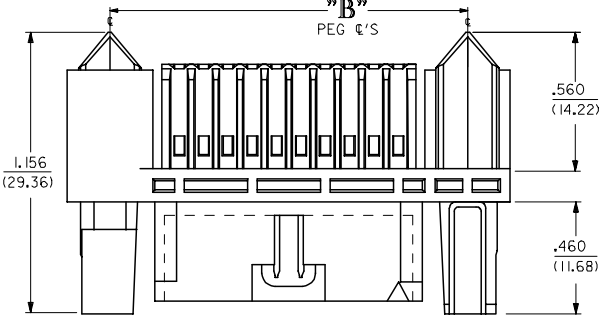
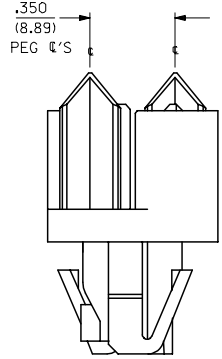
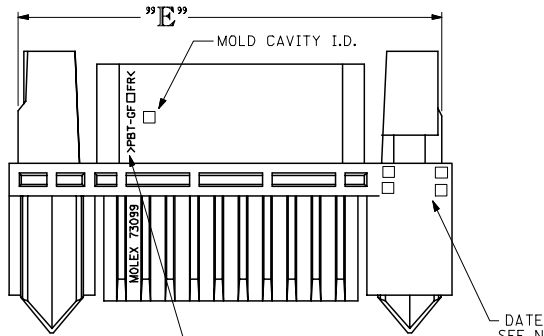


STANDARD SL
OPTION (TYPE "A")
73099-02XX
OR
73099-92XX

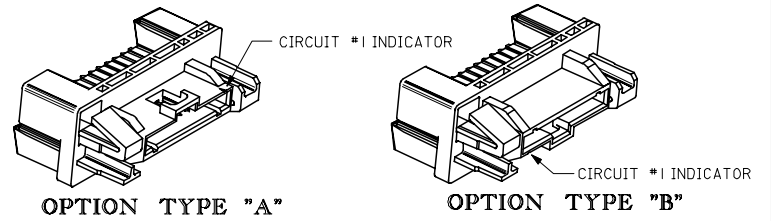


SECTION A-A



DATE CODE
SEE NOTE 5

SEE NOTE 6.

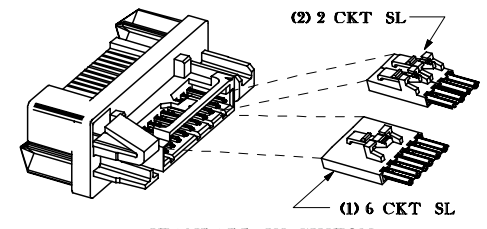


OPTION TYPE "A"

OPTION TYPE "B"

OPTION "A" VS OPTION "B"

OPTION "A" MATED TO OPTION "A": CKT. 1 MATCHES WITH CKT. 1
OPTION "A" MATED TO OPTION "B": CKT. 1 MATCHES WITH CKT. 10
(BOTH OPTIONS "A" AND "B" PICTURED ABOVE ARE OF
STANDARD DRAWER VARIATION - SEE NOTE 9.)



STANDARD VS CUSTOM

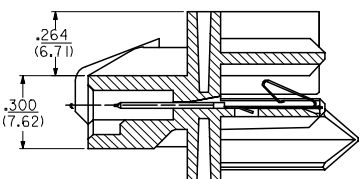
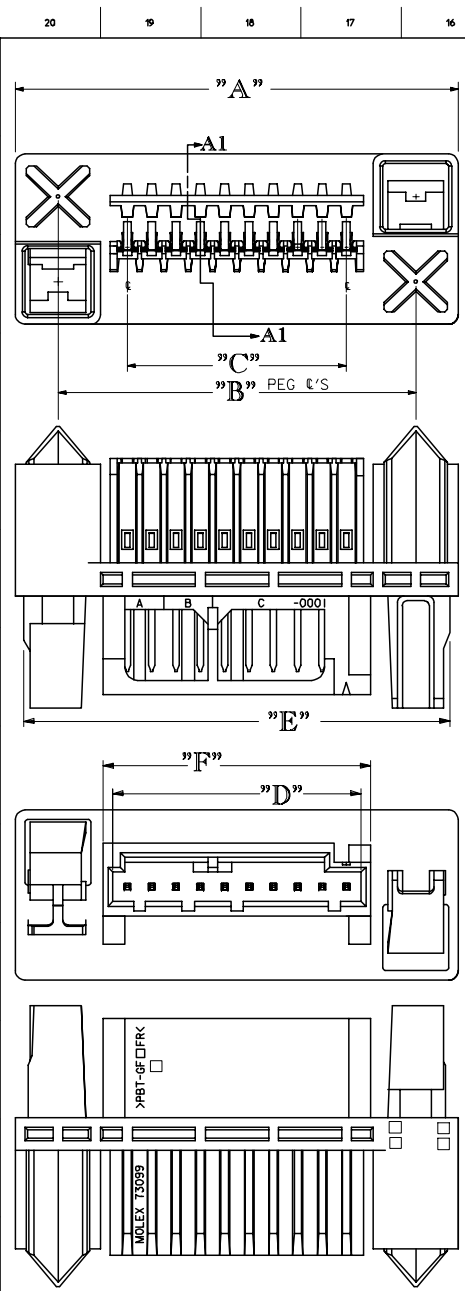
SEE NOTE 8. AND 9. (CUSTOM 10 CKT. PICTURED)

NOTES:

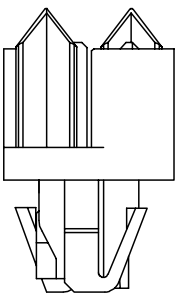
- MATERIAL:
HOUSING: GLASS FILLED POLYESTER UL 94V-0, COLOR BLACK.
TERMINAL: BERYLLIUM COPPER
- PLATING:
.000050 U' (.27 MICRON) MIN. GOLD PLATE ON CANTILEVER AREA, .000015 MIN. GOLD PLATE ON SELECT SL TAIL AREA, NICKEL PLATE OVER-ALL.
- SEE SHEET 4 FOR PART NUMBERS AND TABULATED DIMENSIONS.
- PRODUCT CONFORMS TO PS-73099-*****.
- HOT STAMP DATE CODE IS WEEK, YEAR.
- RECYCLING LOGO TO APPEAR WHERE ROOM IS AVAILABLE.
- SEE SHEET 3 FOR PANEL MOUNTING AND MATING DETAILS.
- 73099-***** CONNECTOR ALSO MATES WITH "SL" SERIES 70066, 70400, AND 70430.
- PRODUCT DESCRIBED AS 'STANDARD' MATES ONLY WITH EQUIVALENT CKT. SIZE CONNECTOR (10 CKT. DRAWER CONNECTOR TO 10 CKT. SL). PRODUCT DESCRIBED AS 'CUSTOM' ALLOWS A PREDETERMINED COMBINATION OF SL CONNECTORS WITH VARYING CIRCUIT SIZES TO BE USED WHEN THE COMBINATION'S TOTAL CIRCUITS ADD UP TO THE DRAWER CONNECTOR'S CIRCUIT SIZE (10 CKT. DRAWER CONNECTOR TO TWO 2 CKT. & ONE 6 CKT. SL).

4	A
3	A
2	A
1	A
SHT REV	

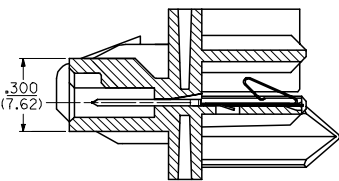
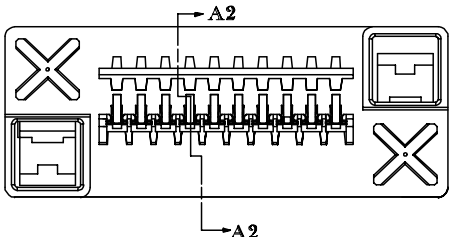
INITIAL RELEASE EC NO. UCP2006-0364 2005/11/12 DRWNSWART CHKD:BBARKER 2005/12/19 APPR:SMILLER 2005/12/19 DESCRIPTION A	QUALITY SYMBOLS	GENERAL TOLERANCES (UNLESS SPECIFIED)	DIMENSION STYLE IN/MM	SCALE 4:1	DESIGN UNITS INCH	THIRD ANGLE PROJECTION	SHEET NO. 1 OF 4
	$\nabla=0$ $\nabla=0$	4 PLACES ± --- ± --- 3 PLACES ± --- ± .010 2 PLACES ± 0.25 ± .014 1 PLACE ± 0.36 ± --- ANGULAR ±1/2°	DRAWN BY MIBARRA DATE 2005/11/23 CHECKED BY BBARKER DATE 2005/11/23 APPROVED BY SMILLER DATE 2005/11/23	TITLE	HERMAPHRODITIC SL DRAWER CONNECTOR SALES ASSEMBLY	MATERIAL NO.	DOCUMENT NO. SD-73099-001
	DRAFT WHERE APPLICABLE MUST REMAIN WITHIN DIMENSIONS	SEE TABLE	THIS DRAWING CONTAINS INFORMATION THAT IS PROPRIETARY TO MOLEX INCORPORATED AND SHOULD NOT BE USED WITHOUT WRITTEN PERMISSION				
	SIZE D						



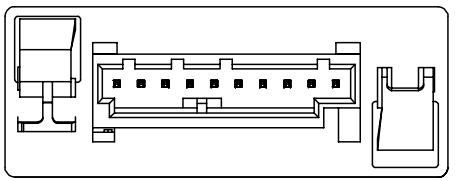
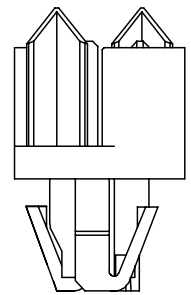
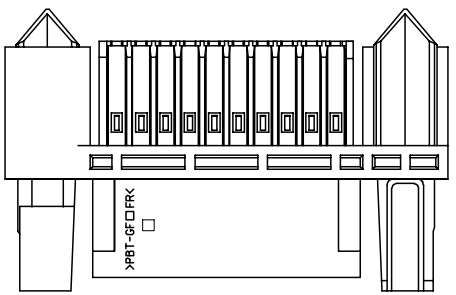
SECTION A1-A1



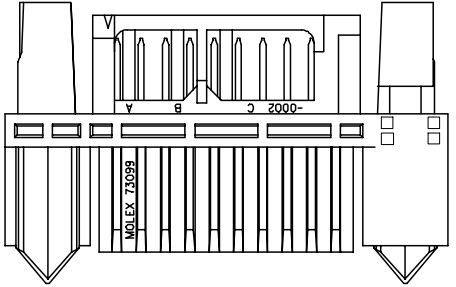
73099-9001
OPTION TYPE "A"



SECTION A2-A2



73099-9002
OPTION TYPE "B"



CUSTOM 10 CKT (OPTION "A" AND "B")

CUSTOM 10 MATES WITH THE FOLLOWING "SL" CIRCUIT SIZE COMBINATIONS:

- 1) 2 CKT., 2CKT., AND 6 CKT.
- 2) 4 CKT. AND 6 CKT.
- 3) 2 CKT. AND 8 CKT.
- 4) 10 CKT.

INITIAL RELEASE EC NO: UCP2006-0364 DRWNSMART 2005/11/12 CHKDBARKER 2005/12/19 APPR: SMILLER 2005/12/19 REV A	QUALITY SYMBOLS ▽=0 ▽=0	GENERAL TOLERANCES (UNLESS SPECIFIED)		DIMENSION STYLE IN/MM		SCALE 4:1	DESIGN UNITS INCH	THIRD ANGLE PROJECTION
		4 PLACES ± .005 ± .005 3 PLACES ± .005 ± .010 2 PLACES ± 0.25 ± .014 1 PLACE ± 0.36 ± .014 ANGULAR ±1/2°	DRAWN BY MIBARRA DATE 2005/11/23	CHECKED BY BBARKER DATE 2005/11/23	APPROVED BY SMILLER DATE 2005/11/23	TITLE HERMAPHRODITIC SL DRAWER CONNECTOR SALES ASSEMBLY	DOCUMENT NO. SD-73099-001	
DRAFT WHERE APPLICABLE MUST REMAIN WITHIN DIMENSIONS		SEE TABLE		THIS DRAWING CONTAINS INFORMATION THAT IS PROPRIETARY TO MOLEX INCORPORATED AND SHOULD NOT BE USED WITHOUT WRITTEN PERMISSION				

PANEL DIMENSIONS

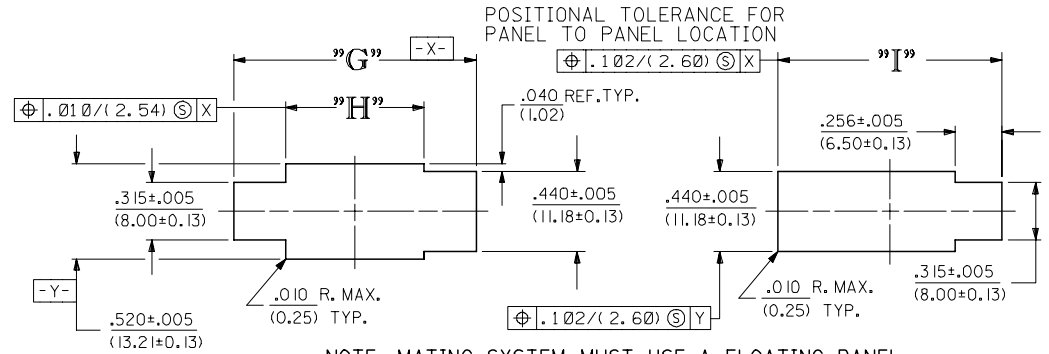
CKT. SIZE	DIM. "G" ± 0.010 (± 0.25)		DIM. "H" ± 0.010 (± 0.25)		DIM. "I" ± 0.010 (± 0.25)	
	INCH	(MM)	INCH	(MM)	INCH	(MM)
04	1.230	(31.24)	.660	(16.76)	1.128	(28.65)
06	1.430	(36.32)	.860	(21.84)	1.328	(33.73)
08	1.630	(41.40)	1.060	(26.92)	1.528	(38.81)
10	1.830	(46.48)	1.260	(32.00)	1.728	(43.89)
12	2.030	(51.56)	1.460	(37.08)	1.928	(48.97)

FLOATING PANEL VIEW

VIEW FROM PUNCH SIDE
(SCALE 3:1)

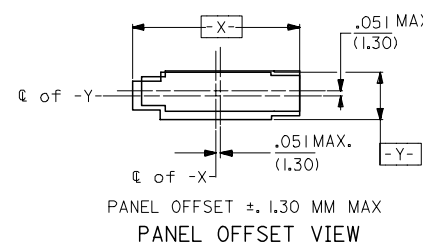
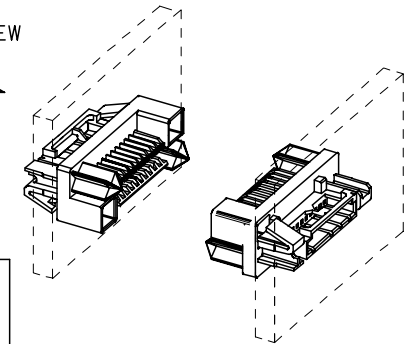
NON-FLOATING PANEL VIEW

VIEW FROM PUNCH SIDE
(SCALE 3:1)

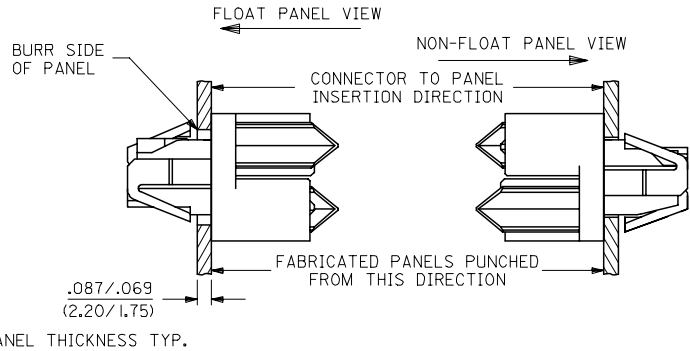


NOTE: MATING SYSTEM MUST USE A FLOATING PANEL IN CONJUNCTION WITH A NON-FLOATING PANEL.

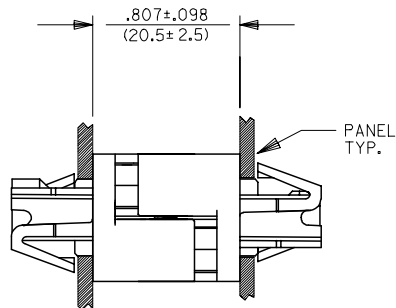
PANEL OFFSET VIEW



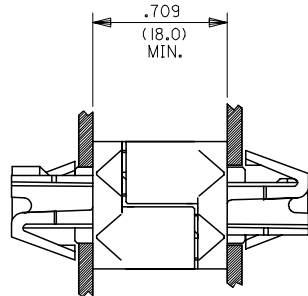
PANEL OFFSET ± 1.30 MM MAX
PANEL OFFSET VIEW



OPERATING PANEL CLOSURE DIMENSIONS



FULLY CLOSED CONNECTOR



INITIAL RELEASE EC NO. UCP2006-0364 DRAWNSWART 2005/11/12 CHKDBARKER 2005/12/19 APPR:SMILLER 2005/12/19	QUALITY SYMBOLS ▽=0 ▽=0	GENERAL TOLERANCES (UNLESS SPECIFIED)		DIMENSION STYLE		SCALE	DESIGN UNITS	THIRD ANGLE PROJECTION
		mm	INCH	IN/MM		---	INCH	
		4 PLACES \pm ---	\pm ---	DRAWN BY	DATE	TITLE		
		3 PLACES \pm ---	± 0.10	MIBARRA	2005/11/23	HERMAPHRODITIC SL DRAWER CONNECTOR SALES ASSEMBLY		
		2 PLACES ± 0.25	± 0.14	CHECKED BY	DATE	MOLEX		MOLEX INCORPORATED
		1 PLACE ± 0.36	\pm ---	SMILLER	2005/11/23	SD-73099-001		
		ANGULAR $\pm 1/2^\circ$		MATERIAL NO.		DOCUMENT NO.	SHEET NO.	
DRAFT WHERE APPLICABLE MUST REMAIN WITHIN DIMENSIONS		SEE TABLE		SD-73099-001		3 OF 4		
THIS DRAWING CONTAINS INFORMATION THAT IS PROPRIETARY TO MOLEX INCORPORATED AND SHOULD NOT BE USED WITHOUT WRITTEN PERMISSION								

"STANDARD" DRAWER
PART NUMBERS

ASSEMBLY PART NUMBERS AND
DIMENSIONS BY CIRCUIT SIZE

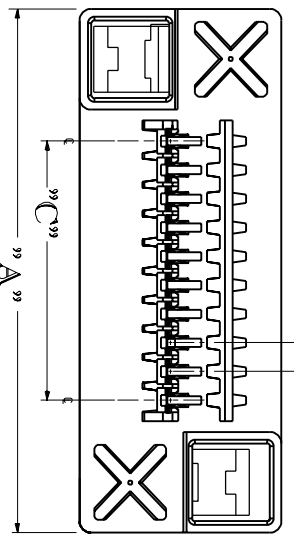
"CUSTOM" DRAWER*
PART NUMBERS
(SEE NOTE 9., SHEET 1.)

STATUS	PART NUMBER	CKT. SIZE	OPTION TYPE (SEE SHEET 1)	DIM. "A"		DIM. "B"		DIM. "C"		DIM. "D"		DIM. "E"		DIM. "F"		STATUS	PART NUMBER	CKT. SIZE	OPTION TYPE (SEE SHEET 1)
				INCH	(MM)	INCH	(MM)	INCH	(MM)	INCH	(MM)	INCH	(MM)	INCH	(MM)				
X	SAME AS CUSTOM 04	04	A	1.220	(30.99)	.870	(22.10)	.300	(7.62)	.420	(10.67)	1.113	(28.27)	.500	(12.70)	X		04	A
X		04	B	1.220	(30.99)	.870	(22.10)	.300	(7.62)	.420	(10.67)	1.113	(28.27)	.500	(12.70)	X		04	B
X		06	A	1.420	(35.56)	1.070	(27.18)	.500	(12.70)	.620	(15.75)	1.313	(33.35)	.700	(17.78)	X		06	A
X		06	B	1.420	(35.56)	1.070	(27.18)	.500	(12.70)	.620	(15.75)	1.313	(33.35)	.700	(17.78)	X		06	B
X		08	A	1.620	(41.15)	1.270	(32.26)	.700	(17.78)	.820	(20.83)	1.513	(38.43)	.900	(22.86)	X		08	A
X		08	B	1.620	(41.15)	1.270	(32.26)	.700	(17.78)	.820	(20.83)	1.513	(38.43)	.900	(22.86)	X		08	B
X		10	A	1.820	(46.23)	1.470	(37.74)	.900	(22.86)	1.020	(25.91)	1.713	(43.51)	1.100	(27.94)	X		10	A
X		10	B	1.820	(46.23)	1.470	(37.74)	.900	(22.86)	1.020	(25.91)	1.713	(43.51)	1.100	(27.94)	X		10	B
X	73099-9221	12	A	2.020	(51.31)	1.670	(42.42)	1.100	(27.94)	1.220	(30.99)	1.913	(48.59)	1.300	(33.02)	X		12	A
X		12	B	2.020	(51.31)	1.670	(42.42)	1.100	(27.94)	1.220	(30.99)	1.913	(48.59)	1.300	(33.02)	X		12	B

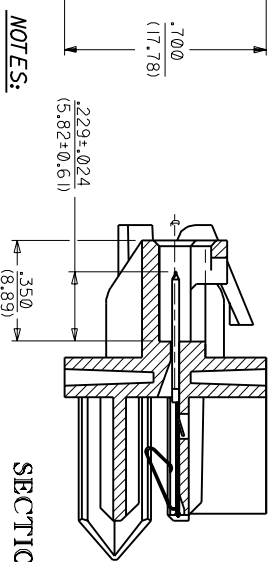
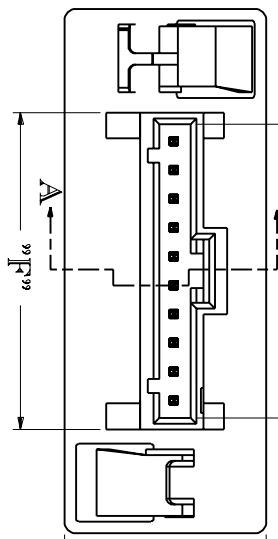
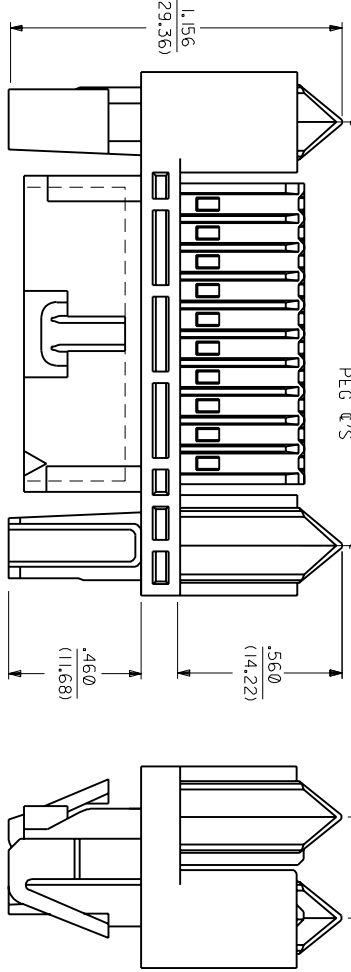
X STATUS: PART NUMBERS WITH AN *X* IN THE STATUS COLUMN OR CIRCUIT SIZES WITH NO ASSOCIATED PART NUMBER DO NOT HAVE EXISTING TOOLING OR PRODUCTION CAPACITY.

* PREDETERMINED *SL* MATING ASSEMBLIES FOR *CUSTOM* ID ARE LISTED ON SHEET 2. COMBINATIONS OF *SL* MATING CIRCUIT SIZES FOR OTHER *CUSTOM* DRAWER ASSEMBLIES HAVE TO BE DETERMINED.

INITIAL RELEASE FCC NO: UCP2006-0364 DRAWNSMART 2005/12/12 CHKD:BBARKER 2005/12/19 APPR:SMILLER 2005/12/19 REVISIONS	QUALITY SYMBOLS =0 =0	GENERAL TOLERANCES (UNLESS SPECIFIED)		DIMENSION STYLE IN/MM		SCALE ---	DESIGN UNITS INCH	THIRD ANGLE PROJECTION
		4 PLACES ± --- ± ---	DRAWN BY MIBARRA	DATE 2005/11/23	TITLE HERMAPHRODITIC SL DRAWER CONNECTOR SALES ASSEMBLY			
		3 PLACES ± --- ± .010	CHECKED BY BBARKER	DATE 2005/11/23	MOLEX INCORPORATED			
		2 PLACES ± 0.25 ± .014 1 PLACE ± 0.36 ± --- ANGULAR ±1/2°	APPROVED BY SMILLER	DATE 2005/11/23	MATERIAL NO. SEE TABLE	DOCUMENT NO. SD-73099-001	SHEET NO. 4 OF 4	



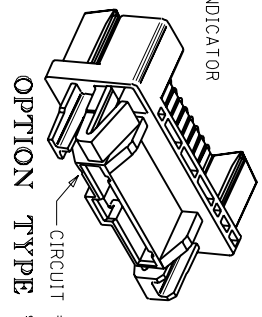
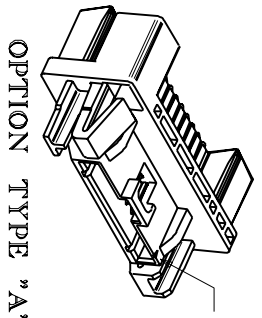
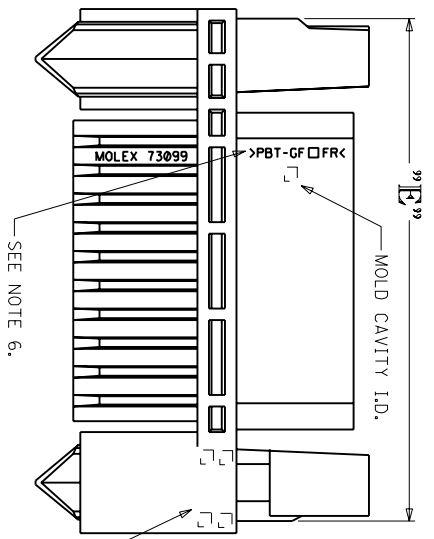
STANDARD SL
OPTION (TYPE "A")
73099-02XXX



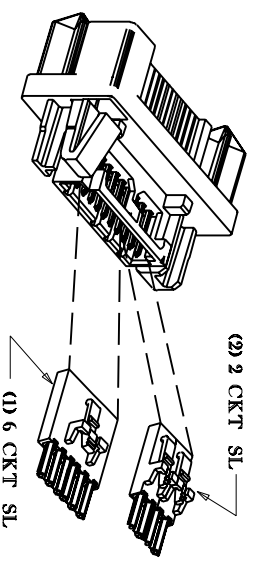
SECTION A-A

NOTES:

- MATERIAL: HOUSING: GLASS FILLED POLYESTER UL 94V-0, COLOR BLACK. TERMINAL: BERYLLIUM COPPER
- PLATING: .000050 u" (1.27 MICRON) MIN. GOLD PLATE ON CANTILEVER AREA. .000015 MIN. GOLD PLATE ON SELECT SL TAIL AREA. NICKEL PLATE OVER-ALL.
- SEE SHEET 4 FOR PART NUMBERS AND TABULATED DIMENSIONS.
- PRODUCT CONFORMS TO PS-73099-0000.
- HOT STAMP DATE CODE IS WEEK, YEAR.
- RECYCLING LOGO TO APPEAR WHERE ROOM IS AVAILABLE.
- SEE SHEET 3 FOR PANEL MOUNTING AND MATING DETAILS.
- 73099-0000 CONNECTOR ALSO MATES WITH "SL" SERIES 70066, 70400, AND 70430. PRODUCT DESCRIBED AS "STANDARD" MATES ONLY WITH EQUIVALENT PRODUCT DESCRIBED AS "CUSTOM" ALLOWS A PREDETERMINED COMBINATION OF SL CONNECTORS WITH VARYING CIRCUIT SIZES TO BE USED WHEN THE COMBINATIONS TOTAL CIRCUITS ADD UP TO THE DRAWER CONNECTOR'S CIRCUIT SIZE (10 CKT. DRAWER CONNECTOR TO TWO 2 CKT. & ONE 6 CKT. SL).



OPTION "A" VS OPTION "B"
OPTION "A" MATED TO OPTION "A"; CKT.1 MATCHES WITH CKT. 1
OPTION "A" MATED TO OPTION "B"; CKT.1 MATCHES WITH CKT. 10
(BOTH OPTIONS "A" AND "B" PICTURED ABOVE ARE OF STANDARD DRAWER VARIATION - SEE NOTE 9.)



SEE NOTE 8. AND 9. (CUSTOM 10 CKT. PICTURED)

DIMENSIONS SHOWN METRIC/INCH		UNLESS OTHERWISE SPECIFIED TOLERANCES ARE IN 1/2°	
FRAC.	DEC.	INCH	METRIC
± .010	± .014	± .014	± 0.25
± .010	± .014	± .014	± 0.25
± .010	± .014	± .014	± 0.25

REV.	DATE	BY	CHKD.	DESCRIPTION
1	10/15/95			REVISED DRAWING 09/13/95
2	03/15/95			RELEASE DRAWING 03/15/95 MURPHY
3	11/20/97			DATE CODE CHANGE ELO
4	09/13/95			REVISED DRAWING 09/13/95 P.L.R.

REV.	DATE	BY	CHKD.	DESCRIPTION
1	10/15/95			REVISED DRAWING 09/13/95
2	03/15/95			RELEASE DRAWING 03/15/95 MURPHY
3	11/20/97			DATE CODE CHANGE ELO
4	09/13/95			REVISED DRAWING 09/13/95 P.L.R.

REV.	DATE	BY	CHKD.	DESCRIPTION
1	10/15/95			REVISED DRAWING 09/13/95
2	03/15/95			RELEASE DRAWING 03/15/95 MURPHY
3	11/20/97			DATE CODE CHANGE ELO
4	09/13/95			REVISED DRAWING 09/13/95 P.L.R.

DATE CODE
SEE NOTE 5

SEE NOTE 6.

MOLEX 73099

HERMAPRODITIC "SL" DRAWER CONNECTOR SALES ASSEMBLY MOLEX INCORPORATED

SDA-73099-0000

10/15/95

09/13/95

11/20/97

09/13/95

03/15/95

10/15/95

09/13/95

03/15/95

11/20/97

09/13/95

03/15/95

10/15/95

09/13/95

03/15/95

11/20/97

09/13/95

03/15/95

10/15/95

09/13/95

03/15/95

11/20/97

09/13/95

03/15/95

10/15/95

09/13/95

03/15/95

11/20/97

09/13/95

03/15/95

10/15/95

09/13/95

03/15/95

11/20/97

09/13/95

03/15/95

10/15/95

09/13/95

03/15/95

11/20/97

09/13/95

03/15/95

10/15/95

09/13/95

03/15/95

11/20/97

09/13/95

03/15/95

10/15/95

09/13/95

03/15/95

11/20/97

09/13/95

03/15/95

10/15/95

09/13/95

03/15/95

11/20/97

09/13/95

03/15/95

10/15/95

09/13/95

03/15/95

11/20/97

09/13/95

03/15/95

10/15/95

09/13/95

03/15/95

11/20/97

09/13/95

03/15/95

10/15/95

09/13/95

03/15/95

11/20/97

09/13/95

03/15/95

10/15/95

09/13/95

03/15/95

11/20/97

09/13/95

03/15/95

10/15/95

09/13/95

03/15/95

11/20/97

09/13/95

03/15/95

10/15/95

09/13/95

03/15/95

11/20/97

09/13/95

03/15/95

10/15/95

09/13/95

03/15/95

11/20/97

09/13/95

03/15/95

10/15/95

09/13/95

03/15/95

11/20/97

09/13/95

03/15/95

10/15/95

09/13/95

03/15/95

11/20/97

09/13/95

03/15/95

10/15/95

09/13/95

03/15/95

11/20/97

09/13/95

03/15/95

10/15/95

09/13/95

03/15/95

11/20/97

09/13/95

03/15/95

10/15/95

09/13/95

03/15/95

11/20/97

09/13/95

03/15/95

10/15/95

09/13/95

03/15/95

11/20/97

09/13/95

03/15/95

10/15/95

09/13/95

03/15/95

11/20/97

09/13/95

03/15/95

10/15/95

09/13/95

03/15/95

11/20/97

09/13/95

03/15/95

10/15/95

09/13/95

03/15/95

11/20/97

09/13/95

03/15/95

10/15/95

09/13/95

03/15/95

11/20/97

09/13/95

03/15/95

10/15/95

09/13/95

03/15/95

11/20/97

09/13/95

03/15/95

10/15/95

09/13/95

03/15/95

11/20/97

09/13/95

03/15/95

10/15/95

09/13/95

03/15/95

11/20/97

09/13/95

03/15/95

10/15/95

09/13/95

03/15/95

11/20/97

09/13/95

03/15/95

10/15/95

09/13/95

03/15/95

11/20/97

09/13/95

03/15/95

10/15/95

09/13/95

03/15/95

11/20/97

09/13/95

03/15/95

10/15/95

09/13/95

03/15/95

11/20/97

09/13/95

03/15/95

10/15/95

09/13/95

03/15/95

11/20/97

09/13/95

03/15/95

10/15/95

09/13/95

03/15/95

11/20/97

09/13/95

03/15/95

10/15/95

09/13/95

03/15/95

11/20/97

09/13/95

03/15/95

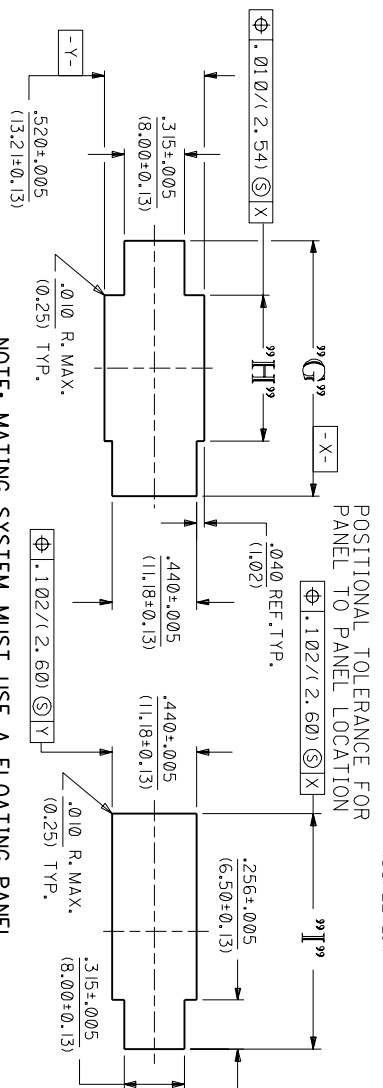
10/15

PANEL DIMENSIONS

CKT. SIZE	DIM. "G"	DIM. "H"	DIM. "I"
	INCH	INCH	INCH
04	1.230 (31.24)	.660 (16.76)	1.128 (28.65)
06	1.430 (36.32)	.860 (21.84)	1.328 (33.73)
08	1.630 (41.40)	1.060 (26.92)	1.528 (38.81)
10	1.830 (46.48)	1.260 (32.00)	1.728 (43.89)
12	2.030 (51.56)	1.460 (37.08)	1.928 (48.97)

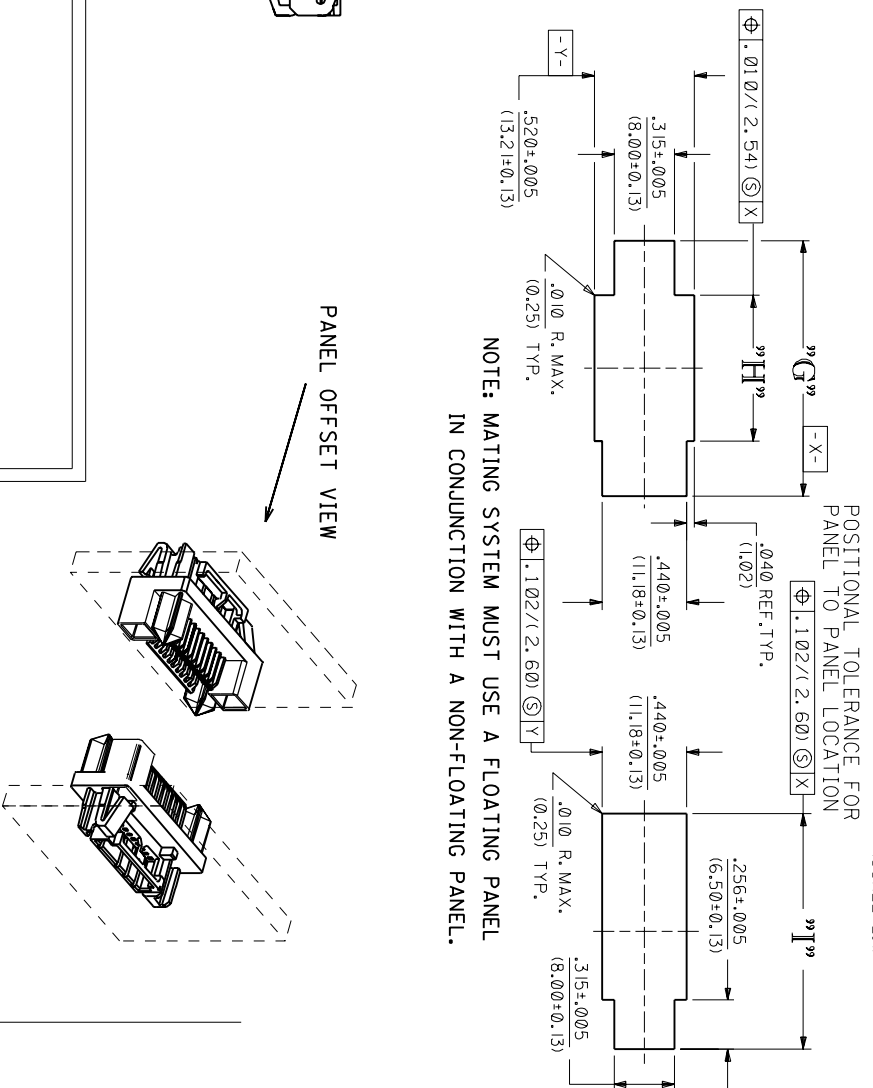
FLOATING PANEL VIEW

VIEW FROM PUNCH SIDE
(SCALE 2:1)

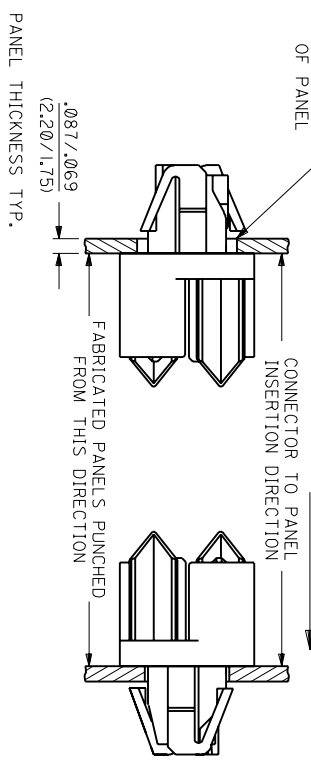


NON-FLOATING PANEL VIEW

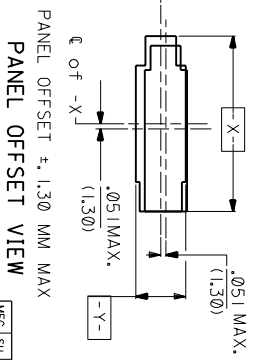
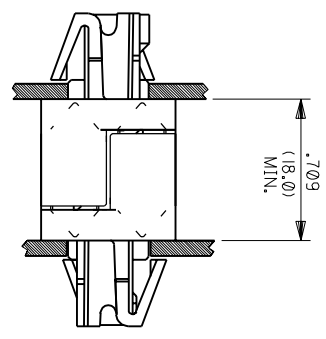
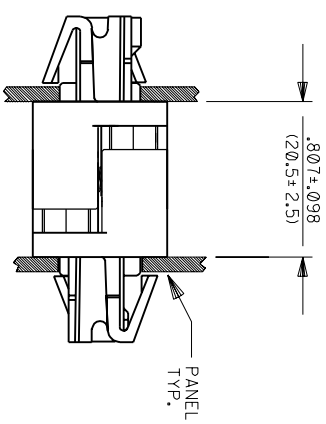
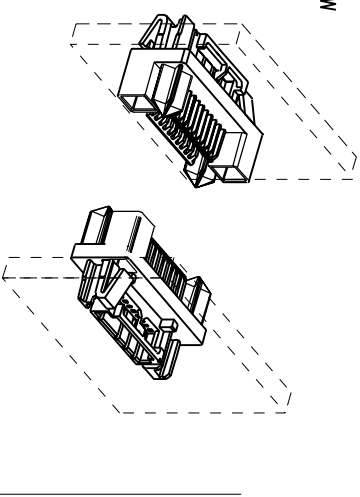
VIEW FROM PUNCH SIDE
(SCALE 2:1)



CONNECTOR TO PANEL INSERTION DIRECTION



PANEL OFFSET VIEW



DIMENSIONS SHOWN IN METRIC INCH UNLESS OTHERWISE SPECIFIED TOLERANCES UNLESS OTHERWISE SPECIFIED

INCH	METRIC
± .010	± .25
± .014	± 0.35
± .025	± 0.63

OPERATING PANEL CLOSURE DIMENSIONS

FULLY CLOSED CONNECTOR

HERMAPHRODITIC "SL" DRAWER CONNECTOR SALES ASSEMBLY MOLEX INCORPORATED U.S.A.

REVISE ONLY ON CAD SYSTEM

DATE: 10/15/95

FILE NAME: 73099

SEE CHART SDA-73099-0-***

THIS DRAWING CONTAINS INFORMATION THAT IS PROPRIETARY TO MOLEX INC. AND SHOULD NOT BE COPIED WITHOUT WRITTEN PERMISSION.

13 12 11 10 9 8 7 6 5 4 3 2 1

"STANDARD" DRAWER
PART NUMBERS

ASSEMBLY PART NUMBERS AND
DIMENSIONS BY CIRCUIT SIZE

"CUSTOM" DRAWER *
PART NUMBERS
(SEE NOTE 9, SHEET 1)

PART NUMBER	CKT. SIZE (SEE SHEET 1)	OPTION TYPE 1)	DIM. "A"		DIM. "B"		DIM. "C"		DIM. "D"		DIM. "E"		DIM. "F"		PART NUMBER	CKT. SIZE (SEE SHEET 1)	OPTION TYPE 1)
			INCH (MM)	MM	INCH (MM)	MM	INCH (MM)	MM	INCH (MM)	MM	INCH (MM)	MM	INCH (MM)	MM			
SAME AS CUSTOM 04	04	A	1.220 (30.99)	.870 (22.10)	.300 (7.62)	.420 (10.67)	1.113 (28.27)	.500 (12.70)	X	73099-0003	04	A					
	04	B	1.220 (30.99)	.870 (22.10)	.300 (7.62)	.420 (10.67)	1.113 (28.27)	.500 (12.70)	X	73099-0004	04	B					
73099-0209	06	A	1.420 (35.56)	1.070 (27.18)	.500 (12.70)	.620 (15.75)	1.313 (33.35)	.700 (17.78)	X		06	A					
73099-0210	06	B	1.420 (35.56)	1.070 (27.18)	.500 (12.70)	.620 (15.75)	1.313 (33.35)	.700 (17.78)	X		06	B					
73099-0213	08	A	1.620 (41.15)	1.270 (32.26)	.700 (17.78)	.820 (20.83)	1.513 (38.43)	.900 (22.86)	X		08	A					
73099-0214	08	B	1.620 (41.15)	1.270 (32.26)	.700 (17.78)	.820 (20.83)	1.513 (38.43)	.900 (22.86)	X		08	B					
73099-0217	10	A	1.820 (46.23)	1.470 (37.74)	.900 (22.86)	1.020 (25.91)	1.713 (43.51)	1.100 (27.94)		73099-0001	10	A					
73099-0218	10	B	1.820 (46.23)	1.470 (37.74)	.900 (22.86)	1.020 (25.91)	1.713 (43.51)	1.100 (27.94)		73099-0002	10	B					
73099-0221	12	A	2.020 (51.31)	1.670 (42.42)	1.100 (27.94)	1.220 (30.99)	1.913 (48.59)	1.300 (33.02)	X		12	A					
73099-0222	12	B	2.020 (51.31)	1.670 (42.42)	1.100 (27.94)	1.220 (30.99)	1.913 (48.59)	1.300 (33.02)	X		12	B					

* STATUS: PART NUMBERS WITH AN "X" IN THE STATUS COLUMN OR CIRCUIT SIZES WITH NO ASSOCIATED PART NUMBER DO NOT HAVE EXISTING TOOLING OR PRODUCTION CAPACITY.

* PREDETERMINED "SL" MATING ASSEMBLIES FOR "CUSTOM" 10 ARE LISTED ON SHEET 2. COMBINATIONS OF "SL" MATING CIRCUIT SIZES FOR OTHER "CUSTOM" DRAWER ASSEMBLIES HAVE TO BE DETERMINED.

DIMENSIONS SHOWN METRIC/INCH

UNLESS OTHERWISE SPECIFIED TOLERANCES ARE AS FOLLOWS:

3 PLACE	± .010	INCH	---	METRIC
2 PLACE	± .014	INCH	± 0.25	METRIC
1 PLACE	---	INCH	± 0.36	METRIC

OPER. AND/OR APP. DOUBLE MUST REMAIN WITHIN DIMENSIONS

FORMING: PAR BY: PAR
BY: JWN SCALE: 1:1

PART NO. FILE NAME: SEE CHART
REV. 10/15/95

TITLE: HERMAPHRODITIC "SL" DRAWER CONNECTOR SALES ASSEMBLY

MOLEX INCORPORATED SHEET NO. 4 DATE 10/15/95
LISENELL, U.S.A. 60532

MFG. SH. REV. LTR. REVISIONS:
A SEE SHEET 1
B SEE SHEET 1
C SEE SHEET 1
D SEE SHEET 1

THIS DRAWING CONTAINS INFORMATION THAT IS PROPRIETARY TO MOLEX INC. AND SHOULD NOT BE USED WITHOUT WRITTEN PERMISSION.

DATE: 10/15/95

BY: TC

SIZE: C

73099