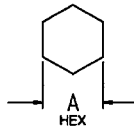


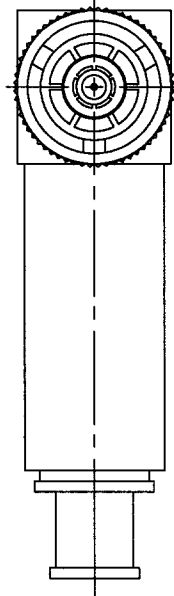
# RED INDICATES ORIGINAL

DASH NO	CABLES ACCOMMODATED	A HEX	B MAX	ASSEMBLE PER
-201	M17/176-00002	.344	1.77	TAI-169
-202	TWC-78-1			
-203	TWC-124-1A			
-204	10602, RAYCHEM			
-205	TWAC-78-1F2			
-206	7826D0130, RAYCHEM			
-207	83310 BELDEN			
-208	202-3927 MICRODOT			
-209	202-3942 MICRODOT			
-210	8451 BELDEN			
-211	202-3834 MICRODOT	1.52	TAI-181	
-212	2524E0114, RAYCHEM			
-213	TWC-78-2			
-214	TWC-124-2			
-215	BL-992 TIMES	.344	1.77	TAI-189
-216	BL-1242 TIMES			
-217	GCB75TM24H, GRUMMAN			
-218	EPD 22188B, RAYCHEM			
-219	2526D1114, RAYCHEM			
-220	GCB75RR1, GRUMMAN			
-221	10614, RAYCHEM			
-222	10613, RAYCHEM			
-223	HMS2-1149, HUGHES			
-224	TWCP-124-3			
-225	FS665PL, PRIME STOCK	1.76	TAI-154	
-301	GCB75GC1, GRUMMAN			
-302	5022ES111, RAYCHEM; GCB75GB1, GRUMMAN			
-303	7528A5314, RAYCHEM	1.76	TAI-154	
-304				
-305	M17/177-00001, THERMATICS	1.76	TAI-154	
-306	TRC-50-2 M17/134-00002	1.47	TAI-178	
-307	TRC-75-1	1.76	TAI-154	
-308	TRC-75-2	1.47	TAI-178	
-309	TRC-50-1	1.76	TAI-154	

INCH	MM
.005	0.13
.030	0.76
.344	8.74
.484	12.29
.903	22.94
1.00	25.40
1.25	31.75
1.317	33.45
1.47	37.34
1.52	38.61
1.75	44.45
1.76	44.70
1.77	44.96



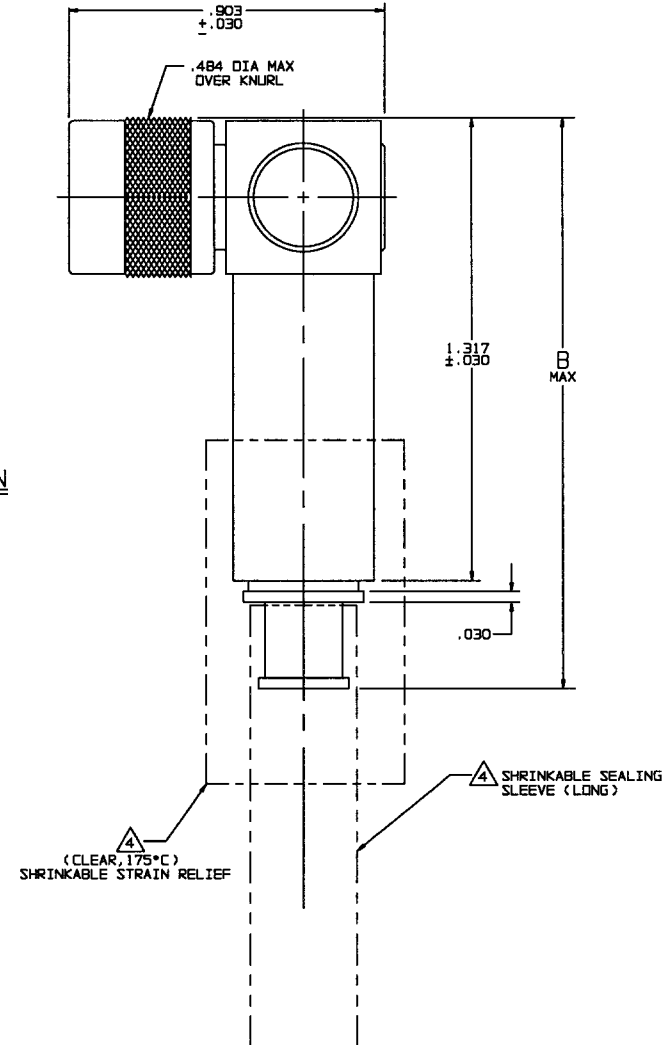
RECOMMENDED  
HEX CRIMP  
SCALE: NONE



-201 SHOWN

DATA CONTAINED IN THIS DOCUMENT IS PROPRIETARY TO TROMPETER ELECTRONICS, INC. AND SHALL NOT BE DISCLOSED, COPIED OR USED FOR PRODUCTION OR MANUFACTURE WITHOUT EXPRESS WRITTEN PERMISSION.

REVISIONS			310-0070	SH 1
REV	EO	DESCRIPTION	OWN	APPROVED
H	12388	ADDED -224 & -225; SEE ECO	OBV	iam



- 1 SHRINKABLE STRAIN RELIEF AND/OR SHRINKABLE SEALING SLEEVE SUPPLIED LOOSE AS FOLLOWS:
- CABLE GROUPS -201 THROUGH -210, -217 THROUGH -303, -305, -307 & -309
    - 1 SHRINKABLE STRAIN RELIEF (1.00 LONG)
    - 1 SHRINKABLE SEALING SLEEVE (1.25 LONG)
  - CABLE GROUPS -211 THROUGH -216, -306 & -308
    - 1 SHRINKABLE STRAIN RELIEF (1.75 LONG)
3. CONCENTRIC TWINAX/TRIAX TRS 3-LUG RIGHT ANGLE FULL CRIMP CABLE PLUG
2. FINISH: TFS-1A (NICKEL)
1. ALL DIM ARE IN INCHES

6. EXAMPLE OF COMPLETE MODEL NO:  
PLR155AC-201  
BASIC MODEL NO. \_\_\_\_\_ CABLE GROUP DASH NO
5. EXAMPLE OF COMPLETE PART NO:  
310-0070-201  
BASIC PART NO. \_\_\_\_\_ CABLE GROUP DASH NO

QTY	DESCRIPTION	PART NUMBER	ITEM
TOL UNLESS SPECIFIED .XX ±.03 .XXX ±.005 XXXK ANGLES	TROMPETER ELECTRONICS, INC.	PLR155AC	
OWN DEN 4/3/98	MATERIAL	CODE IDENT 14949	DRAWING NO. 310-0070
CHK iam 4-7-98			REV H
ENGR			
APPR	SCALE 4/1	DATE 4/18/99	SHEET 1 OF 2