

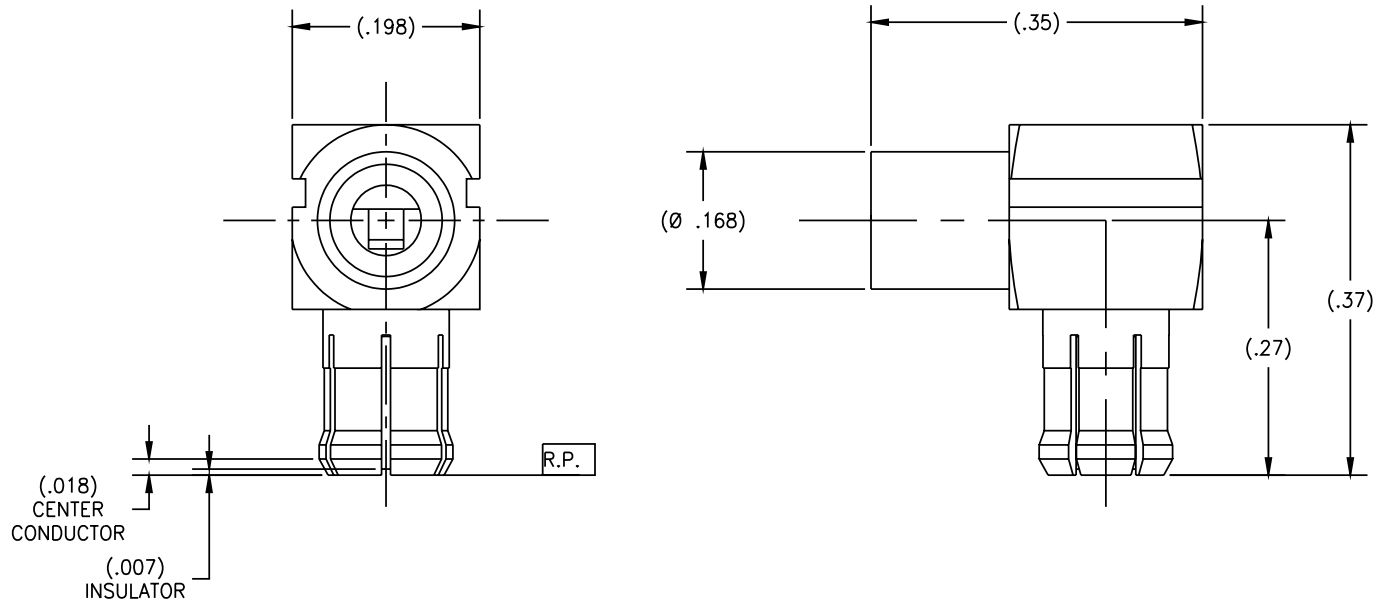
4

3

2

1

REVISIONS				
ZONE	REV	DESCRIPTION	DATE	BY
-	-	-	-	-



DRAWING NO.	3-M797-617-10	REV.	-
-------------	---------------	------	---

## NOTE(S):

1. MATERIAL(S)
  - 1.1 BODY MCX, CAP: BRASS ALLOY PER ASTM B-16
  - 1.2 BODY CABLE, CENTER CONDUCTOR: BeCu ALLOY PER ASTM B-196.
  - 1.3 INSULATOR: PTFE PER ASTM D-1710.
2. FINISH(ES):
  - 2.1 BODY MCX, BODY CABLE, CENTER CONDUCTOR, CAP: GOLD PLATE PER ASTM B-488 OVER NICKEL PLATE PER AMS-QQ-N-290.
  - 2.2 INSULATOR: NONE

TOLERANCES AND NOTES  
EXCEPT AS NOTED

DIMENSIONS ARE IN INCHES.  
 LINEAR .XXX ± 0.016  
 FRACTION ± 1/32

1. MACHINE FINISH:  $\sqrt{R/S}$
2. BREAK ALL SHARP EDGES .003 MAX.
3. MACHINED FILLETS .005 MAX.
4. MACHINED SURFACES SQUARE TO RESPECTIVE AXIS WITHIN .005 INCHES PER INCH.
5. MACHINED DIAMETERS CONCENTRIC WITHIN .002 T.I.R.
6. DIMENSIONS TO BE MET BEFORE PLATING.
7. CHAMFER ALL THREADS 45°.
8. THREADS PER H-28
9. REMOVE FINISHED EDGES ON TEFLON.
10. REMOVE ALL BURRS.

## NOTICE

THIS DRAWING EMBODIES A CONFIDENTIAL PROPRIETARY DESIGN ORIGINATED BY TENSOLITE COMPANY AND ALL DESIGN, MANUFACTURING, REPRODUCTION, USE AND SALE RIGHTS REGARDING THE SAME ARE EXPRESSLY RESERVED. IT IS SUBMITTED UNDER A CONFIDENTIAL RELATIONSHIP FOR A SPECIFIED PURPOSE AND THE RECIPIENT AGREES BY ACCEPTING THIS DRAWING NOT TO SUPPLY OR DISCLOSE ANY INFORMATION REGARDING IT TO ANY UNAUTHORIZED PERSON TO INCORPORATE IN OTHER PRODUCTS ANY SPECIAL FEATURES PECULIAR TO THIS DESIGN. ALL PATENT RIGHTS HERETO ARE EXPRESSLY RESERVED BY TENSOLITE COMPANY, LONG BEACH, CALIFORNIA 90815.

SEE NOTE(S)

MATERIAL	SIZE	SPECIFICATION	PROCUREMENT
NEXT ASSY		Tensolite	HIGH PERFORMANCE CABLES & INTERCONNECT SYSTEMS Long Beach, California 90815
APPROVAL INITIALS	DATE	TITLE	
DRAWN BY AGK	12.30.02	MCX MALE RIGHT ANGLE TO Ø .141 SIMI-RIGID CABLE	
CHECKED		SCALE	SUB-DIRECTORY/FILENAME
QUALITY		10/1	OL
ENGINEERING	ATV	01.09.03	SHEET 1 of 1
		SIZE	CASE CODE
		C 30990	DRAWING NO. 3-M797-617-10

4

3

2

1