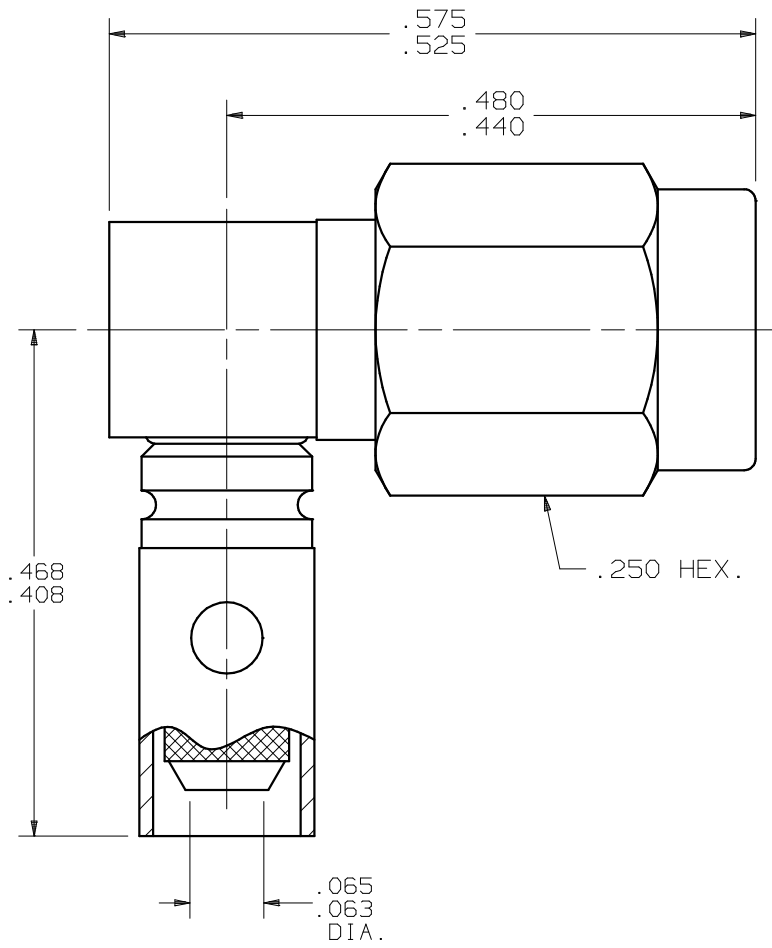


PRODUCT DATA DRAWING

CAD GENERATED DRAWING	DCN CONTROLLED DOCUMENT	DWG. NO. 2713-6005
-----------------------------	-------------------------------	---------------------------



MATERIALS:

BODY,
 CAP &
 COUPLING NUT: STAINLESS STEEL PER AMS-5640,
 UNS S30300 (TYPE 1), COND. A

 INSULATOR: TEFLON PER ASTM-D-1457

 CONTACT: BRASS PER ASTM-B-16, ALLOY
 UNS C36000, H02

 GASKET: SILICONE RUBBER PER ZZ-R-765,
 CLASS II B, GRADE 50-60

 LOCK RING: BERYLLIUM COPPER PER ASTM-B-196,
 ALLOY C17300, COND. TD04

FINISHES:

BODY,
 CAP &
 CONTACT: GOLD PER MIL-G-45204 TYPE I,
 GRADE C, CLASS 0 OVER NICKEL
 PER QQ-N-290 CLASS 2

 COUPLING NUT: GOLD PER MIL-G-45204 TYPE I,
 GRADE C, CLASS 00 OVER NICKEL
 PER QQ-N-290, CLASS 1

ELECTRICAL:

IMPEDANCE: 50 OHMS
 FREQ. RANGE: DC TO 3.0 GHz
 D.W.V.: 750 VRMS MIN.
 INSUL. RES.: 5.000 MEGOHMS

SYM.	DESCRIPTION	DATE	APPR.	UNLESS OTHERWISE SPECIFIED: 1) ALL DIMENSIONS ARE AFTER PLATING. 2) BREAK CORNERS & EDGES .005 R. MAX. 3) CHAM. 1s† & LAST THDS. 4) SURFACE ROUGHNESS 63 J MIL-STD-10. 5) DIAS. ON COMMON CENTERS TO BE CONCENTRIC WITHIN .005 T.I.R. 6) REMOVE ALL BURRS.	DIMENSIONS ARE IN INCHES TOLERANCES: DECIMALS FRACTIONAL ANGULAR .X ±.030 X° ±1°0' .XX ±.015 ±1/64 X°X' ±15' .XXX ±.005			<i>SV Microwave, Inc.</i> 3301 Electronics Way West Palm Beach, FL 33407		
	-	REL. NRN 26848	03/01		STW	MATERIAL: PER BOM			TITLE: SSMA RIGHT ANGLE SOLDER CRIMP PLUG FOR RG-174, RG-188 & 316/U CABLE	
						FINISH: PER BOM AREA: N/A			DWG. NO. 2713-6005	
						DRAWN: VMJ 03/29/01 CHECKED: STW 03/30/01 APPROVED: STW 03/30/01	SIZE A	CAGE NO. 95077	SCALE 6X	