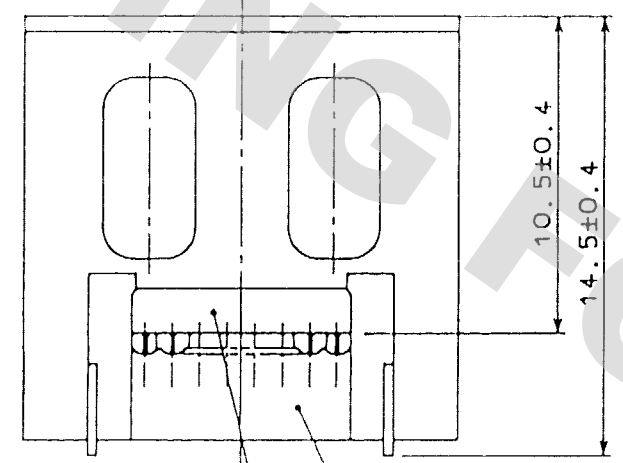
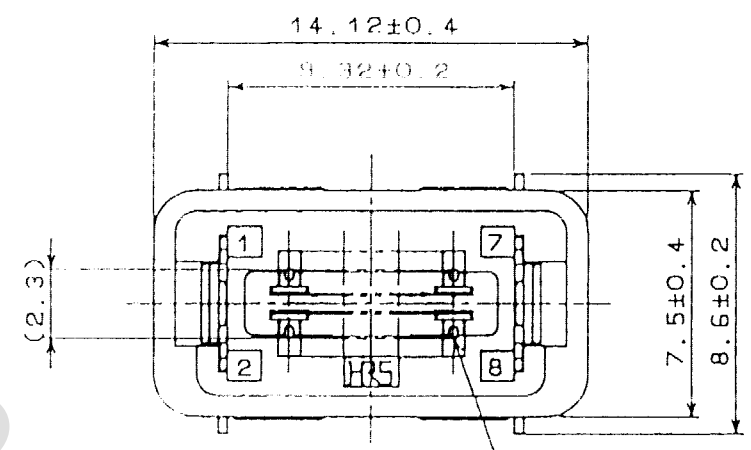


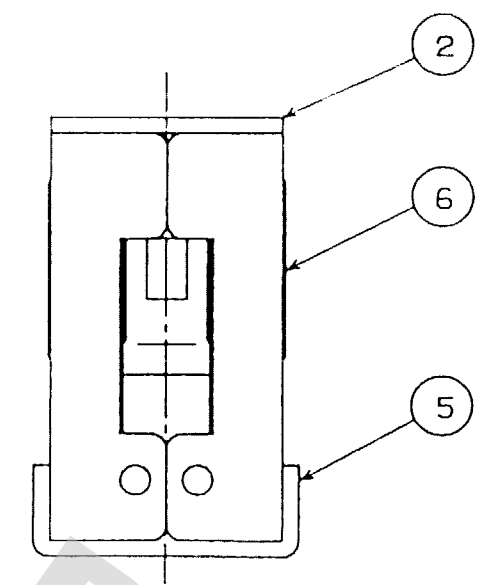
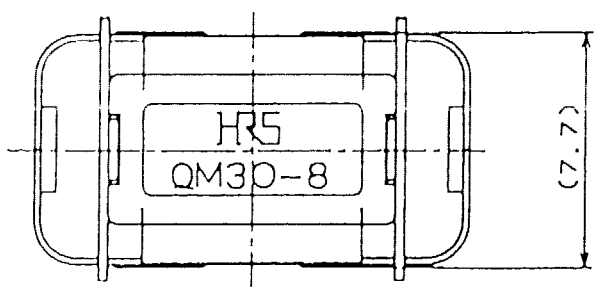
DRAWING FOR REFERENCE: This is subject to change without notice
08/11/2012

| |
|----|
| TO |
| Q |
| |
| |

| COUNT | DESCRIPTION OF REVISIONS | BY | CHKD | DATE | COUNT | DESCRIPTION OF REVISIONS | BY | CHKD | DATE |
|-------|--------------------------|----|------|------|-------|--------------------------|----|------|------|
| | | | | | | | | | |
| | | | | | | | | | |
| | | | | | | | | | |



3 4 ATTACHED



NOTE: THE DIMENSIONS IN PARENTHESES ARE FOR REFERENCE.

| 3 | PET | UL94V-0(BLACK) | 6 | STAINLESS STEEL | |
|-----|------------------|------------------------------|-----|-----------------|-----------------|
| 2 | PET | UL94V-0(BLACK) | 5 | PHOSPHOR BRONZE | NICKEL PLATING |
| 1 | BERYLLIUM COPPER | SELECTIVE GOLD PLATING 0.2μm | 4 | PET | UL94V-0(BLACK) |
| NO. | MATERIAL | FINISH, REMARKS | NO. | MATERIAL | FINISH, REMARKS |

| CODE NO. (OLD) | DRAWN | DESIGNED | CHECKED | APPROVED | RELEASED |
|----------------|---------------------|---------------------|----------|-----------------|----------|
| CL | <i>J. Shimoyama</i> | <i>T. Yamashita</i> | <i>C</i> | <i>H. Miura</i> | |
| | 03.09.09 | 03.09.09 | 03.09.09 | 03.09.10 | |

| | | |
|----------------|-------------------------------------|-----------------------------|
| SCALE 4 : 1 | DRAWING NO. EDC3-022970-01 | PART NO. QM30-8P-EP(50) |
| UNITS mm | HRS HIROSE ELECTRIC CO., LTD | CODE NO. CL226-0039-5-50 |

1/1