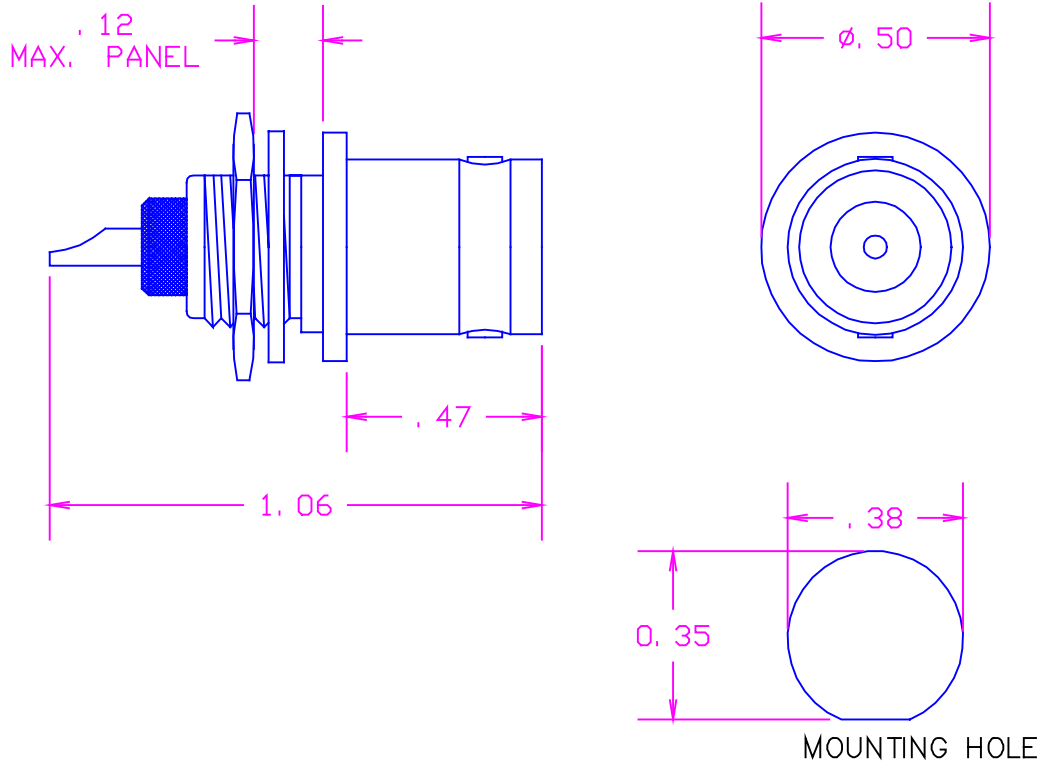
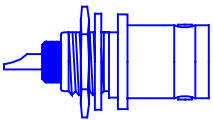


DATE	SYM	REVISION	RECORD	AUTH.	DR.	CK.
2/29/99	-	ISSUED			NT	GH



MATERIAL: BODY- BRASS PER ASTM B16,
 CENTER CONTACT- BERYLLIUM COPPER PER ASTM B196
 INSULATION- PTFE PER ASTM D1710
 FINISH: CONTACT- GOLD PLATED
 BODY- NICKEL PLATED
 NOMINAL INPEDANCE: 50 OHMS
 FREQUENCY RANGE: DC-4GHz

ACTUAL SIZE



TOLERANCES	CONCORD ELECTRONICS CORPORATION		
DECIMAL ± .010	P/N	SCALE	30 GREAT JONES ST. NEW YORK N. Y. 10012
FRACTIONAL ± 1/64	TITLE BNC BULKHEAD RECEPTACLES		
ANGULAR ±	DATE 2-26-98	DRAWING NUMBER 800-2550-03-3J	