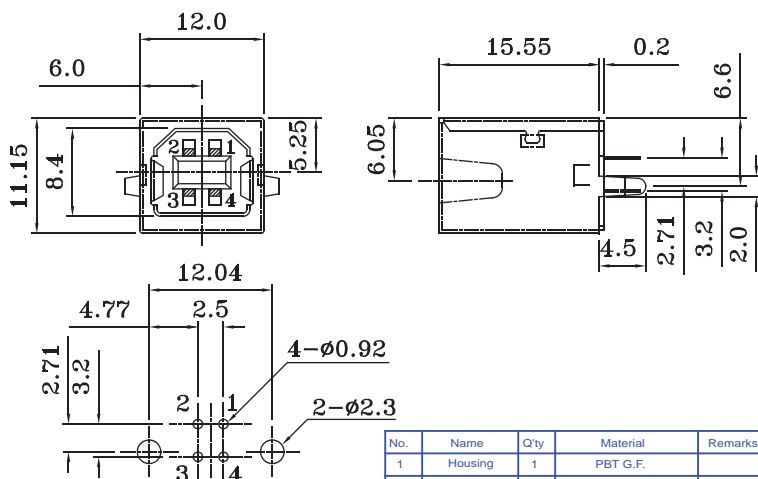


## USB Female Dip 180° B Type



(COMPONENT SIDE)  
PCB LAYOUT

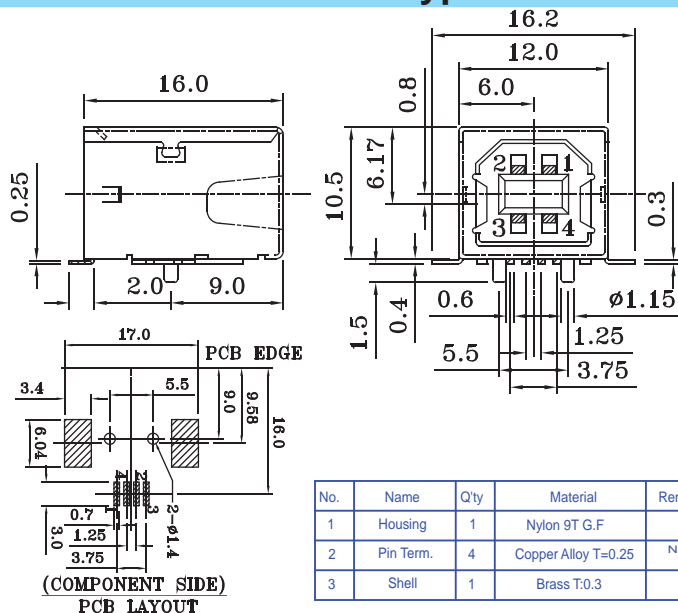
No.	Name	Qty	Material	Remarks & Thickness	Finish
1	Housing	1	PBT G.F.		White
2	Pin Term.	4	Copper Alloy T:0.25	Ni:1-1.5u ; Tin:3u. Gold:1-3u*	Gold/Tin Plated
3	Shell	1	Brass T=0.3	Ni:2-3u	Nickel Plated
4	Bottom Cover	1	PBT G.F.		White



Part No.:USB-001K-B□-L

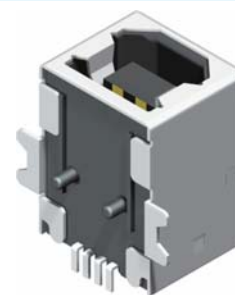
B:Black W:White

## USB Female SMT 90° B Type



(COMPONENT SIDE)  
PCB LAYOUT

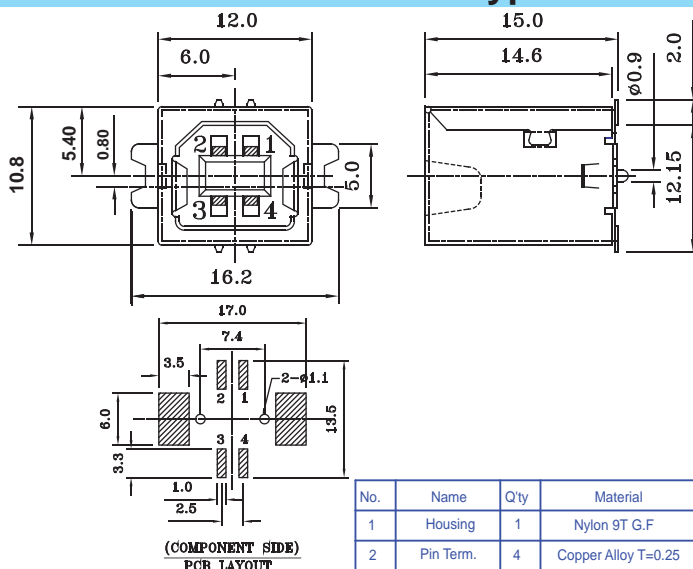
No.	Name	Qty	Material	Remarks & Thickness	Finish
1	Housing	1	Nylon 9T G.F.		White/Black
2	Pin Term.	4	Copper Alloy T=0.25	Ni:1-1.5u ; Tin:3u. Gold:1-3u*	Gold/Tin Plated
3	Shell	1	Brass T:0.3	Ni:2-3u	Nickel Plated



Part No.:USB-001H-B□-U

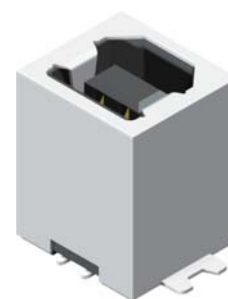
B:Black W:White

## USB Female SMT 180° B Type



(COMPONENT SIDE)  
PCB LAYOUT

No.	Name	Qty	Material	Remarks & Thickness	Finish
1	Housing	1	Nylon 9T G.F.		White/Black
2	Pin Term.	4	Copper Alloy T=0.25	Ni:1-1.5u ; Tin:3u. Gold:1-3u*	Gold/Tin Plated
3	Shell	1	Brass T:0.3	Ni:2-3u	Nickel Plated



Part No.:USB-001KH-B□-U

B:Black W:White