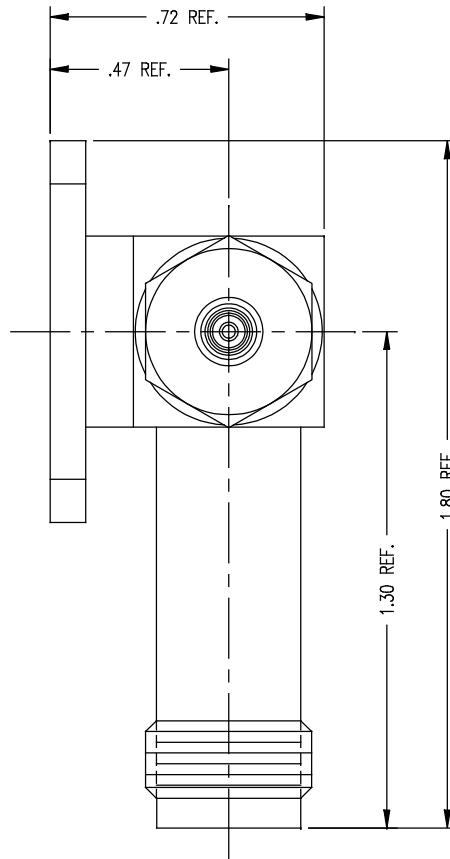
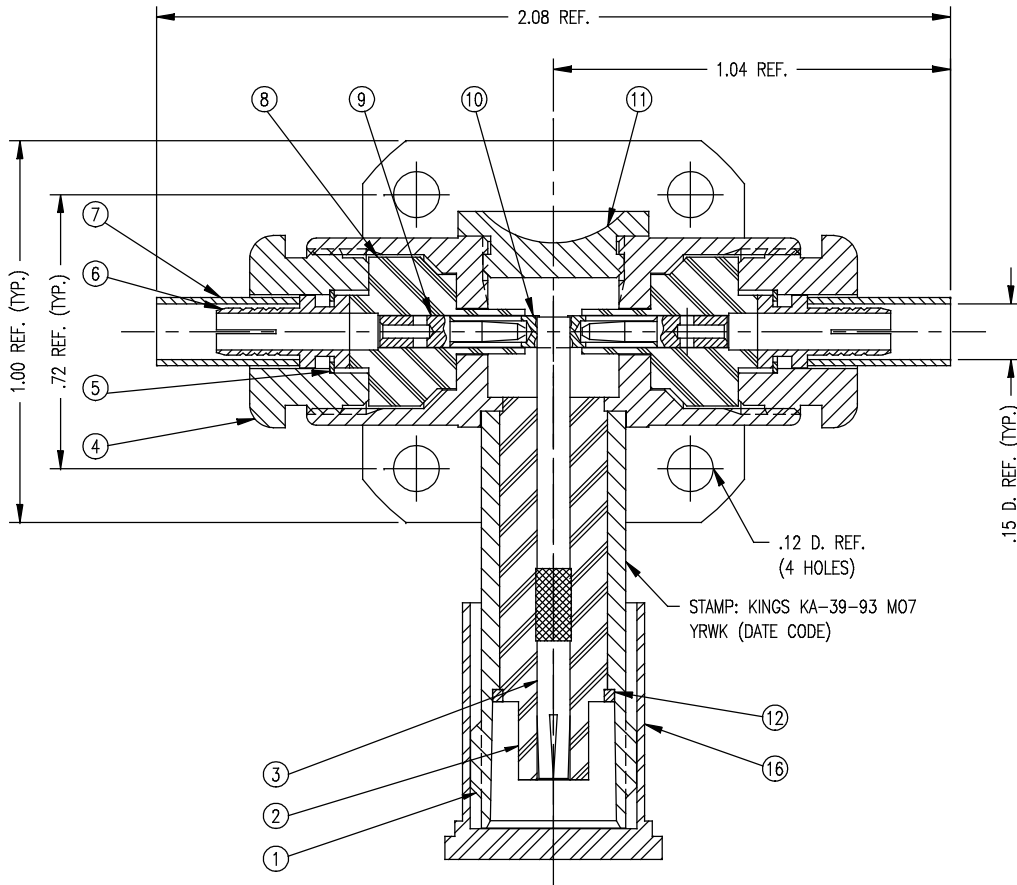


DASH NO.	M CODE	MADE FROM
----------	--------	-----------



SD


SD

REVISIONS	
ISSUE	CHANGES
0	ER 20373 MJB 05/10/80
1	CN 33903 A KH 05/11/92
2	CN 38849 C REDRAWN HVN 05/28/03
3	CN 39383 E DRK 01/04/06

KA-39-93-M07
(SHEET 1 OF 2)

SCALE 3:1	
APPROX SURFACE AREA WAS E-8811	
USED ON	
REF: MCDONNELL DOUGLAS, D014084-1	
TNC TEE PANEL JACK	
DRAWN HVN	DATE 05/20/03
DESIGN MJB	DATE 05/10/80
APPR.	DATE
 ROCK HILL, SOUTH CAROLINA 29730	
KA-39-93-M07 (SHEET 1 OF 2)	

- NOTES:
1. FOR USE NAVAIR #67A37A130 (RAYCHEM 5022D1312-9) CABLE.
 2. FOR CABLE TRIMMING DATA SEE 3-86.
 3. FOR CRIMPING USE DIE SIZE 24.

ITEM	REQ'D		DESCRIPTION	PART NO.	KA-39-93 M07 (SHEET 2 OF 2)	
	SUB/A	COMP.			ISSUE	REVISIONS
1	1	—	BODY ASSEMBLY			CHANGES
2	—	1	INSULATOR		0	ER 20373 MJB 05/10/80
3	—	1	BNC CONTACT F		1	CN 33903 A KH 05/11/92
4	—	2	CLAMP NUT	1-1837-1 M07	2	CN 38849 C REDRAWN HVN 05/28/03
5	—	2	SPLIT WASHER			
6	—	2	K-GRIP	1-1839-1 M07	KA-39-93 M07S2	
7	—	2	K-GRIP SLEEVE	1-1840-1 M07		
8	—	2	INSULATOR			
9	—	2	BNC CONTACT M	1-552-8 M09		
10	—	1	BNC CONTACT F-F			
11	—	1	CAP		USED ON	
12	—	1	RETAINING RING		REF:	
13	—	REF	CABLE TRIMMING DATA	3-86	FINISH SPEC. KER 10004	
16	—	1	PROTECTIVE CAP	4-148-3 M99	PARTS LIST	
					DRAWN GT	DATE 05/10/80
					DESIGN	DATE
					APPR.	DATE
				SD	 KINGS ELECTRONICS CO., INC. ROCK HILL, SOUTH CAROLINA 29730	
					KA-39-93 M07 (SHEET 2 OF 2)	