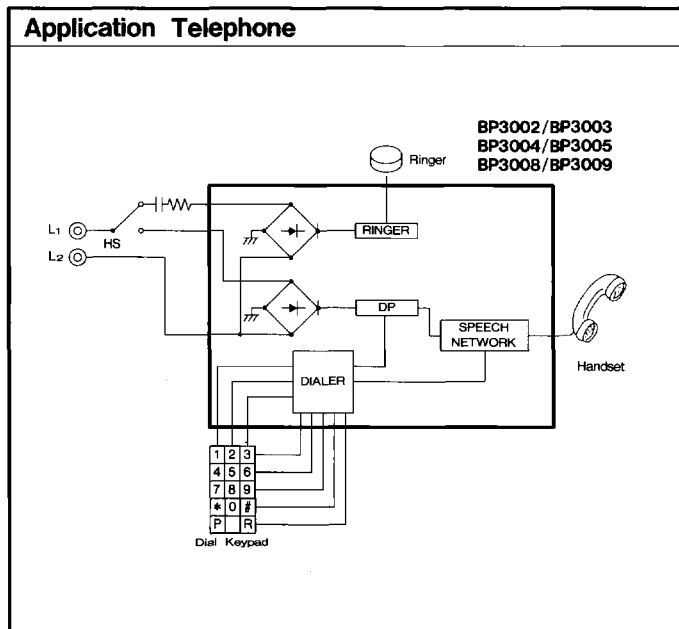


Standard Hybrid ICs

Standard Hybrid ICs
Custom Hybrid ICs
Hybrid ICs

●For Telephone Units (BP3000 Series)

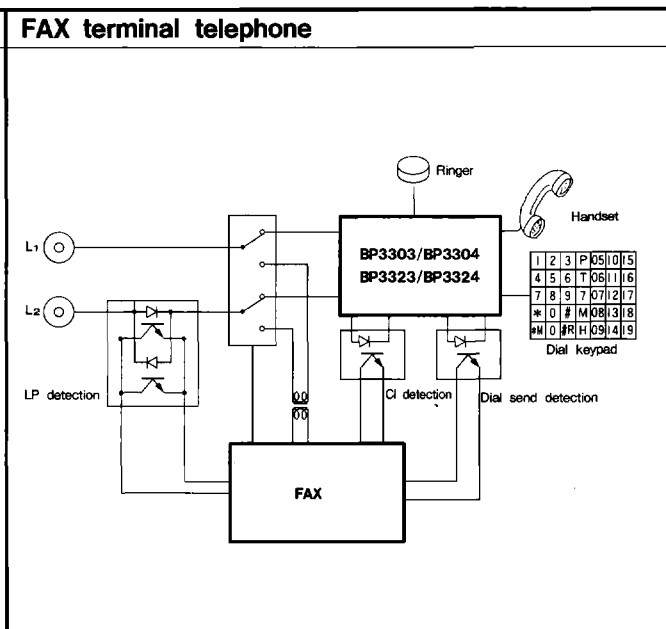
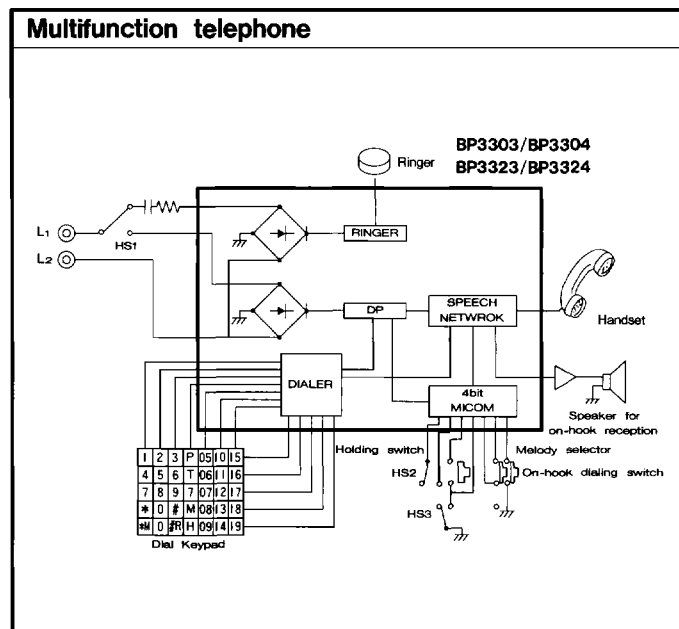
Part No.	Function	Package	Dimensions (mm)	Features
BP3002	Japan model	DIP28pin	56 × 38 × 14	Add only a handset, keypad, and ringer speaker to build up a complete telephone. Compatible with FAX, low DC resistance. (BP3008/BP3009) Complies with the Technical Standards for Telecommunication Terminal Equipment (BP3002/BP3004/BP3008) Compatible with Bell standards (BP3003/BP3005/BP3009)
BP3003	North America model			
BP3004	Japan model	DIP28pin	48 × 38 × 14	
BP3005	North America model			
BP3008	Japan model	DIP28pin	48 × 36.5 × 16	
BP3009	North America model			



●For Multifunction Telephone Units (BP3300 Series)

New
New

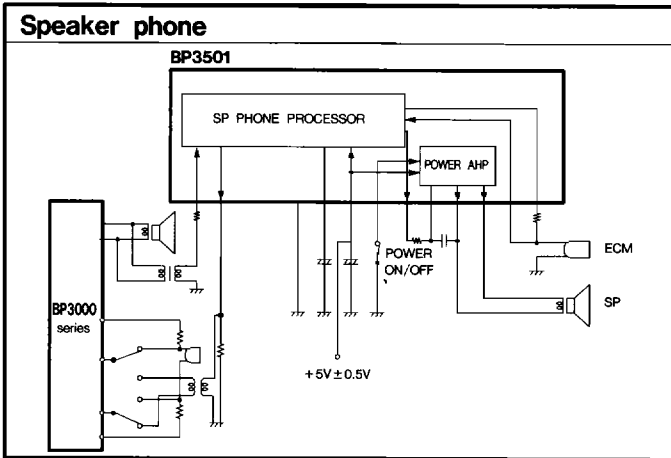
Part No.	Function	Package	Dimensions (mm)	Features
BP3303	North America model	DIP48pin	73 × 35 × 16	Dial memory stores 20 numbers of 16 digits each. Holding tone is selectable from two melodies. (BP3303, BP3304, BP3324) Compatible with FAX with low DC resistance, CI and dial output signal detection. Telecommunication Terminal Equipment (BP3304, BP3324) Compatible with Bell standards (BP3303, BP3323)
BP3304	Japan model			
BP3323	North America model	DIP46pin	70 × 36 × 16	
BP3324	Japan model			



Standard Hybrid ICs

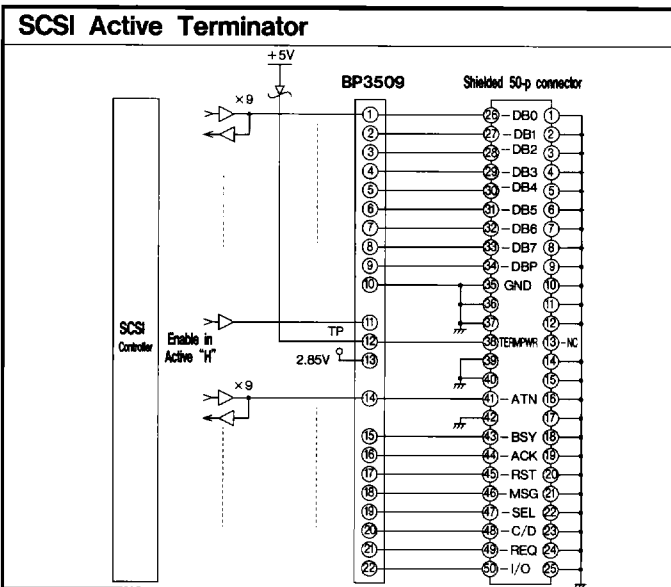
●Speakerphone Unit (BP3501)

Part No.	Function	Package	Dimensions (mm)	Features
BP3501	Speakerphone processor and power amplifier	SIP20pin	55 × 26.5 × 10	Single 5V power supply. Can drive telephone handset microphone and speaker. No howling.



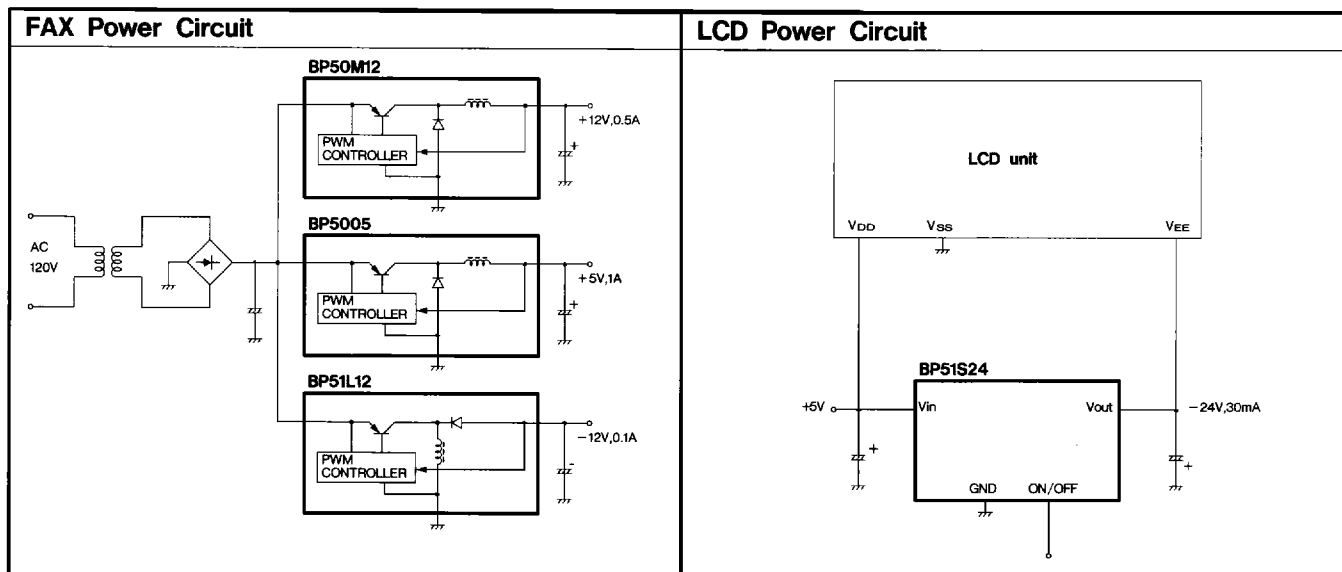
●SCSI Active Terminator (BP3500 Series)

Part No.	Function	Package	Dimensions	Features
BP3507Z	SCSI Active Terminator	Surface Mounted 52pin (BX-IV N52)	25 × 21.2 × 5.1	Compatible with SCSI- I and II, 18 circuits, internal power supply, internal enable circuit
BP3509	SCSI Active Terminator	SIP22pin	42.5 × 12 × 5.3	Compatible with SCSI- I and II, 18 circuits, internal power supply, internal enable circuit



●DC-DC Converters (BP5000/BP5100 Series)

Part No.	Function	Package	Dimensions (mm)	Features
☆BP51S24	DC-DC converter for driving LCD - 24V,30mA	SIP9pin	27 × 15.2 × 7	Overcurrent protection Requires only input and output capacitors. Variable output voltage small size
BP51L05	DC-DC converter with negative output: -5V,0.1A	SIP9pin	30 × 29 × 13	Wide input voltage range (8~20V) Requires only input/output capacitors. Compact design
BP51L12	DC-DC converter with negative output: -12V,0.1A	SIP9pin	30 × 29 × 13	
BP50M05	DC-DC converter 5V,0.5A	SIP9pin	32 × 29 × 15	Wide input voltage range (8~30V) Requires only input/output capacitors. Compact design
BP50M12	DC-DC converter 12V,0.5A	SIP9pin	32 × 29 × 15	Wide input voltage range (15~30V) Requires only input/output capacitors. Compact design
BP5005	DC-DC converter 5V,1A	SIP9pin	33 × 29 × 15	Wide input voltage range (8~30V) Requires only input/output capacitors. Compact design



●Multi Output DC-DC Converters (BP5400 Series)

Part No.	Function	Package	Dimensions (mm)	Features
☆BP5401	DC-DC converter, 5V/1A, 12V/1A, -12V/0.1A	DIP36pin	50 × 50 × 20	Wide input voltage range (15~30V). A complete device requiring no external components at all. High-precision versions available with function trimming.

●VHS Hi-Fi Audio Processor Unit (BX7854W)

Part No.	Function	Package	Dimensions (mm)	Features
BX7854W (NTSC) BX8059W (PAL)	PNR, MODEM INPUT, output switcher, mixer amplifier for RF converter, automatic FM detection circuit, audio head pulse shifter, switching noise differential compensation circuit.	DIP42pin	55.9 × 46.6 × 17.0	Contains all the time constants needed for major Hi-Fi audio blocks that include the BA7703K. A complete Hi-Fi block can be implemented with very few external components. A built-in tertiary active filter for audio band passing; Switching noise compensation by differential hold dual time constants provides efficient holding against delays due to BPF and maintains high sound quality. A semiconductor with PAL compatibility, NTSC/PAL compatibility, or using a BA7700 Series device can be developed based on this product (NTSC compatible).

Hi-Fi Audio

- Uses our BA7700 Series device
- Fully trimmed with laser function trimming

