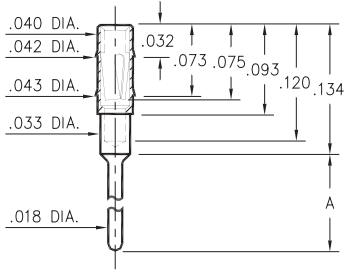


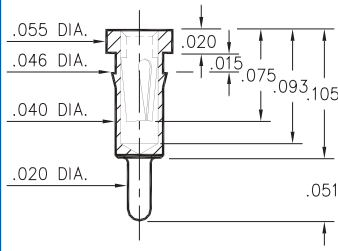
0489



Basic Part Number	Length A
0489-0	.102
0489-1	.199
0489-2	.299

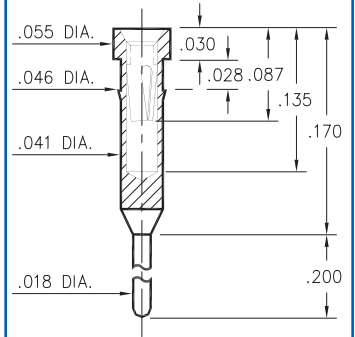
0489-X-15-XX-11-XX-04-0
Press-fit in .041 mounting hole.

0463



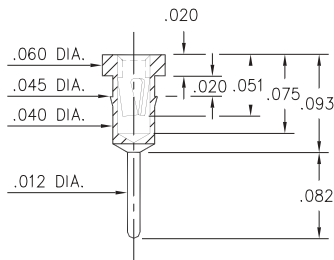
0463-0-15-XX-21-XX-04-0
Press-fit in .043 mounting hole.
shell is Phos. Br. Alloy 544 (B2)

0466



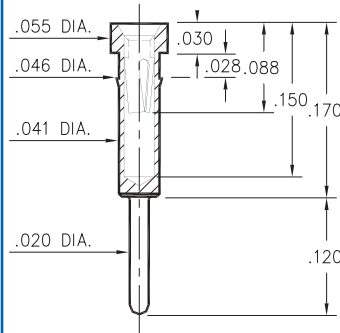
0466-0-15-XX-21-XX-04-0
Press-fit in .043 mounting hole.
shell is Phos. Br. Alloy 544 (B2)

7491



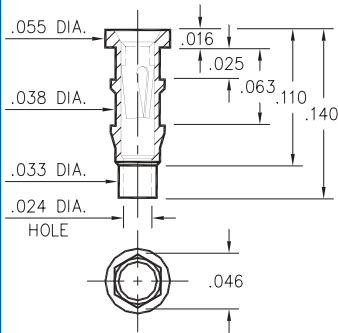
7491-0-15-XX-X1-XX-04-0
Press-fit in .042 mounting hole

0462



0462-0-15-XX-X1-XX-04-0
Press-fit in .043 mounting hole

0560



0560-0-15-XX-11-XX-10-0
Hex press-fit in .043 plated thru hole

SPECIFICATIONS

SHELL MATERIAL:
Brass Alloy 360, 1/2 Hard

CONTACT MATERIAL:
Beryllium Copper Alloy 172, HT

DIMENSION IN INCHES
TOLERANCES ON:
LENGTHS: ±.005
DIAMETERS: ±.002
ANGLES: ± 2°

ORDER CODE: XXXX - X - 15 - XX - XX - XX - XX - 0

BASIC PART # _____

SPECIFY SHELL FINISH:

01 200m " TIN/LEAD OVER NICKEL
15 10m " GOLD OVER NICKEL

SPECIFY CONTACT FINISH:

02 200m " TIN/LEAD OVER NICKEL
14 10m " GOLD OVER NICKEL
27 30m " GOLD OVER NICKEL

SELECT CONTACT

#11 or #21 CONTACT (DATA ON PAGE 206)