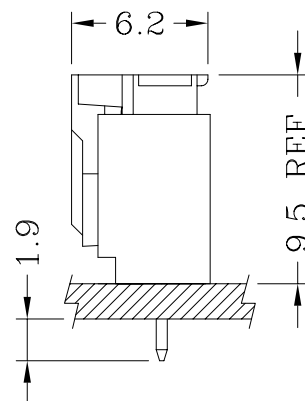


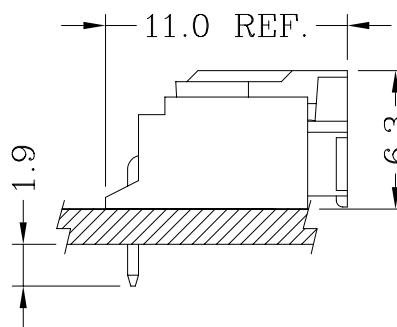
Assembly Layout  
Straight Angle (V-Type)



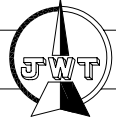
Right Angle (R-Type)

Specifications:

Poles	2~16 Poles
Pitch between poles	2.0mm
Rated Voltage	125V AC,DC
Rated Current	1A (AWG #24)
Withstand Voltage	1000V AC/minute
Contact Resistance	20mΩ (MAX.)
Insulation Resistance	1,000MΩ (MIN.)
Temperature Range	-25~+95°C
Applicable P.C.B. Thickness	0.8~1.6mm
Applicable P.C.B. Hole dia.	ø0.80±0.05mm
Applicable Wire Range	AWG #24~#30

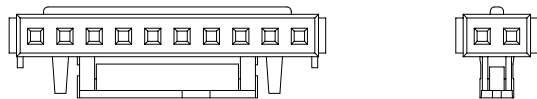
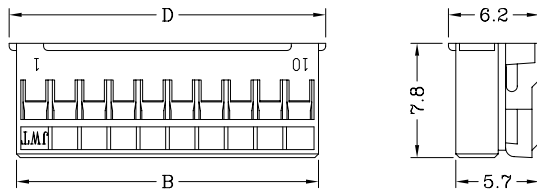
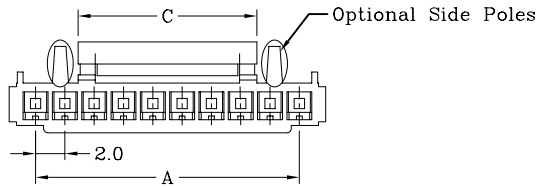


# A2008 Series 2.00mm pitch crimp terminal socket



## Features:

- \* Available in 2 through 16 circuits
- \* Material: Nylon 66 UL 94V-0 (White)
- \* Suitable for JWT A2008 series terminal
- \* Mates with JWT A2008 series wafer



A2008H00-2P

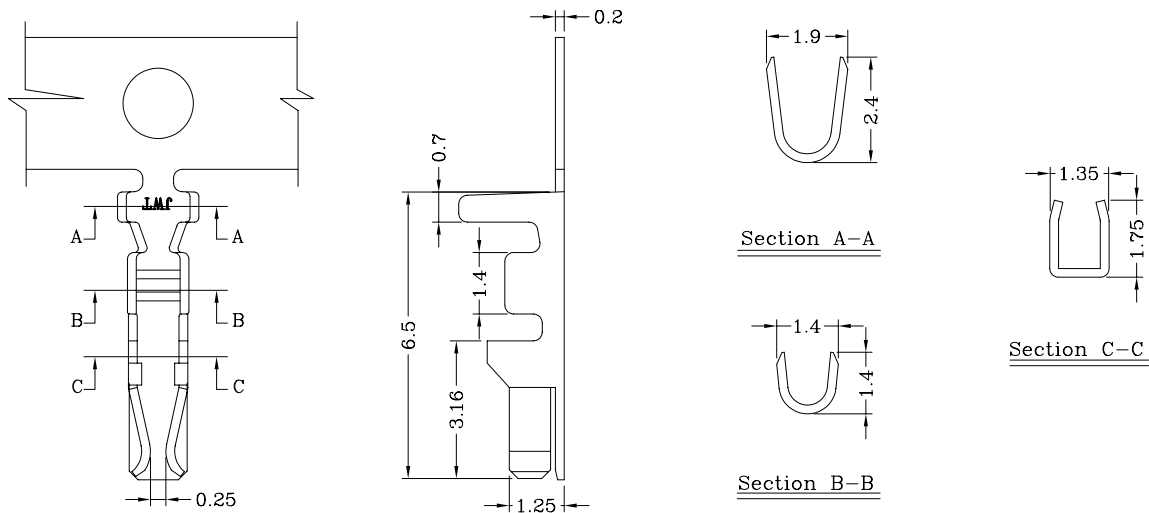
## Dimensional & Ordering Information:

Circuits	Part No	Dimension				Pcs/Bag
		A	B	C	D	
2	A2008H00-2P	2.0	4.6	2.3	5.6	1000
3	A2008H00-3P	4.0	6.6	2.3	7.6	1000
4	A2008H00-4P	6.0	8.6	4.3	9.6	1000
5	A2008H00-5P	8.0	10.6	4.3	11.6	1000
6	A2008H00-6P	10.0	12.6	8.3	13.6	1000
7	A2008H00-7P	12.0	14.6	10.3	15.6	1000
8	A2008H00-8P	14.0	16.6	12.3	17.6	1000
9	A2008H00-9P	16.0	18.6	12.3	19.6	1000
10	A2008H00-10P	18.0	20.6	12.3	21.6	1000
11	A2008H00-11P	20.0	22.6	16.2	23.6	1000
12	A2008H00-12P	22.0	24.6	16.2	25.6	1000
13	A2008H00-13P	24.0	26.6	16.2	27.6	1000
14	A2008H00-14P	26.0	28.6	16.2	29.6	1000
15	A2008H00-15P	28.0	30.6	16.2	31.6	1000
16	A2008H00-16P	30.0	32.6	16.2	33.6	1000

# A2008 Series 2.00mm pitch crimp terminal

## Features:

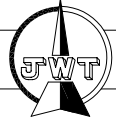
- \* Used in JWT A2008 series socket



## Specification & Ordering Information:

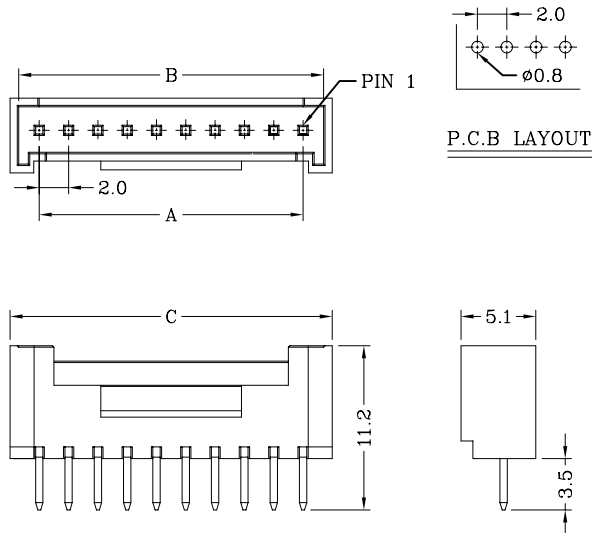
Part No	Wire Range	Insulation O.D.	Material	Finish	Qty/reel
A2008TOP-2	AWG #24~#30	1.40mm(max)	Phosphor bronze	Tin-plated	10,000 PCS

# A2008 Series 2.00mm pitch wafer (V-Type)



## Features:

- \* Available in 2 through 16 circuits
- \* Material: Insulator: Nylon 66 UL 94V-0 (White)  
Contact: 0.50mm(.020") square pin, brass, tin plated
- \* Mates with A2008 series socket



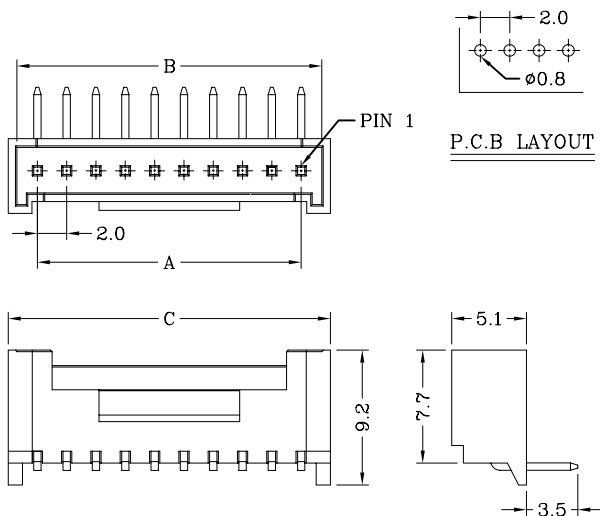
## Dimensional & Ordering Information:

Circuits	Part No.	Dimensions			PCS/BAG
		A	B	C	
2	A2008WV0-2P	2.00	4.75	5.98	1000
3	A2008WV0-3P	4.00	6.75	7.98	
4	A2008WV0-4P	6.00	8.75	9.98	
5	A2008WV0-5P	8.00	10.75	11.98	
6	A2008WV0-6P	10.00	12.75	13.98	500
7	A2008WV0-7P	12.00	14.75	15.98	
8	A2008WV0-8P	14.00	16.75	17.98	
9	A2008WV0-9P	16.00	18.75	19.98	
10	A2008WV0-10P	18.00	20.75	21.98	250
11	A2008WV0-11P	20.00	22.75	23.98	
12	A2008WV0-12P	22.00	24.75	25.98	
13	A2008WV0-13P	24.00	26.75	27.98	
14	A2008WV0-14P	26.00	28.75	29.98	
15	A2008WV0-15P	28.00	30.75	31.98	
16	A2008WV0-16P	30.00	32.75	33.98	

# A2008 Series 2.00mm pitch wafer (R-Type)

## Features:

- \* Available in 2 through 16 circuits
- \* Material: Insulator: Nylon 66 UL 94V-0 (White)  
Contact: 0.50mm(.020") square pin, brass, tin plated
- \* Mates with A2008 series socket



## Dimensional & Ordering Information:

Circuits	Part No.	Dimensions			PCS/BAG
		A	B	C	
2	A2008WR0-2P	2.00	4.75	5.98	1000
3	A2008WR0-3P	4.00	6.75	7.98	
4	A2008WR0-4P	6.00	8.75	9.98	
5	A2008WR0-5P	8.00	10.75	11.98	
6	A2008WR0-6P	10.00	12.75	13.98	500
7	A2008WR0-7P	12.00	14.75	15.98	
8	A2008WR0-8P	14.00	16.75	17.98	
9	A2008WR0-9P	16.00	18.75	19.98	
10	A2008WR0-10P	18.00	20.75	21.98	250
11	A2008WR0-11P	20.00	22.75	23.98	
12	A2008WR0-12P	22.00	24.75	25.98	
13	A2008WR0-13P	24.00	26.75	27.98	
14	A2008WR0-14P	26.00	28.75	29.98	
15	A2008WR0-15P	28.00	30.75	31.98	
16	A2008WR0-16P	30.00	32.75	33.98	