

## DP8480A 10k ECL to TTL Level Translator with Latch

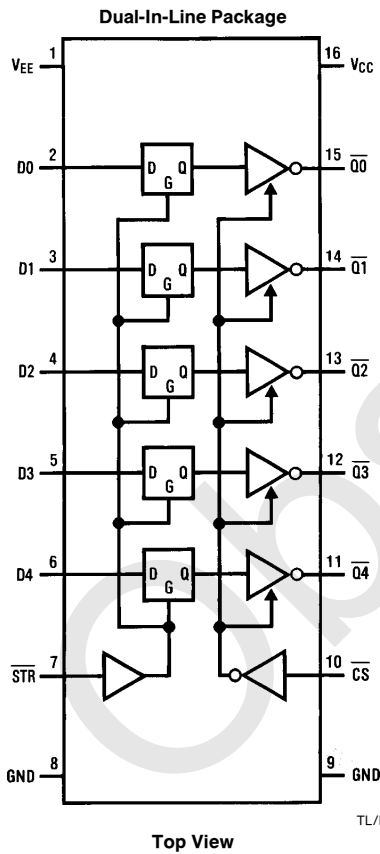
### General Description

This circuit translates ECL input levels to TTL output levels and provides a fall-through latch. The TRI-STATE® outputs are designed to drive standard 50 pF loads. The strobe and chip select inputs operate at ECL levels.

### Features

- 16-pin DIP
- TRI-STATE outputs
- ECL control inputs
- 8 ns typical propagation delay with 50 pF load
- Outputs are TRI-STATE during power up/down for glitch free operation
- 10k ECL input compatible

### Logic and Connection Diagram



### Truth Table

D	$\bar{Q}$	$\overline{STR}$	$\overline{CS}$
H	L	L	L
L	H	L	L
X	$\bar{Q}$	H	L
X	Hi-Z	X	H

H = high level (most positive)  
 L = low level (most negative)  
 X = don't care

Order Number DP8480AJ or DP8480AN  
 See NS Package Number J16A or N16A

TRI-STATE® is a registered trademark of National Semiconductor Corporation.

## Absolute Maximum Ratings (Note 1)

If Military/Aerospace specified devices are required, please contact the National Semiconductor Sales Office/Distributors for availability and specifications.

$V_{EE}$ Supply Voltage	-8V
$V_{CC}$ Supply Voltage	7V
Input Voltage	GND to $V_{EE}$
Output Voltage	5.5V

Maximum Power Dissipation* at 25°C	1476 mW
Molded Package	
Storage Temperature	-65°C to +150°C
*Derate molded package 11.8 mW/°C above 25°C.	

## Recommended Operating Conditions

$V_{EE}$ Supply Voltage	-5.2V ± 10%
$V_{CC}$ Supply Voltage	5.0V ± 10%
$T_A$ , Ambient Temperature	0°C to 75°C

## Electrical Characteristics (TTL Logic) Notes 2, 3 and 4

Symbol	Parameter	Conditions	Min	Typ	Max	Units
$V_{OL}$	Output Low Voltage	$I_{OL} = 12$ mA			0.5	V
$V_{OH}$	Output High Voltage	$I_{OH} = -10$ mA	$V_{CC} - 2V$			V
$I_{AV}$	Output Low Drive Current	Force 2.5V	70	150		mA
$I_{OS}$	Output High Drive Current	Force 0V	-70	-150	-350	mA
$I_{OZ}$	TRI-STATE Output Current		-50	1	+50	μA
$I_{CC}$	Supply Current				35	mA

## Electrical Characteristics (ECL Logic) Notes 2 and 3

Symbol	Parameter	Conditions	$T_A$	Min	Typ	Max	Units
$V_{IL}$	Input Low Voltage	$V_{EE} = -5.2V$	0°C 25°C 75°C	-1870 -1850 -1830		-1490 -1475 -1450	mV
$V_{IH}$	Input High Voltage	$V_{EE} = -5.2V$	0°C 25°C 75°C	-1145 -1105 -1045		-840 -810 -720	mV
$I_{IL}$	Input Low Current	$V_{IN} = V_{IL}$ Max			50	125	μA
$I_{IH}$	Input High Current	$V_{IN} = V_{IH}$ Max			75	750	μA
$I_{EE}$	Supply Current					-55	mA

## Switching Characteristics Notes 2 and 5

Symbol	Parameter	Conditions	Min	Typ	Max	Units
$t_{PD1}$	Strobe to Output Delay	$C_L = 50$ pF	4	9	15	ns
$t_{PD2}$	Data to Output Delay	$C_L = 50$ pF	3.5	8	15	ns
$t_S$	Data Set-Up Time	(Note 6)	3.0	1.0		ns
$t_H$	Data Hold Time	(Note 6)	3.0	1.0		ns
$t_{PW}$	Strobe Pulse Width	(Note 6)	5.0	3.0		ns
$t_{ZE}$	Delay from Chip Select to Active State from Hi-Z State	$C_L = 50$ pF	6	15	25	ns
$t_{EZ}$	Delay from Chip Select to Hi-Z State from Active State	$C_L = 50$ pF	4.5	12	22	ns

**Note 1:** "Absolute Maximum Ratings" are those values beyond which the safety of the device cannot be guaranteed. They are not meant to imply that the device should be operated at these limits. The table of "Electrical Characteristics" provides conditions for actual device operation.

**Note 2:** Unless otherwise specified, min/max limits apply across the 0°C to 75°C ambient temperature range in still air and across the specified supply variations. All typical values are for  $T_A = 25^\circ\text{C}$  and nominal supply. Maximum propagation delays are specified with all outputs switching simultaneously.

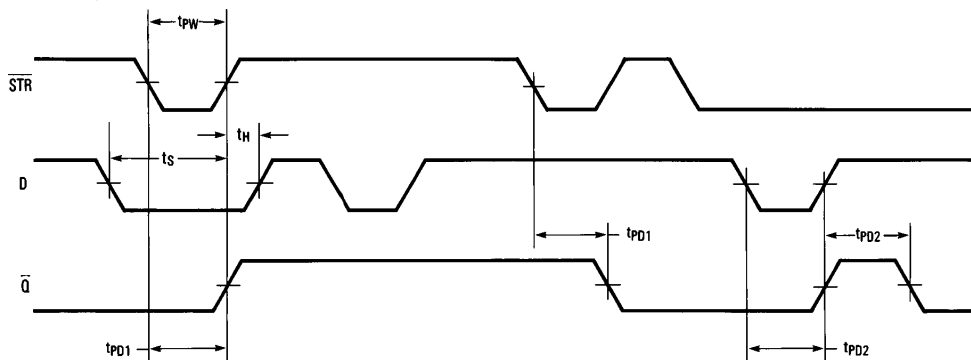
**Note 3:** All currents into device pins are shown as positive; all currents out of device pins are shown as negative. All voltages are referenced to ground, unless otherwise specified.

**Note 4:** When DC testing  $I_{AV}$  or  $I_{OS}$ , only one output should be tested at a time and the current limited to 120 mA max.

**Note 5:** Unless otherwise specified, all AC measurements are referenced from the 50% level of the ECL input to the 0.8V level on negative transitions or the 2.4V level on positive transitions of the output. ECL input rise and fall times are 2.0 ns ± 0.2 ns from 20% to 80%.

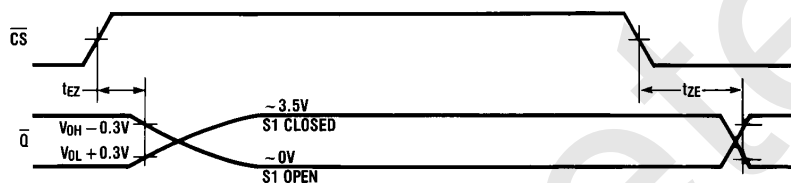
**Note 6:** Caution should be used when latching data while the outputs are switching. TTL outputs generate severe ground noise when switching. This noise can be sufficient to cause the ECL latch to lose data. Board mounting and good supply decoupling are desirable. The worst case conditions are with all outputs switching low simultaneously, the maximum capacitive loading on the outputs and the maximum  $V_{CC}$  supply voltage applied.

## Switching Time Waveforms



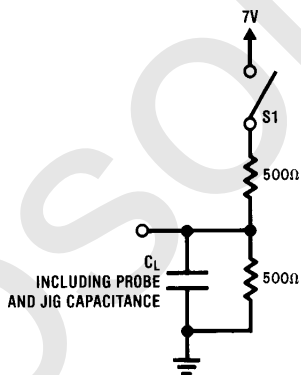
TL/F/5861-2

S1 open



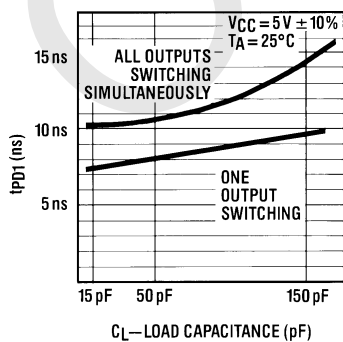
TL/F/5861-3

## Test Load

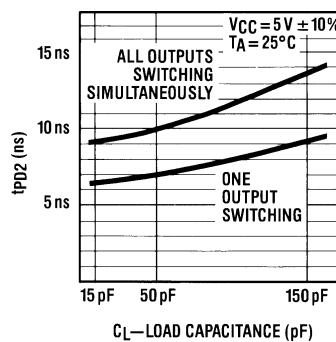


TL/F/5861-4

## Typical Performance Versus $C_L$



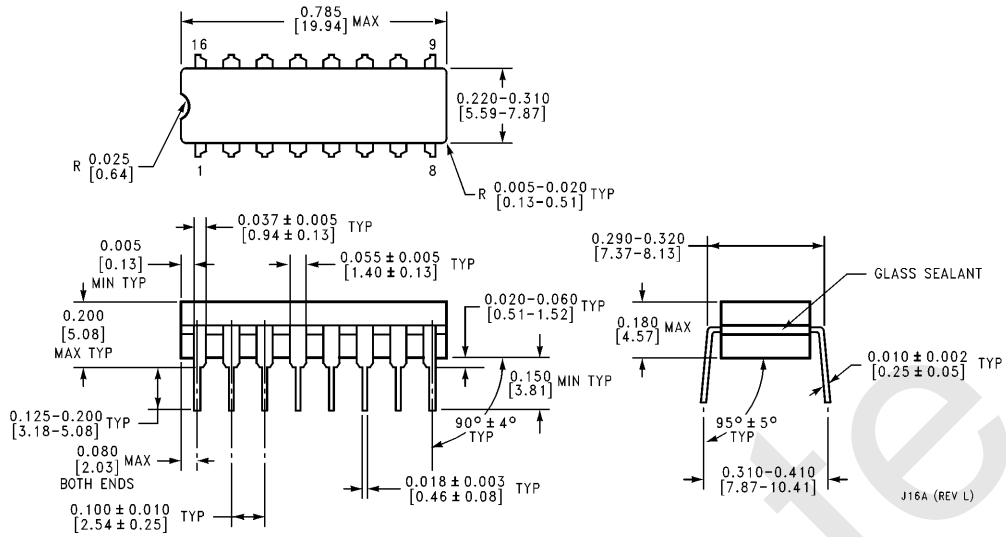
TL/F/5861-5



TL/F/5861-6

Obsolete

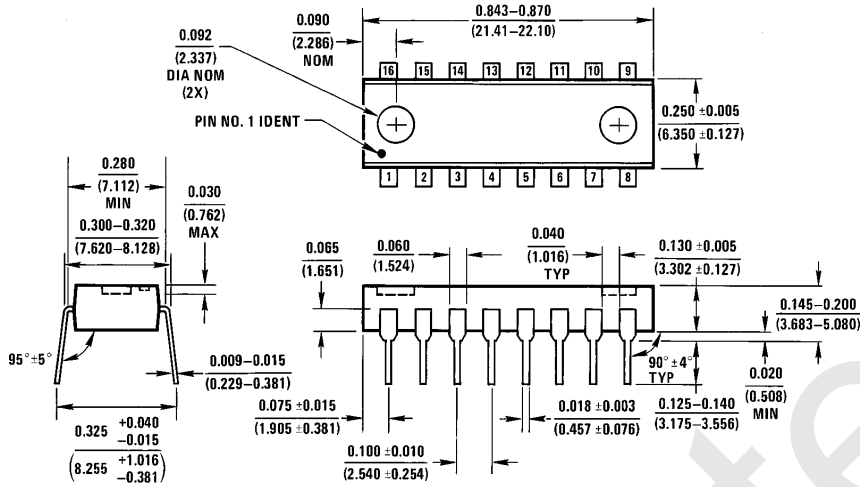
**Physical Dimensions** inches (millimeters)



**Cavity Dual-In-Line Package (J)**  
**Order Number DP8480AJ**  
**NS Package Number J16A**

J16A (REV L)

**Physical Dimensions** inches (millimeters) (Continued)



**Molded Dual-In-Line Package (N)**  
**Order Number DP8480AN**  
**NS Package Number N16A**

N16A (REV E)

**LIFE SUPPORT POLICY**

NATIONAL'S PRODUCTS ARE NOT AUTHORIZED FOR USE AS CRITICAL COMPONENTS IN LIFE SUPPORT DEVICES OR SYSTEMS WITHOUT THE EXPRESS WRITTEN APPROVAL OF THE PRESIDENT OF NATIONAL SEMICONDUCTOR CORPORATION. As used herein:

1. Life support devices or systems are devices or systems which, (a) are intended for surgical implant into the body, or (b) support or sustain life, and whose failure to perform, when properly used in accordance with instructions for use provided in the labeling, can be reasonably expected to result in a significant injury to the user.
2. A critical component is any component of a life support device or system whose failure to perform can be reasonably expected to cause the failure of the life support device or system, or to affect its safety or effectiveness.



**National Semiconductor Corporation**  
 1111 West Bardin Road  
 Arlington, TX 76017  
 Tel: 1(800) 272-9959  
 Fax: 1(800) 737-7018

**National Semiconductor Europe**  
 Fax: (+49) 0-180-530 85 86  
 Email: onjwge@tevm2.nsc.com  
 Deutsch Tel: (+49) 0-180-530 85 85  
 English Tel: (+49) 0-180-532 78 32  
 Français Tel: (+49) 0-180-532 93 58  
 Italiano Tel: (+49) 0-180-534 16 80

**National Semiconductor Hong Kong Ltd.**  
 19th Floor, Straight Block,  
 Ocean Centre, 5 Canton Rd.  
 Tsimshatsui, Kowloon  
 Hong Kong  
 Tel: (852) 2737-1600  
 Fax: (852) 2736-9960

**National Semiconductor Japan Ltd.**  
 Tel: 81-043-299-2309  
 Fax: 81-043-299-2408

National does not assume any responsibility for use of any circuitry described, no circuit patent licenses are implied and National reserves the right at any time without notice to change said circuitry and specifications.