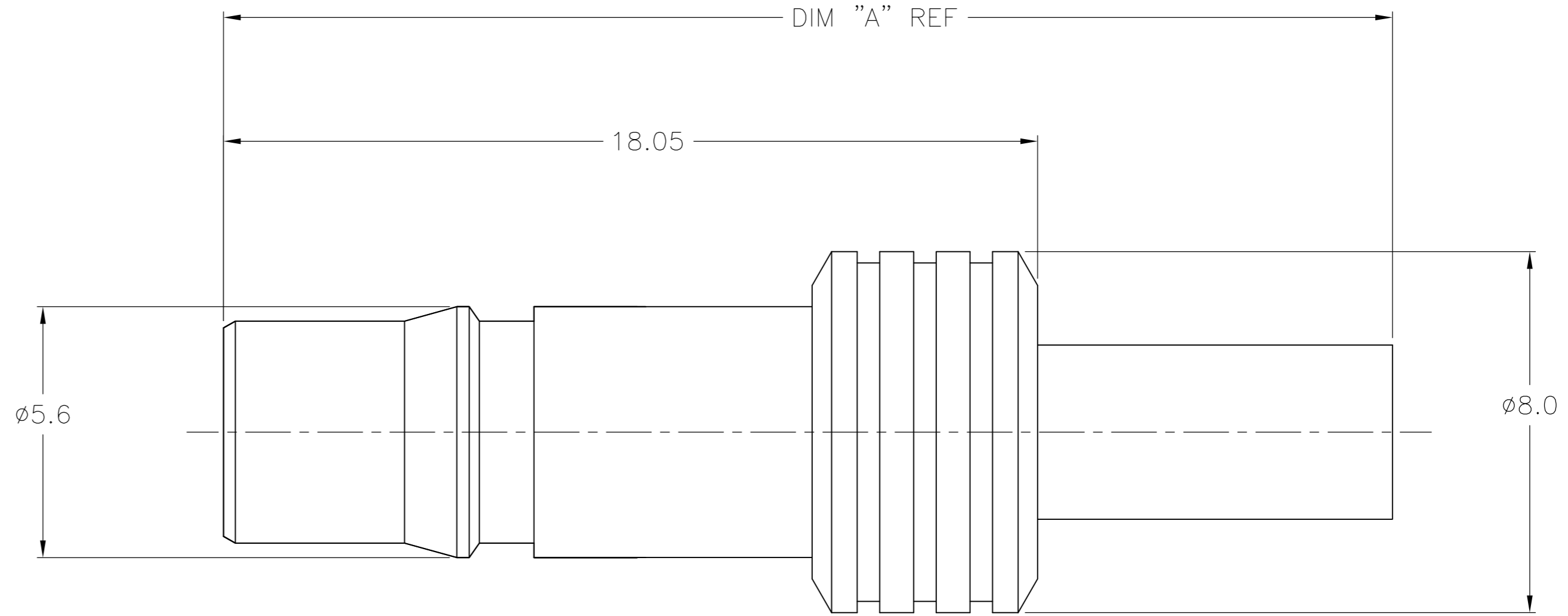


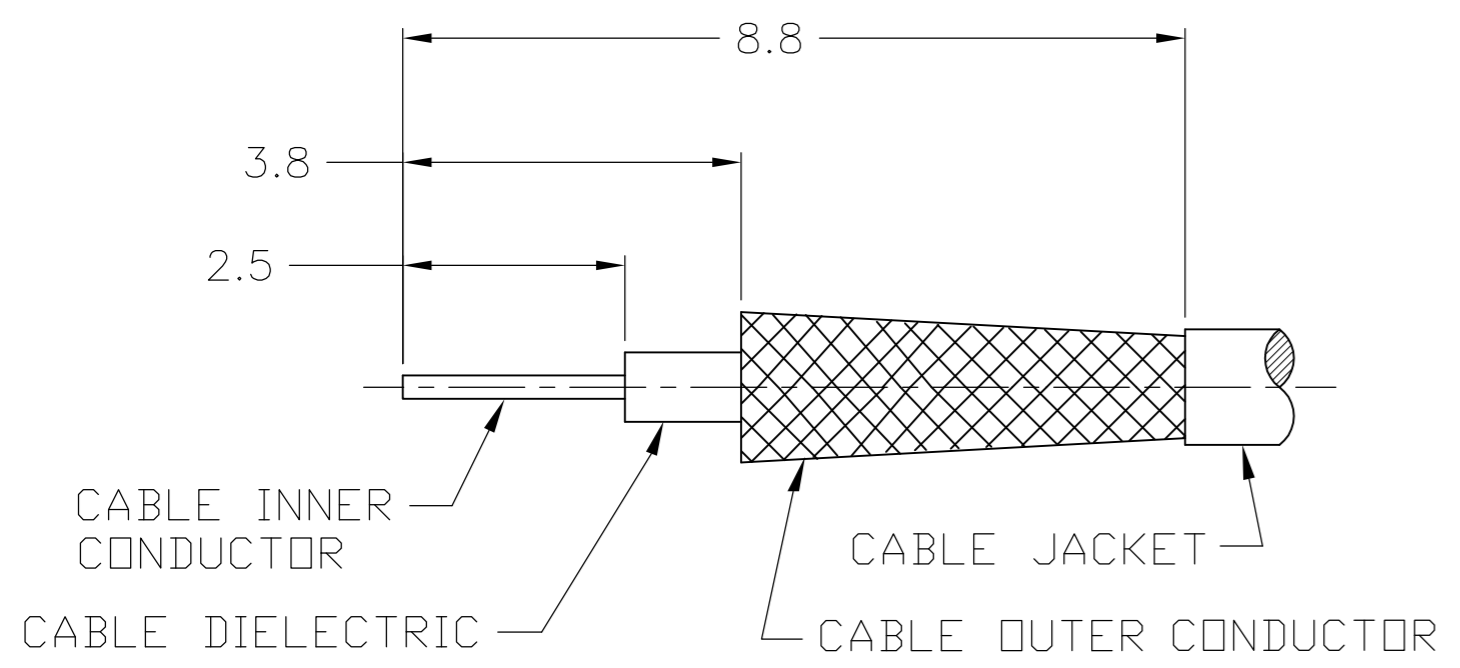
THIS DRAWING IS UNPUBLISHED. RELEASED FOR PUBLICATION  
 © COPYRIGHT BY TYCO ELECTRONICS CORPORATION. ALL RIGHTS RESERVED.

LOC	DIST	REVISIONS			
P	LTR	DESCRIPTION	DATE	DWN	APVD
AJ	16	REVISED PER ECO-08-000700	2/5/2008	DW	BW

- 1. CRIMP FERRULE USING CRIMP DIE HEX SIZE SPECIFIED IN TABLE.
- 2. SINGLE PACKED
- 3. BULK PACKED IN QUANTITIES OF 100
- 4. ASSEMBLE TO CABLE USING IS SHEET 408-8900



CABLE PREPARATION  
SCALE: NTS



3	28.2	5.41	RG58/U, 141, 303 & SF142	1408411-8	9-446556-2	1408448-2	1408338-8
2	28.2	5.41	RG58/U, 141, 303 & SF142	1408411-8	9-446556-2	1408448-2	1408338-7
3	28.2	5.41	RG55/U, 142, 223 & 400	1408411-8	2-1403102-5	1408448-2	1408338-6
2	28.2	5.41	RG55/U, 142, 223 & 400	1408411-8	2-1403102-5	1408448-2	1408338-5
3	25.9	3.83	RD316/U	1408411-4	2-413889-7	1408448-1	1408338-4
2	25.9	3.83	RD316/U	1408411-4	2-413889-7	1408448-1	1408338-3
3	25.9	3.25	RG316/U, 174 & 188	1408411-4	2-413889-4	1408448-1	1408338-2
2	25.9	3.25	RG316/U, 174 & 188	1408411-4	2-413889-4	1408448-1	1408338-1
PACK	DIM A	HEX	CABLE	CONTACT	FERRULE	HSG ASSY	PART NO.

CENTER CONTACT	BERYLLIUM COPPER	GOLD
HOUSING	BRASS	NICKEL
FERRULE	COPPER OR BRASS	NICKEL
DIELECTRIC	PTFE	N/A
COMPONENT	MATERIAL	FINISH

THIS DRAWING IS A CONTROLLED DOCUMENT.

DWN: DCam, 25SEP2002  
 CHK: -  
 APVD: DCam, 2/24/04  
 PRODUCT SPEC: 108-2087  
 APPLICATION SPEC: -

TOLERANCES UNLESS OTHERWISE SPECIFIED:  
 0 PLC ± -  
 1 PLC ± -  
 2 PLC ± 0.10  
 3 PLC ± -  
 4 PLC ± -  
 ANGLES ± 1

MATERIAL: - FINISH: -

WEIGHT: -

CUSTOMER DRAWING

25SEP2002

Tyco Electronics Corporation  
Harrisburg, PA 17105-3608

NAME: QMA STRAIGHT CABLE JACK CRIMP ATTACHMENT

SIZE: A2 CAGE CODE: 00779 DRAWING NO: C=1408338 RESTRICTED TO: -

SCALE: 10:1 SHEET: 1 OF 1 REV: A