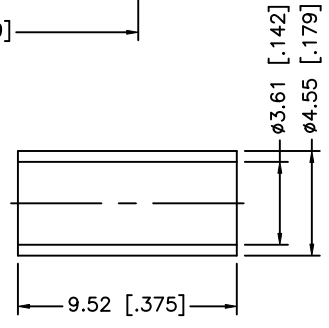
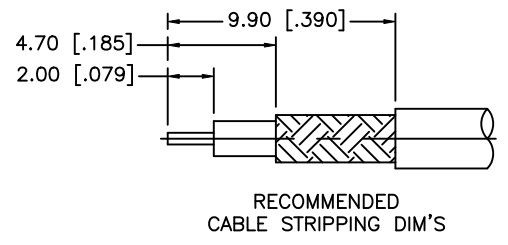
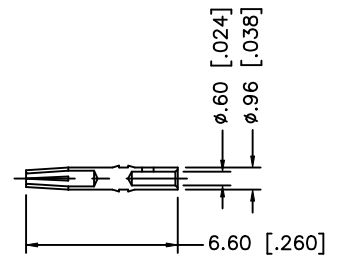
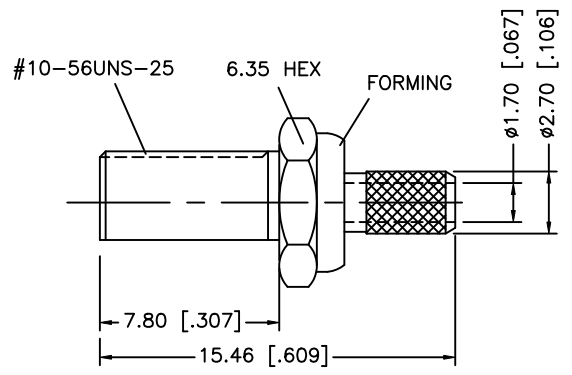
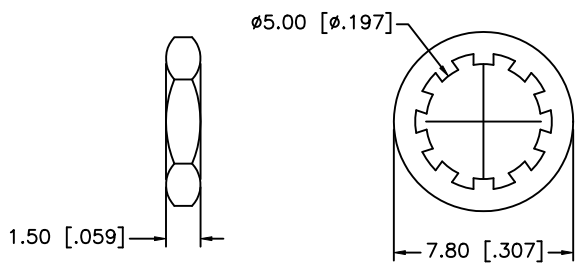
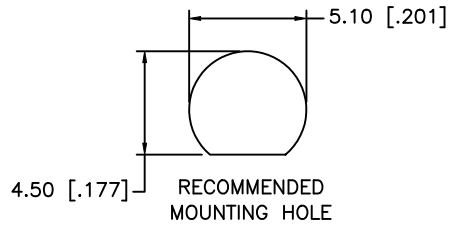


REV.	DATE	ECR NO.	DESCRIPTION
NC	02/31/01	-	INITIAL RELEASE
A	09/15/08	-	UPDATE DRAWING FORMAT/ REVISE BARREL, CONTACT PIN, FERRULE
B	11/08/08	-	REVISE CABLE CALL OUT IN PART DESCRIPTION (316/U DB)



- NOTES:
1. CRIMPED FERRULE HEX CRIMP SIZE .151" [3.83]
  2. CONTACT PIN TO SOLDER
  3. MAX. PANEL THICKNESS = 6.8mm

QTY	DESCRIPTION	MATERIAL	FINISH
1	INSULATOR BODY	BRASS	GOLD
2	INSULATOR	PTFE	NATURAL
3	BARREL	BRASS	GOLD
4	CONTACT PIN	BER. COPPER	GOLD
5	LOCK WASHER	BRASS	GOLD
6	HEX NUT	BRASS	GOLD
7	FERRULE	COPPER	GOLD
8			

UNLESS OTHERWISE SPECIFIED DIMENSIONS ARE IN MILLIMETERS. DIMENSIONS IN [ ] ARE IN INCHES AND FOR CUSTOMER REFERENCE ONLY.

UNLESS OTHERWISE SPECIFIED TOLERANCES FOR MILLIMETERS ARE:  
0.5 - 8mm ± 0.20mm  
8 - 30mm ± 0.40mm  
30 - 120mm ± 0.50mm

UNLESS OTHERWISE SPECIFIED TOLERANCES FOR INCHES ARE:  
.020 - .315 ± 0.007"  
.315 - 1.180 ± 0.015"  
1.180 - 4.724 ± 0.020"

DO NOT SCALE DRAWING

APPROVALS	DATE
DRAWN GRS	11/08/08
CHECKED	
ISSUED	
SHEET 1 OF 1	
CAD FILE	C:/252/252147.DWG

**Amphenol Connex**

PART DESCRIPTION  
**MCX BULKHEAD CRIMP JACK  
(FOR RG316/U DOUBLE BRAID CABLE)**

PART NO.  
**252147**

DWG. NO.	252147.DWG	REV.	B	SIZE	A	SCALE	NA
----------	------------	------	---	------	---	-------	----