

Crystal Oscillator

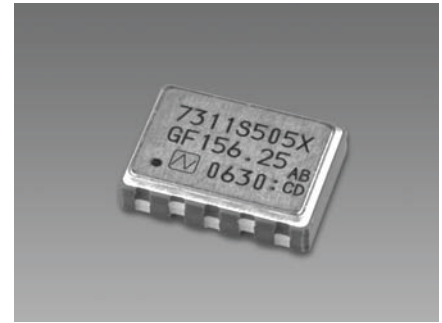
Model Name 7311S-DG Simple Packaged Crystal Oscillator (SPXO) 7300 Series

Main Application

For SONET-, SDH-, and GbEthernet-related equipment

Features

- Power supply voltage is 3.3 V, LVDS output level.
- Output frequency range are 62.5 to 220 MHz.
- Ultra-compact with the dimensions of 7.0 x 5.0 x 1.7 mm.
- A surface-mount crystal oscillator.



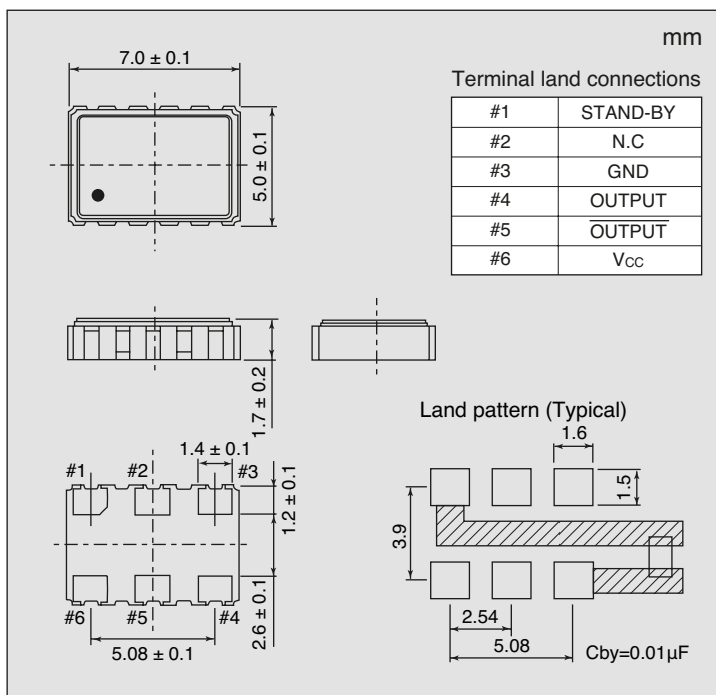
Pb Free

RoHS Compliant
Directive 2002/95/EC

Specifications

Item	Model Classification	7311S				
		DG-255R	DG-505X	DG-104X	DG-505P	DG-104P
Nominal frequency range (MHz)		62.5 to 220				
Supply voltage [Vcc] (V)		+3.3 ± 10 %				
Load resistance		100 Ω (Pad #4 - #5)				
Current consumption	During operation	Max. 60 mA (Typ. 43 mA)				
	During standby	Max. 30 μA				
Output level		LVDS level (Complementary)				
Operating temperature range		0 to +70°C	0 to +85°C		-40 to +85°C	
Frequency tolerance		Max. ±25×10 ⁻⁶	Max. ±50 ×10 ⁻⁶	Max. ±100 ×10 ⁻⁶	Max. ±50 ×10 ⁻⁶	Max. ±100 ×10 ⁻⁶
Symmetry		40 % to 60 % (at 50% Waveform)				
Phase jitter (RMS)		Max. 1ps (12 kHz to 20 MHz)				
Stand-by function (tristate)		Available				
Number for specifying an order		NSA3344C	NSA3345C	NSA3346C	NSA3345L	NSA3346L

Dimensions



Standby Function Table (Tristate)

#1 Input	#4 and #5 output
Level H (V _{IH} ≥ 0.7 V _{CC}) or OPEN	Oscillation output ON
Level L (V _{IL} ≤ 0.3 V _{CC})	High impedance

How to Specify an Order

Model name	-	Frequency (up to 8 digits)	M	-	Number for specifying an order
------------	---	----------------------------	---	---	--------------------------------

When ordering +3.3 V, Max. ±100×10⁻⁶/0 to 85 °C, 125 MHz
7311S-DG-104X-125M-NSA3346C

If you have any queries concerning our standard frequencies and numbers for specifying orders, please contact our sales representatives or visit our homepage (<http://www.ndk.com/>).