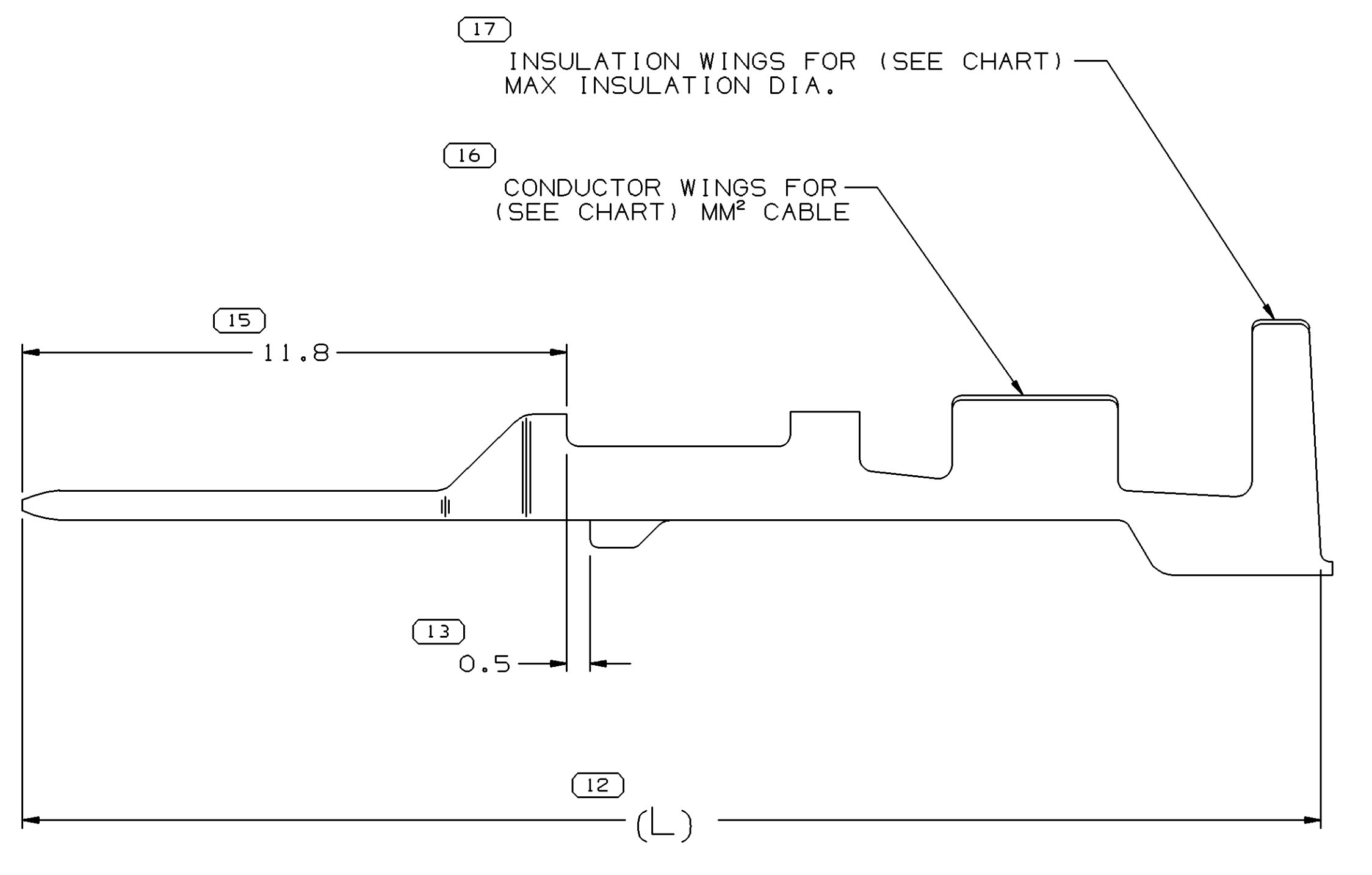
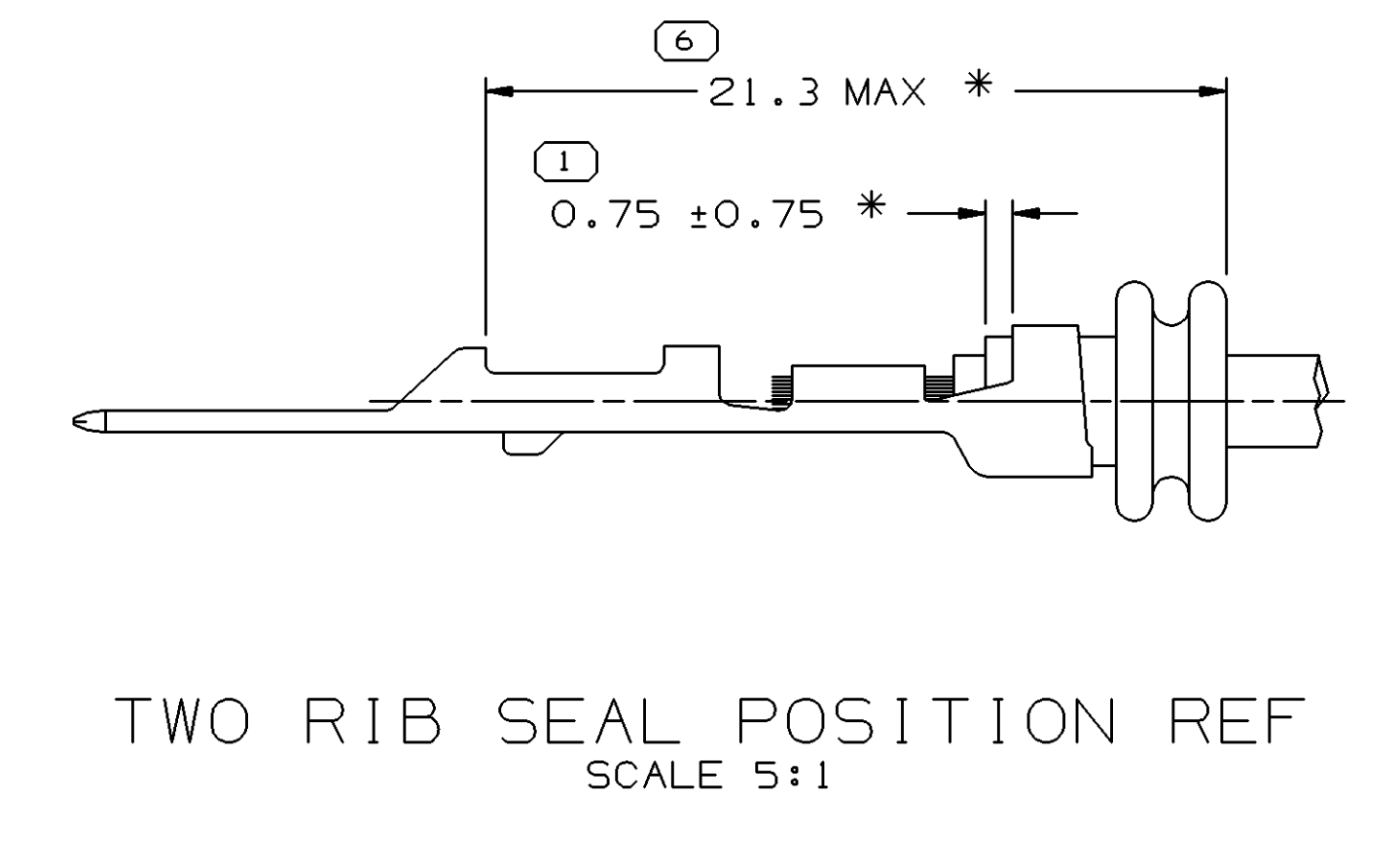
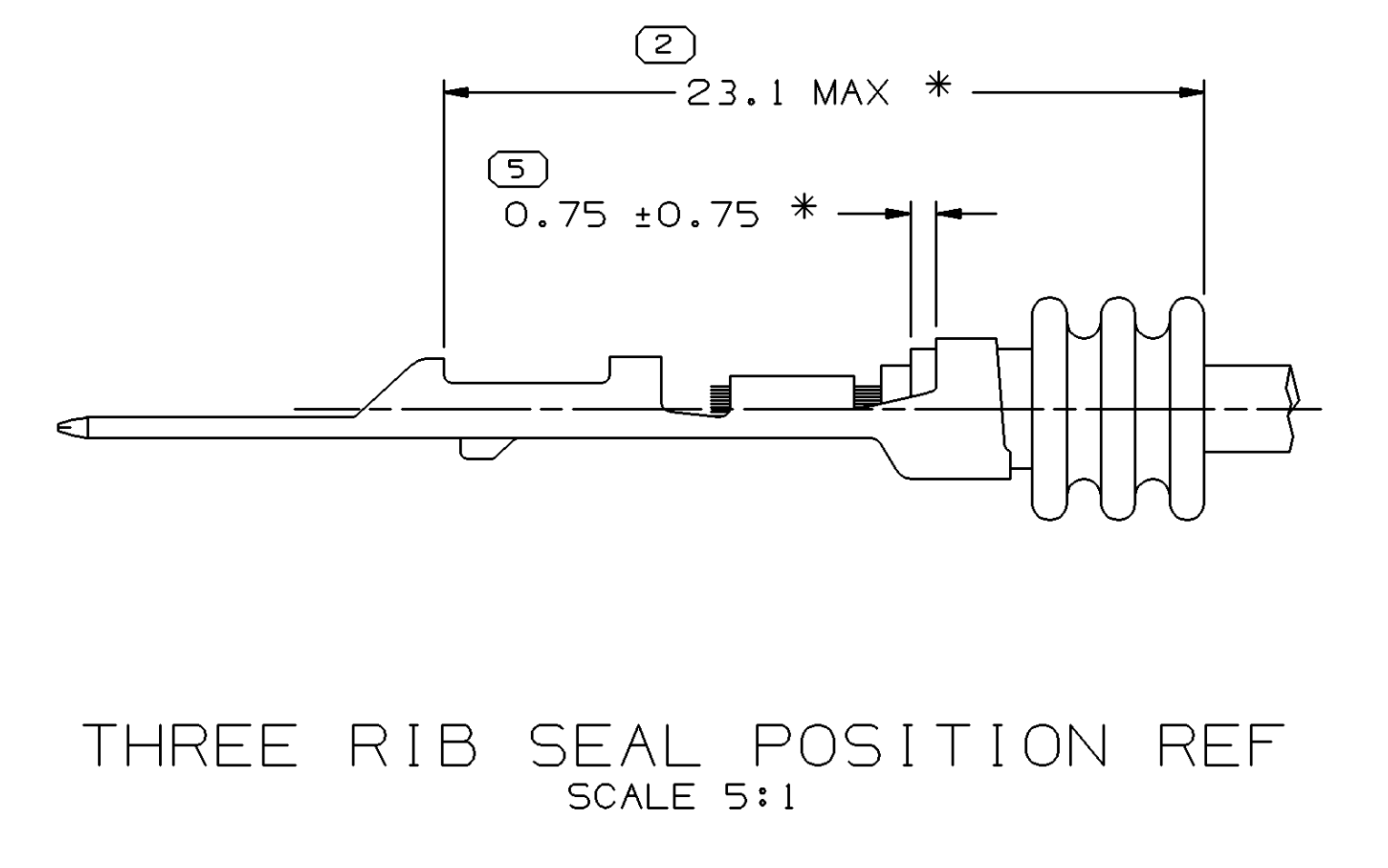
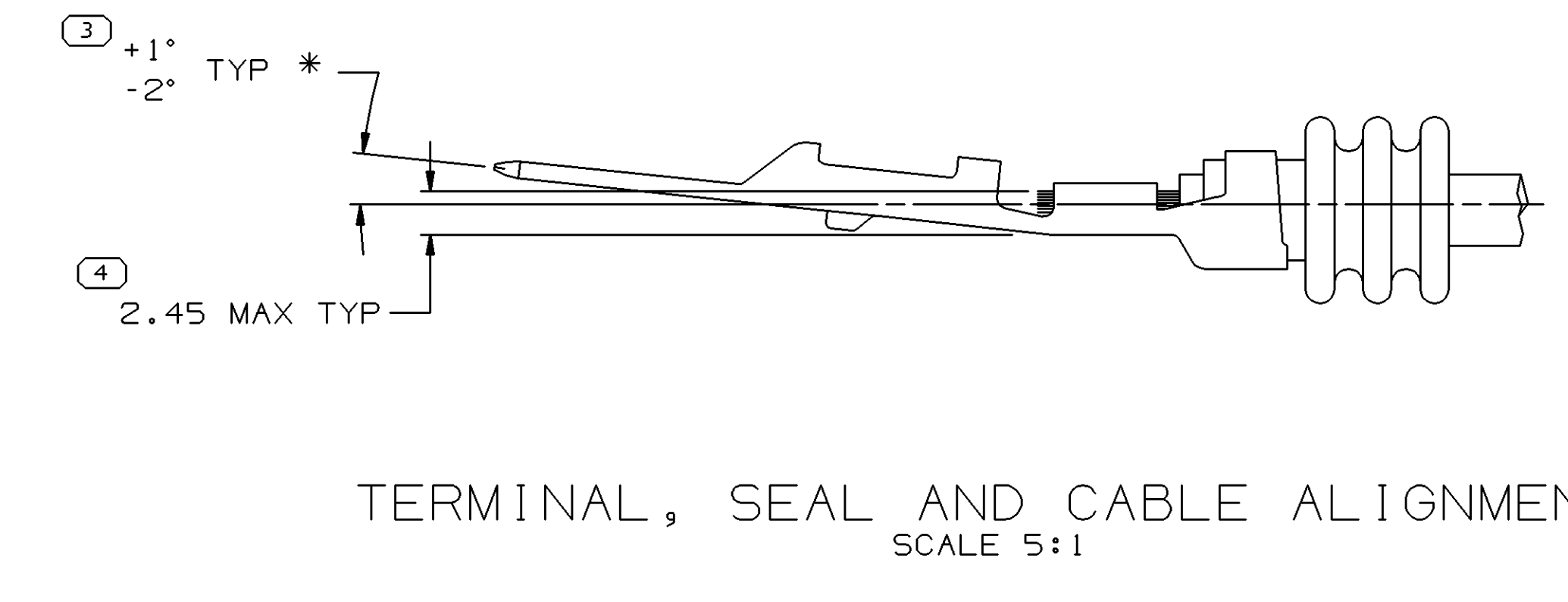
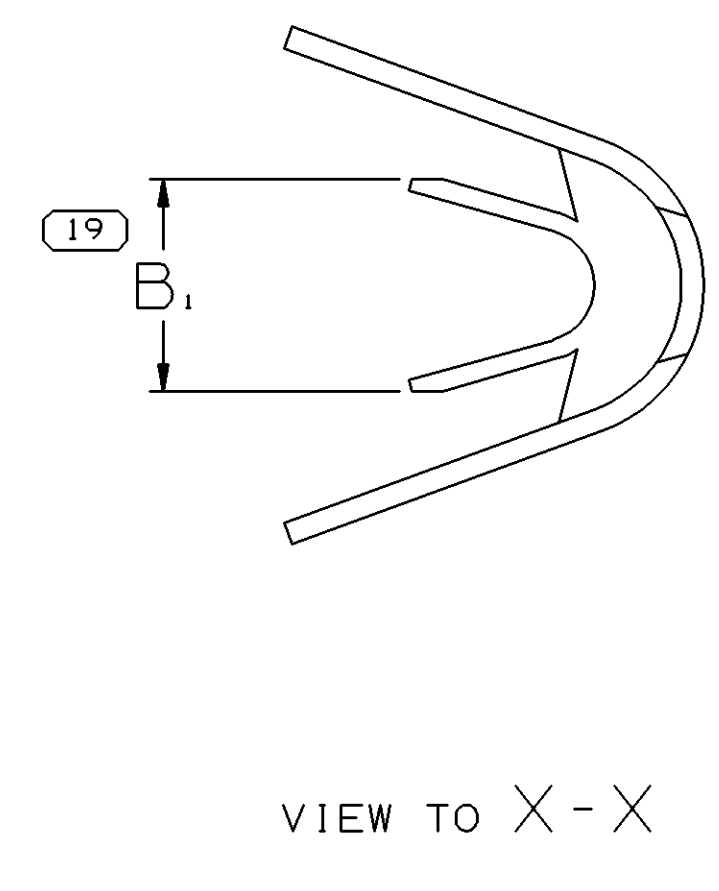
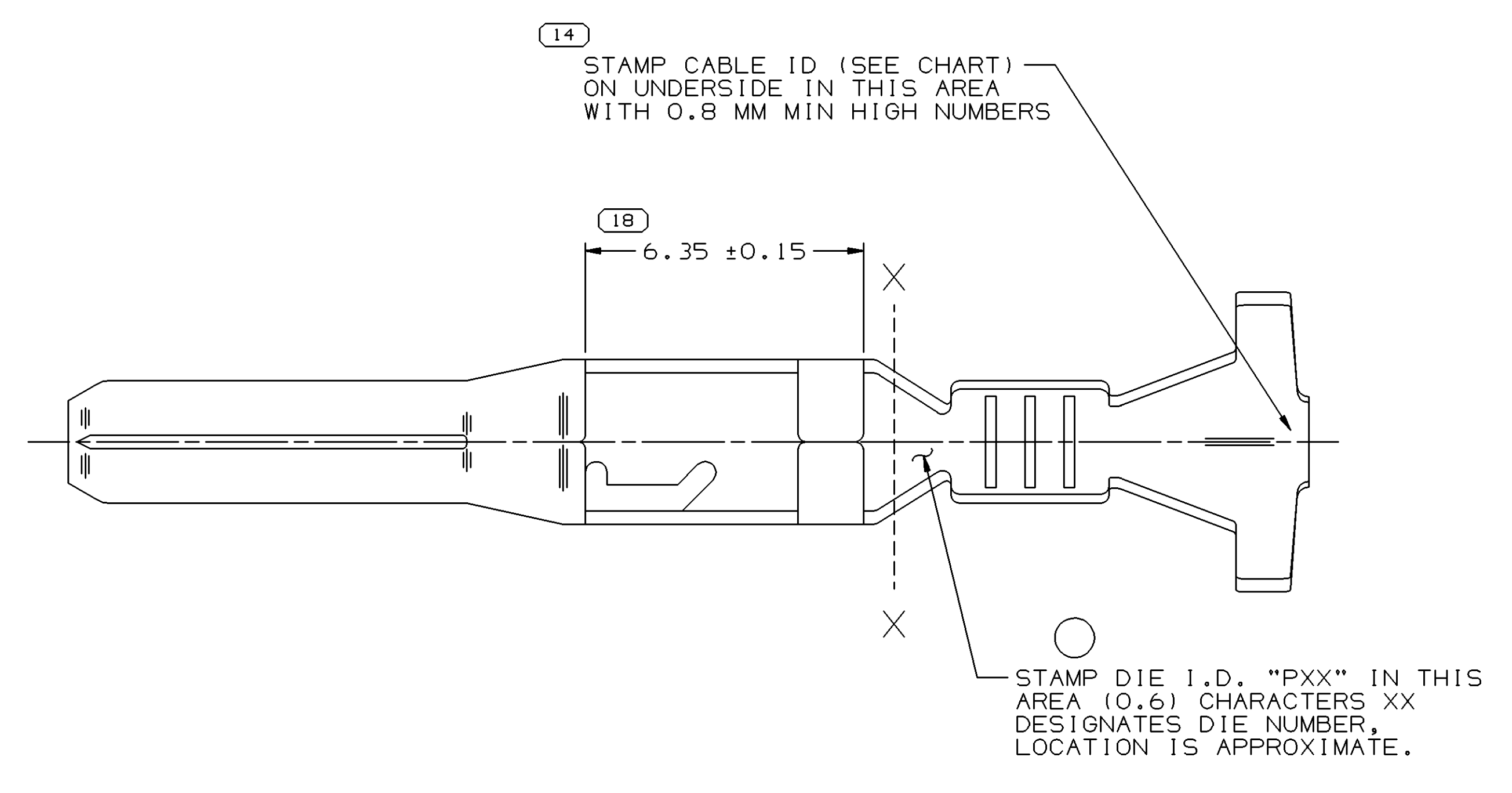
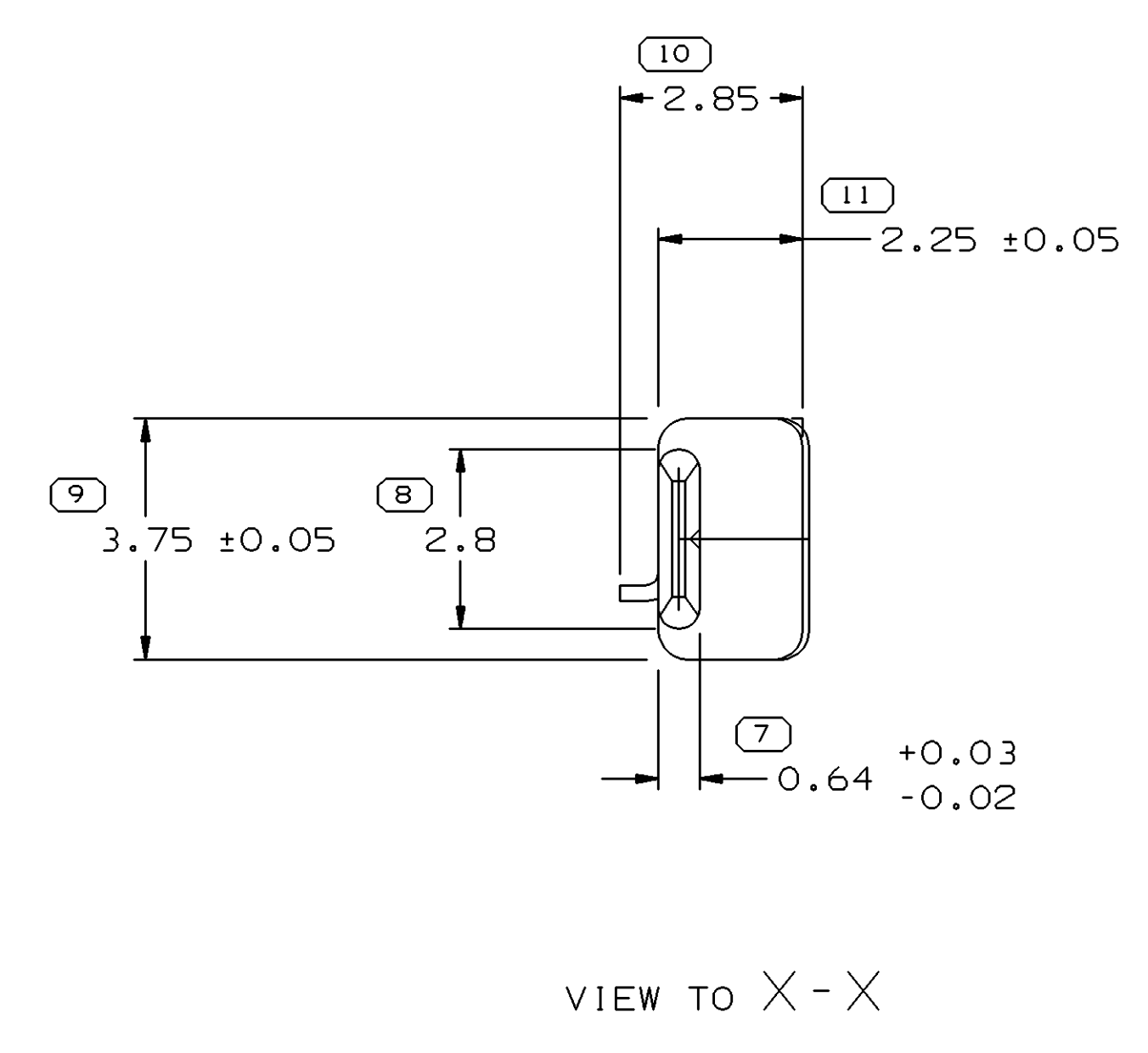


SYMBOL DEFINITION		TOTAL NO OF INSPECTIONS REQUIRED		MISSING SYMBOLS	
A	DIMENSION WITHOUT AN INSPECTION REPORT SYMBOL DOES NOT REQUIRE INSPECTION. IT MAY BE CONTROLLED ON THE INDIVIDUAL COMPONENT DRAWING.	19		NO MISSING SYMBOL NUMBER	
		LAST NO. USED	19		

DWO STATUS				REVISION HISTORY				AUTH			
DATE	STG	REV	N/P	CHO	ZONE				DR	APVD	APVD
30JUL02	R	04	-	-		CLEARED REV COLUMN; ALL PARTS - UPDATED PDM ATTRIBUTES			226419	ECB	JAA/TTP
040004	R	05	-	-		ALL PARTS - ADDED STAMP DIE I.D.			259308	JFB	JVM/MKW



- NOTES
- UNLESS OTHERWISE SPECIFIED AND/OR INDICATED: DIMENSIONS ARE TO FACE OF VIEW SHOWN AND AUTOMATICALLY ROUNDED BY COMPUTER FOR INSPECTION (SEE MATH MODEL FOR PRECISE DIMENSIONS). FOR ALL OTHER DIMENSIONS NOT SHOWN BUT REQUIRED FOR TOOL BUILD, SEE MATH MODEL FOR PRECISE TOOL PATH DATA.
 - MATING COMPONENTS OR EQUIVALENT TERMINAL 1530471B.
 - * DENOTES DIMENSIONS MADE AT CUT-OFF AND CRIMP DIE.

PART NO	REV	N/P	STATUS	MAT'L SIZE	MATERIAL SPECIFICATION AND COLOR	SIZE (MM²)	ID	DIA	TYPE	B _{10.2}	(L)
15336262	B2	-		0.3 X 36.12	M3659A24 C42500 EX HD	1.25 - 2.5	14	3 - 2.05	101	3.7	28.15
15304732	E3	-		0.3 X 36.12	M3659A24 C42500 EX HD	1.5 - 3	13	3.2 - 2.2	101	3.75	28.15
15304731	E3	-		0.3 X 36.12	M3659A24 C42500 EX HD	0.75 - 1	17	2.25 - 1.7	101	2.65	28.15
15304730	C2	-		0.3 X 36.12	M3659A24 C42500 ES HD	0.35 - 0.5	21	1.85 - 1.2	101	2.1	28.15

B PROCESS SENSITIVE DIMENSION

DIMENSIONS ENCLOSED IN () INDICATE REFERENCE DIMENSIONS AND NO TOLERANCE LIMITS ARE ESTABLISHED

DIMENSIONAL RANGE (MM)	CHART ID
FROM 0 TO 15	>12
TOLERANCE UNLESS OTHERWISE SPECIFIED	
±0.1	±0.2
ANGULAR TOLERANCE 12°	

THIRD ANGLE PROJECTION

DO NOT SCALE

USE MATH DATA

DELPHI

DELPHI PACKARD ELECTRIC SYSTEMS
WARREN, OH

DR	DATE
APVD1 N. VERGARA	06JN96
APVD2 T. STEELE	08JN96
APVD3 S.C. HSIEH	28JN96
APVD4	
APVD5	

SUBSTANCES OF CONCERN AND RECYCLED CONTENT PER DELPHI 10949001

MATERIAL SEC CHART

DRAWING NAME
TAXI TERM M GT 280 SEALED

DRAWING NUMBER
15304726

SIZE A0 SCALE 10:1 FRAME NO 1 OF 1 SHEET NO 1 OF 1 REV N/P 05