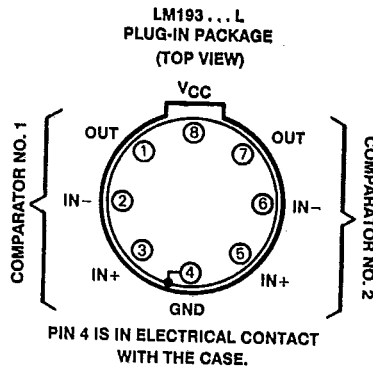
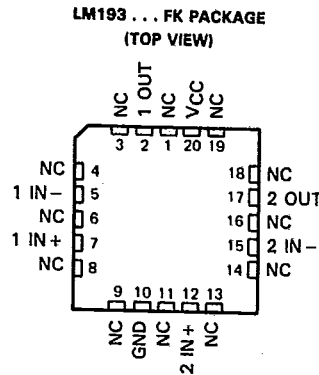
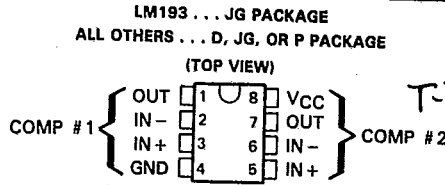


**LM193, LM293, LM393, LM293A, LM393A, LM2903
DUAL DIFFERENTIAL COMPARATORS**

D2232, JUNE 1978—REVISED NOVEMBER 1988

- Single Supply or Dual Supplies
- Wide Range of Supply Voltage ... 2 to 36 V
- Low Supply Current Drain Independent of Supply Voltage ... 0.5 mA Typ
- Low Input Bias Current ... 25 nA Typ
- Low Input Offset Current ... 3 nA Typ (LM139)
- Low Input Offset Voltage ... 2 mV Typ
- Common-Mode Input Voltage Range Includes Ground
- Differential Input Voltage Range Equal to Maximum-Rated Supply Voltage ... ± 36 V
- Low Output Saturation Voltage
- Output Compatible with TTL, MOS, and CMOS



description

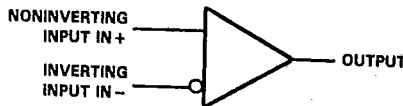
These devices consist of two independent voltage comparators that are designed to operate from a single power supply over a wide range of voltages. Operation from dual supplies is also possible as long as the difference between the two supplies is 2 V to 36 V and pin 8 is at least 1.5 V more positive than the input common-mode voltage. Current drain is independent of the supply voltage. The outputs can be connected to other open-collector outputs to achieve wired-AND relationships.

AVAILABLE OPTIONS

SYMBOLIZATION		OPERATING TEMPERATURE RANGE	V _{IO} MAX AT T _A = 25°C
DEVICE	PACKAGE SUFFIX		
LM193	L, FK, JG	-55°C to 125°C	5 mV
LM293	D, JG, P	-25°C to 85°C	5 mV
LM293A	D, JG, P	-25°C to 85°C	2 mV
LM393	D, JG, P	0°C to 70°C	5 mV
LM393A	D, JG, P	0°C to 70°C	2 mV
LM2903	D, JG, P	-40°C to 125°C	7 mV

The D package is available in tape and reel. Add an R suffix when ordering. (e.g., LM393DR)

symbol (each comparator)



3
Voltage Comparators

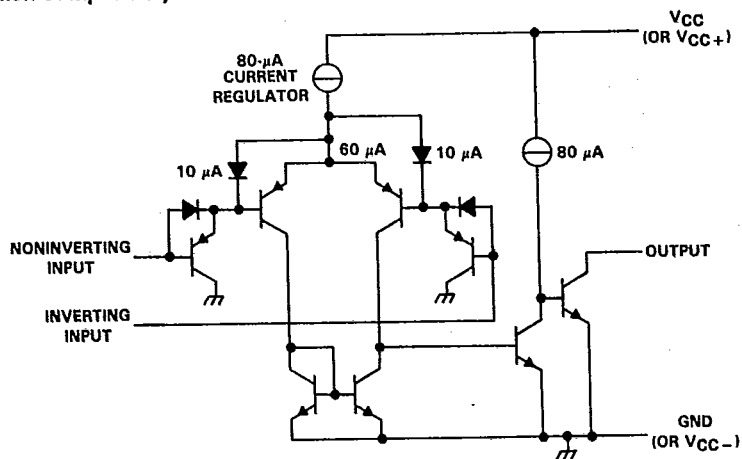
PRODUCTION DATA documents contain information current as of publication date. Products conform to specifications per the terms of Texas Instruments standard warranty. Production processing does not necessarily include testing of all parameters.



POST OFFICE BOX 655012 • DALLAS, TEXAS 75265

Copyright © 1983, Texas Instruments Incorporated

schematic (each comparator)



Current values shown are nominal.

absolute maximum ratings over operating free-air temperature range (unless otherwise noted)

Supply voltage, V_{CC} (see Note 1)	36 V
Differential input voltage (see Note 2)	± 36 V
Input voltage range (either input)	-0.3 V to 36 V
Output voltage	36 V
Output current	20 mA
Duration of output short-circuit to ground (see Note 3)	unlimited
Continuous total dissipation	See Dissipation Rating Table
Operating free-air temperature range: LM193	-55°C to 125°C
LM293, LM293A	-25°C to 85°C
LM393, LM393A	0°C to 70°C
LM2903	-40°C to 125°C
Storage temperature range	-65°C to 150°C
Case temperature for 60 seconds: FK package	260°C
Lead temperature 1,6 mm (1/16 inch) from case for 10 seconds: D or P package	260°C
Lead temperature 1,6 mm (1/16 inch) from case for 60 seconds: JG package	300°C
Lead temperature 1,6 mm (1/16 inch) from case for 10 seconds: L package	300°C

- NOTES: 1. All voltage values, except differential voltages, are with respect to the network ground terminal.
 2. Differential voltages are at the noninverting input terminal with respect to the inverting input.
 3. Short circuits from outputs to V_{CC} can cause excessive heating and eventual destruction.

DISSIPATION RATING TABLE

PACKAGE	$T_A \leq 25^\circ\text{C}$	DERATING FACTOR	DERATE ABOVE T_A	$T_A = 70^\circ\text{C}$	$T_A = 85^\circ\text{C}$	$T_A = 125^\circ\text{C}$
	POWER RATING			POWER RATING	POWER RATING	POWER RATING
D	725 mW	5.8 mW/°C	25°C	464 mW	377 mW	-
FK	900 mW	11.0 mW/°C	68°C	880 mW	715 mW	275 mW
JG (LM193)	900 mW	8.4 mW/°C	43°C	672 mW	546 mW	210 mW
JG (All others)	825 mW	6.6 mW/°C	25°C	528 mW	429 mW	-
L	825 mW	6.6 mW/°C	25°C	528 mW	429 mW	165 mW
P	900 mW	8.0 mW/°C	37°C	640 mW	520 mW	-

LM193, LM293, LM393, LM293A, LM393A, LM2903
DUAL DIFFERENTIAL COMPARATORS

T-73-53

electrical characteristics at specified free-air temperature, VCC = 5 V (unless otherwise noted)

PARAMETER	TEST CONDITIONS†	LM193			LM293, LM393			LM293A, LM393A			LM2903			UNIT
		MIN	TYP	MAX	MIN	TYP	MAX	MIN	TYP	MAX	MIN	TYP	MAX	
V _{IO} Input offset voltage	V _{CC} = 5 V to 30 V, V _C = V _{ICR} , V _O = 1.4 V	2	5	9	2	5	9	1	2	4	2	7	mV	
I _{IO} Input offset current	V _O = 1.4 V	3	25	100	5	50	150	5	50	150	5	50	nA	
I _{IB} Input bias current	V _O = 1.4 V	25	100	300	25	100	250	25	250	250	25	250	nA	
V _{ICR} Common-mode input voltage range‡		0 to V _{CC} -1.5			0 to V _{CC} -1.5			0 to V _{CC} -1.5			0 to V _{CC} -1.5		V	
A _{VD} Large-signal differential voltage amplification	V _{CC} = 15 V, V _O = 1.4 V to 11.4 V, R _L ≥ 15 kΩ to V _{CC}	50	200		50	200		50	200		25	100	V/mV	
I _{OH} High-level output current	V _{OH} = 5 V, V _{ID} = 1 V	0.1			0.1	50		0.1	50		0.1	50	mA	
V _{OL} Low-level output voltage	V _{OH} = 30 V, V _{ID} = 1 V	150	400		150	400		150	400		150	400	mV	
I _{OL} Low-level output current	I _{OL} = 4 mA, V _{ID} = -1 V	700			700			700			700		mA	
I _{CC} Supply current	V _{OL} = 1.5 V, V _{ID} = -1 V	6			6			6			6		mA	
	R _L = ∞	0.8	1	2.5	0.8	1	2.5	0.8	1	2.5	0.8	1	mA	

† Full range (MIN to MAX) for LM193 is -55°C to 125°C, for LM293 and LM393A is 25°C to 85°C, for the LM393 and LM393A is 0°C to 70°C, and for LM2903 is -40°C to 125°C. All characteristics are measured with zero common-mode input voltage unless otherwise specified.
‡ The voltage at either input or common-mode should not be allowed to go negative by more than 0.3 V. The upper end of the common-mode voltage range is V_{CC} - 1.5 V, but either or both inputs can go to 30 V without damage.

switching characteristics, VCC = 5 V, TA = 25°C

PARAMETER	TEST CONDITIONS	MIN	TYP	MAX	UNIT

§ C_L includes probe and jig capacitance.
NOTE 4: The response time specified is the interval between the input step function and the instant when the output crosses 1.4 V.



Voltage Comparators