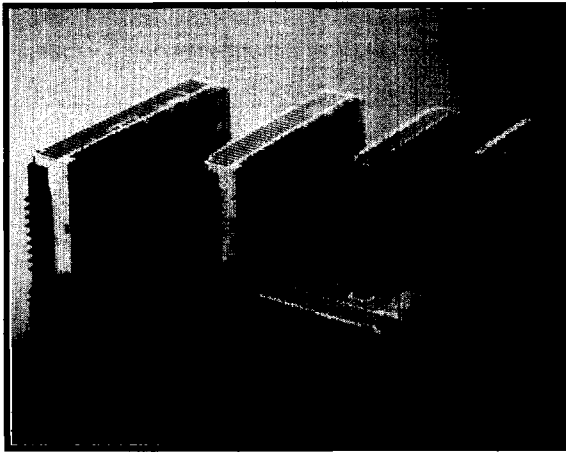




# ERK SERIES

## Dual Output Models



### Features:

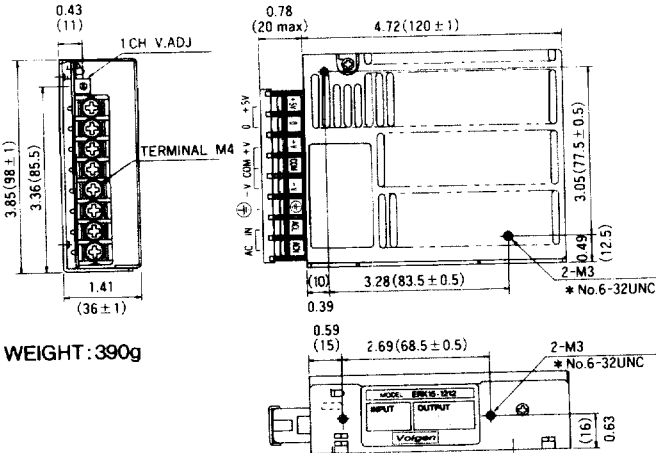
- 15W, 30W, & 50W Dual Models
- Universal Input (AC85-264V)
- EMI FCC Class B
- Metal Chassis with Cover
- Internal EMI Filter
- High Reliability
- Low Cost, High Performance
- Two Year Warranty

SPECIFICATIONS	
INPUT VOLTAGE	AC100 ~ 120/200-240V (AC85-264V) (DC 110 - 340V)
INPUT FREQUENCY	50/60 Hz (47 ~ 63 Hz )
INPUT CURRENT (AC100/240V)	ERK15W .45/.25a Max; ERK30W .8/.45A Max, ERK50W 1.3/.7a Max
INRUSH CURRENT	ERK15w 12A Max (AC100V), 28A (AC240V) at 25° C ERK30W 12A Max (AC100V), 28A (AC240V) at 25° C ERK50W 20A Max (AC100V), 45A (AC240V) at 25° C
VOLTAGE ADJUST RANGE	CH1: 0 to 5%, CH2: Fixed (Factory Set Accuracy +/- 5%)
LINE REGULATION	0.6% Max (AC85-132V/170-264V)
LOAD REGULATION	CH1: 0.8%Max (0-100% Load), CH2: 5%Max (0-100% Load) at CH1 No Less Than 0.1A
RIPPLE NOISE (DC ~ 100MHZ)	5V output:<100mVp-p, 12V/15V output:<150mVp-p, 24V output:<200mVp-p
OVER VOLTAGE PROTECTION	Built-In CH1: 115-150%
OVER CURRENT PROTECTION	Built-In CH1, CH2 110%+
TEMPERATURE COEFFICIENT	0.02%/C°
DRIFT	0.5%+15mV/8 hours (after 1 hour warm-up)
HUMIDITY	25 - 85% RH
DIELECTRIC WITHSTANDING VOLTAGE	Primary to Secondary AC 3.0kV Primary to Case AC 2.5kV (1min traceable current 20mArms) Secondary to Case AC 500V
ISOLATION RESISTANCE	Primary to Secondary to Case 100m ohm Min
LEAKAGE CURRENT	0.7mA
SAFETY	UL 1950, CSA 22.2 No.234 EN 60 950
EMI / RFI	FCC - B, VDE 0871B, CISPR-B
OPERATING TEMPERATURE	0°C to +50° C (See Fig. 1)
STORAGE TEMPERATURE	-20° - 85° C
SHOCK TEST PROCEDURES	Vibration: 0.5mm width, 10 - 55 Hz / 1 min. cycle, 3 directions each 30 minutes Shock: 20G (3 directions each 3 times)

MODEL	OUTPUT		OUTPUT		Maximum Output Power	Efficiency
	VOLT	AMPS	VOLT	AMPS		
ERK15-1212W	12V	1.2A	12V	0.6A	16W	65%
ERK15-1515W	15V	1.0A	15V	0.5A	16W	65%
ERK30-1212W	12V	1.5A	12V	1.2A	30W	68%
ERK30-1515W	15V	1.2A	15V	1.0A	30W	68%
ERK30-0512W	5V	4.0A	12V	2.0A(PK3.0A)	30W(PK40)	68%
ERK30-0524W	5V	4.0A	24V	1.0A(PK1.5A)	30W(PK40)	68%
ERK50-0512W	5V	6.0A	12V	3.0A(PK3.5A)	50W(PK55W)	70%
ERK50-0524W	5V	6.0A	24V	1.5A(PK2.0A)	50W(PK55W)	70%

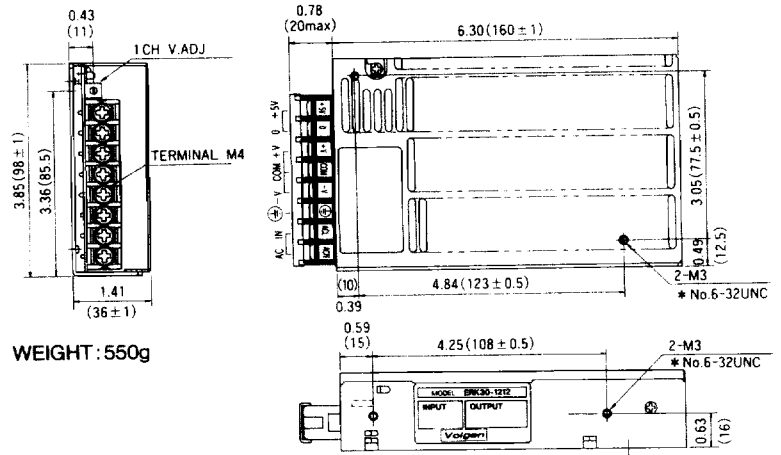
\* TOTAL OUTPUT WATTAGE : ERK15(16W MAX), ERK30(30W MAX), ERK50(50W MAX), ERK70(70W MAX)

● ERK15



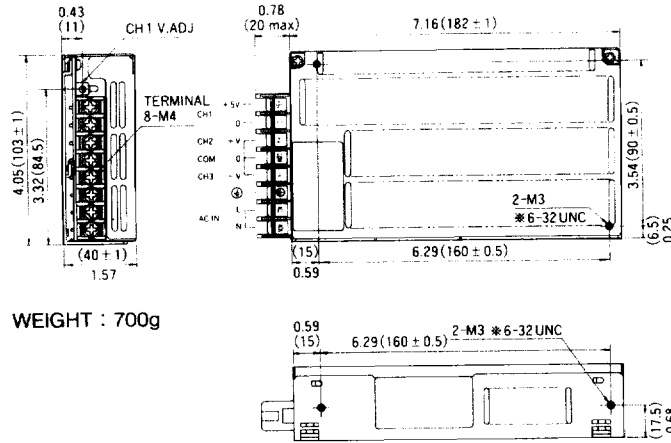
WEIGHT : 390g

● ERK30



WEIGHT : 550g

● ERK50



WEIGHT : 700g

UNIT : Inch(mm)

Ordering Information

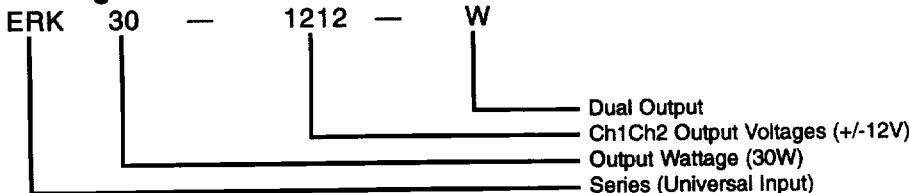
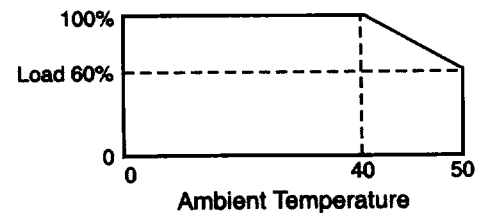


Fig. 1 Derating Curve



Specifications subject to change without notice.



Volgen America, Inc.

1690 McCandless Drive, • Milpitas, CA 95035 • Tel: (408) 941-9696 • Fax: (408) 941-9697