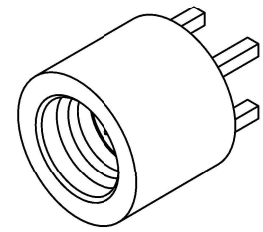


CATALOG NUMBER

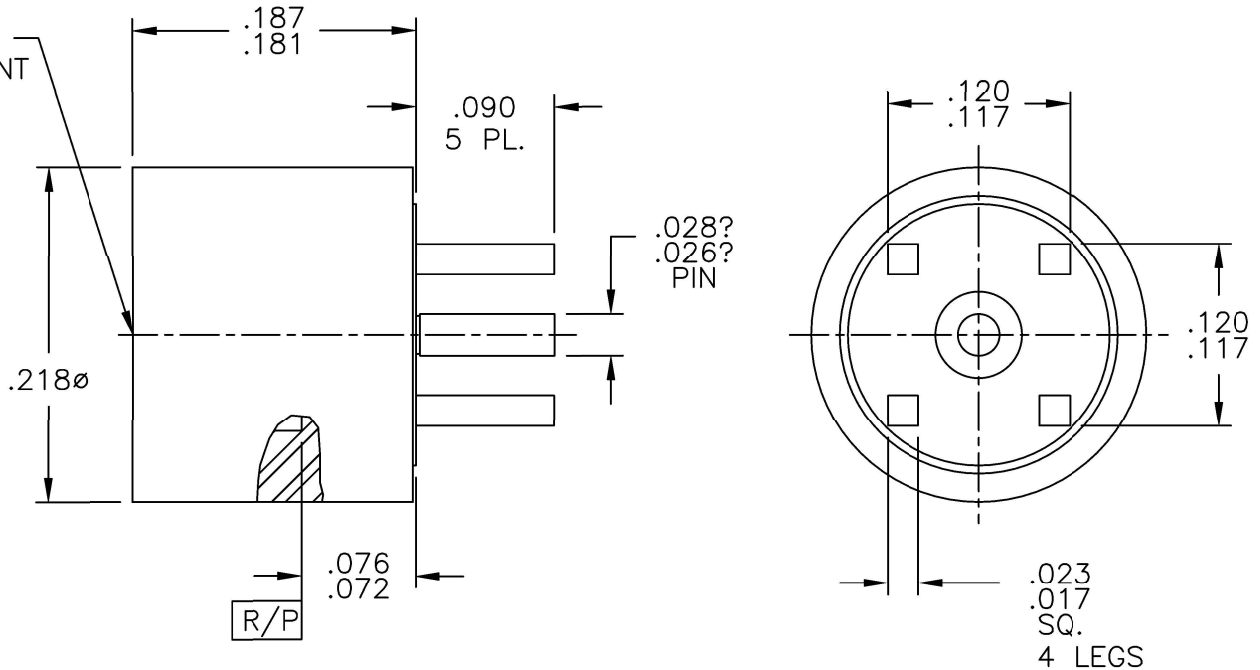
0119-721-3

MATERIAL AND FINISH

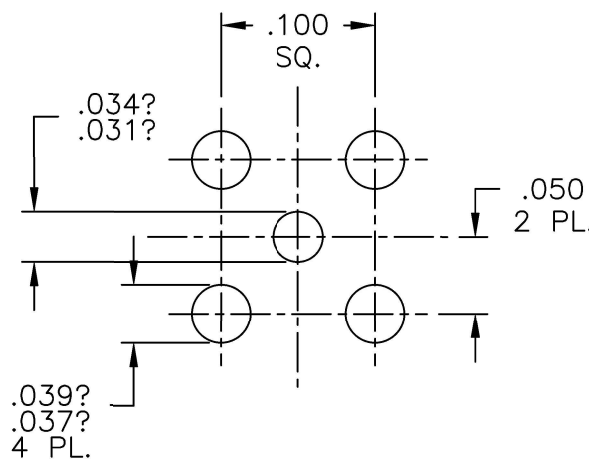
HOUSING: CRES 303; PASSIVATED  
 CENTER CONTACT AND BUSHING: BeCu; GOLD PLATE 50-100 MICRINCHES OVER NICKEL PLATE 50 MICRINCHES MIN.  
 DIELECTRICS: VIRGIN PTFE (TEFLON)



GPO MALE LIMITED DETENT INTERFACE



MOUNTING HOLES AND PATTERNS



This drawing and any data contained herein is the property of Corning Gilbert Inc., and constitutes and contains proprietary and confidential information. Neither receipt nor possession of this drawing confers or transfers any right to duplicate, use or disclose any information contained herein except as expressly authorized by Corning Gilbert Inc.

GPO MALE LIMITED  
 DETENT STRAIGHT  
 TO P.C. BOARD

IDENT CODE:  
 82316

REVISION: J

**Corning Gilbert Inc.**

SOURCE FILE: MECR# 959

DWG. NO.: SS-7000-5

ASSY. PROC.: -