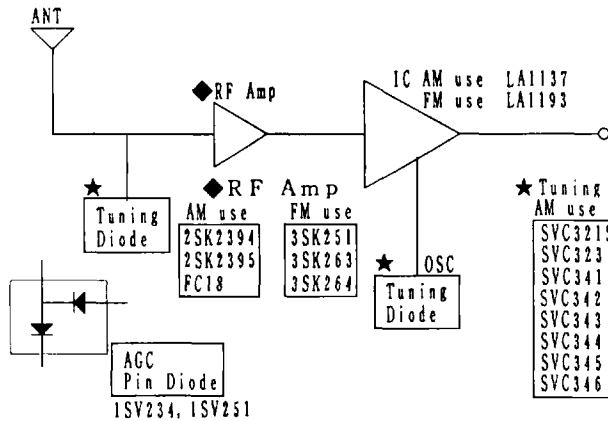


Introduction of High-Frequency Devices

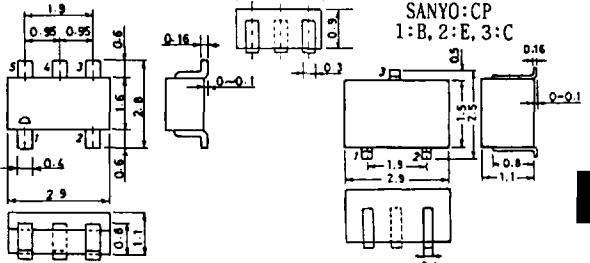
1. AM, FM Tuner



Case Outlines (unit:mm)
For TRs SANYO:MCP
1:Base, 2:Emitter, 3:Collector

SANYO:CP5
1, 2:C
3, 5:B
4:E

SANYO:CP
1:B, 2:E, 3:C



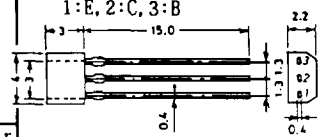
* Table of Main Products Transistors (Ta=25°C)

Type No.	Package	Absolute Maximum Ratings				Electrical Characteristics		Remarks
		VCBO (V)	VCEO (V)	IC (mA)	PC (mW)	fT typ (MHz)		
2SA1177	SPA	30	20	30	150	230	HF general Amp	
2SA1857	MCP	15	12	50	150	750	HF general Amp	
2SC2314	TO126	75	45	1000	750	250	27MHz CB transceiver Driver applications	
2SC2814	CP	30	20	30	150	320	HF general Amp, FM tuner RF Amp	
2SC2839	SPA	30	20	30	150	320	HF general Amp, Mix, OSC, OSC Amp	
2SC2999	SPA	25	20	30	150	750	HF general Amp, Mix, OSC, OSC Amp	
2SC3000	NP	30	20	30	250	320	HF general Amp, Mix, OSC, OSC Amp	
2SC3142	CP	25	20	30	150	750	HF general Amp, RF Amp	
2SC4399	MCP	30	20	30	150	320	HF general Amp.	
2SC4400	MCP	40	18	50	150	750	HF general Amp, FM, RF, MIX, IF Amp	
2SC4433	SPA	40	18	50	300	750	HF general Amp.	

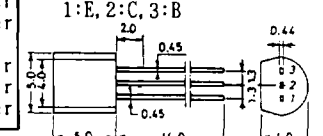
* FET (Ta=25°C)

Type No.	Package	Absolute Maximum Ratings			Electrical Characteristics		Remarks
		VGS0 *VDSS (V)	ID (mA)	P (mW)	yfs typ (mS)	Crss typ (pF)	
2SK2394	CP	15	50	200	38	3	High- yfs , low-noise, RF Amp AM tuner
2SK2395	SPA	15	50	300	33	3	High- yfs , low-noise, RF Amp AM tuner
FC18	CP5	FET 15 TR 50	IG 10 150	200 200	38	2.7	2SK2394X1 - Chips used 2SC4639X1 - RF Amp AM tuner
3SK251	CP4	VDS 15	30	200	18	0.02	Dual-gate MOS, RF Amp FM tuner
3SK263	CP4	15	30	200	14	0.015	Dual-gate MOS, RF Amp FM tuner
3SK264	CP4	15	30	200	18	0.15	VHF RF amp FM tuner

SANYO:SPA
1:E, 2:C, 3:B



SANYO:NP
1:E, 2:C, 3:B



* IOCAPs (Varactor) (Ta=25°C)

Type No.	Package	Absolute Maximum Ratings		Electrical Characteristics	
		VR (V)		C (pF)	
		min	max	min	max
SVC201SPA	SPA	16	1.6	28.19~37.45	
SVC202SPA	SPA	16	7.5	10.17~12.99	
SVC203SPA	SPA	16	3	36.92~43.03	
SVC203CP	CP	16	8	12.64~16.84	
SVC208	CP	16	1	58.8~65.98	
SVC211SPA	SPA	32	3	10.84~13.4	
SVC212	CP	16	8	36.92~43.03	
SVC253	CP	16	25	12.64~16.84	
			3	37~42	
			5	14.8~18.2	
			8	43~47.5	
			8	24.5~28.8	
			1	51~76	
			9	9.5~15.5	

* AM electronic tuning use

Type No.	Package	Absolute Maximum Ratings		Electrical Characteristics	
		VR (V)		C (pF)	
		min	max	min	max
SVC321SPA	SPA	16	1.2	388.1~459.1	
SVC323	SPA	16	8	20.3~27.05	
SVC341	PCP	16	1	462.8~536.7	
SVC342	NP	16	8	21.12~27.05	
SVC343	PCP	30	1	423~503	
SVC344	NP	30	9	17.5~23.5	
SVC345	PCP	33	1	410~445	
SVC346	NP	33	4.5	21~26	
SVC352	SEP5	16	1	460~540	
SVC353	MFP6	16	8	21~27	
SVC354	MFP6	16	8	460~540	
SVC363	MFP6	16	1	428~500	
SVC364	MFP6	16	8	20.5~27	
SVC371	SOP8	16	1	460~540	
			8	19~26	

Pin Diodes (Ta=25°C)

VR=50V, C=0.23PF (typ)
In case of PCP
C=0.7PF (typ).

Pack- age	Connec- tion type	Conditions IF=10mA, f=100MHz				Conditions IF=50mA, f=470MHz	
		2.5Ω	3.5Ω	5Ω	7.5Ω	0.5Ω	
		For antenna SW.					
MCP	Single	1SV263	1SV248	1SV247			
	Series	1SV264	1SV249	1SV246			
CP	Single	1SV266	1SV250	1SV233	1SV294	1SV272 (C=0.6PF)	
	Series	1SV267	1SV251	1SV234			
CP5	Palalle	1SV265		1SV241			
PCP	Single					1SV268 (C=0.7PF)	

These specifications are subject to change without notice.