

### Delphi 11 mm ABX-3 Squib Connectors

#### ► Features

- Scoop-improved interface
- CPA (Connector Position Assurance) option is available
- Reversed locking legs
- Delivered in different wire lengths, wire gauges and types; please consult us for customization

#### ► Technical Characteristics

Interface	FCI
Serviceability	Serviceable
EMI filtering device	Ferrite
Locking type	Reversed locking legs
Termination technology	Crimping
Contact resistance	< 10 mΩ
Dielectric test	750V / DC
Temperature range	-40°C to +85°C
Pull-out force	> 150 N



Delphi 11 mm ABX-3 Squib Connectors

#### ► Main Part Numbers

Right angle version	
Product code	FFR 90-3
Coding A	54550266
Coding B	54550267
Coding C	54550268
Straight version	
Product code	FFR 180-3
Coding A	61207100
Coding B	61207110
Coding C	61207120

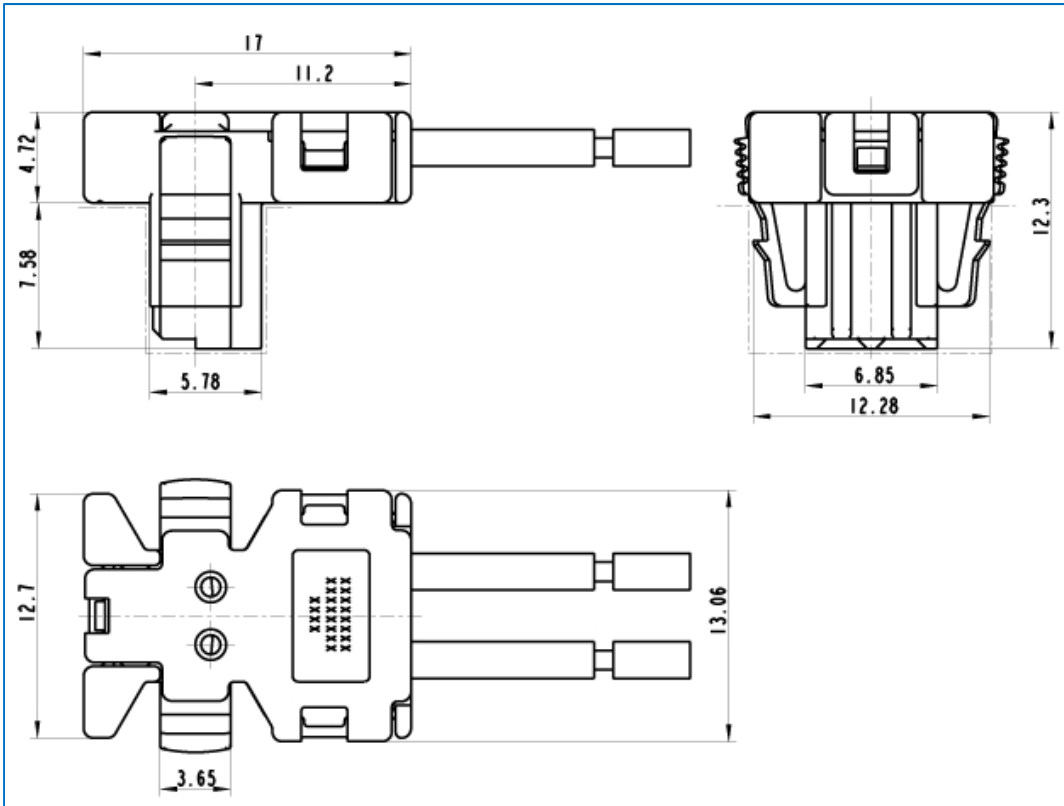
**Note:** user specifies pigtail wire length, wire gauge and wire type. Contact us for specification assistance.

#### ► The Delphi Advantage

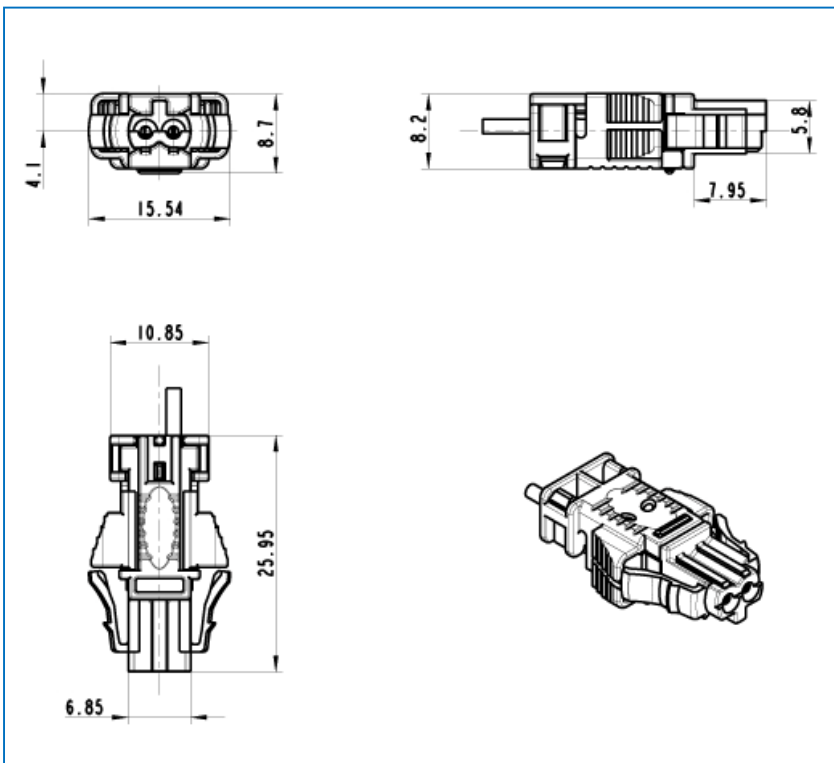
Delphi is one of the world's leading automotive suppliers of advanced terminals, connectors, sealing, wiring and cable products. Delphi's deep understanding of various connection system technologies and the company's vast research and development capabilities have enabled continuing innovation.

Delphi is a source for high value solutions and our expertise is built into every product. Delphi has a thorough understanding of markets around the world and a global network of resources. Delphi relies on its global capabilities, consistent processes, and extensive testing to develop and manufacture a comprehensive offering of terminals, connectors, sealing, wiring and cable products. The result is that Delphi provides customers with robust, reliable products and world-class quality.

Connect with us at: [www.delphi.com/connectors](http://www.delphi.com/connectors)



**ABX-3 FFR90**



**ABX-3 FFR180**

**Dimensions in mm**