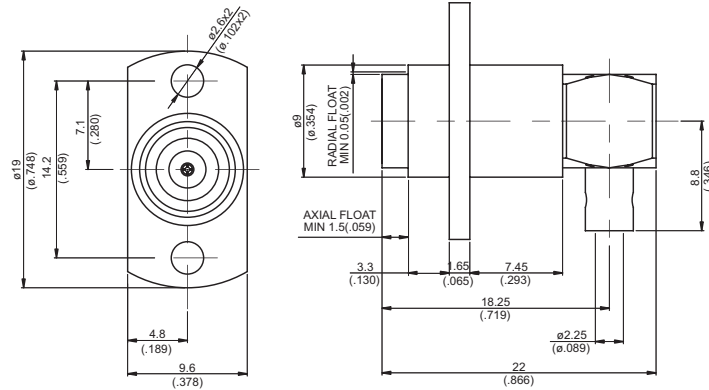
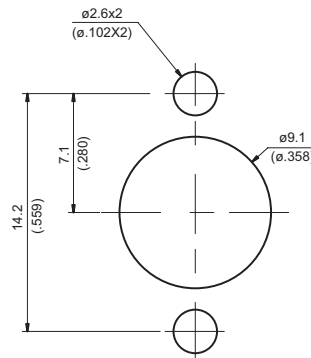


<b>BMA8362-9085</b>	<b>BMA Jack Solder Right Angle</b>	<b>50Ω</b>
---------------------	------------------------------------	------------



**MOUNTING HOLE**



Parts	Material	Plating (Micro-inch)
Cover	Brass	Gold 5 over Nickel 50 over Copper 50
Spring	Stainless	
Contact Body	Brass	Gold 5 over Nickel 50 over Copper 50
Contact Pin	Beryllium Copper	Gold 20 over Nickel 50 over Copper 50
Insulator	Teflon	
Ferrule	Brass	Gold 20 over Nickel 50 over Copper 50
Spring Washer	Beryllium Copper	Gold 5 over Nickel 50 over Copper 50
Spring Ring	Beryllium Copper	Gold 5 over Nickel 50 over Copper 50
Body	Brass	Gold 5 over Nickel 50 over Copper 50

Weight:  
Suitable Cables: Semi-rigid.085

**This part number complies with RoHS.**  
**Notice: JYEBAO reserves the right to make modifications deemed appropriate.**