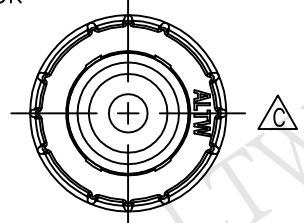
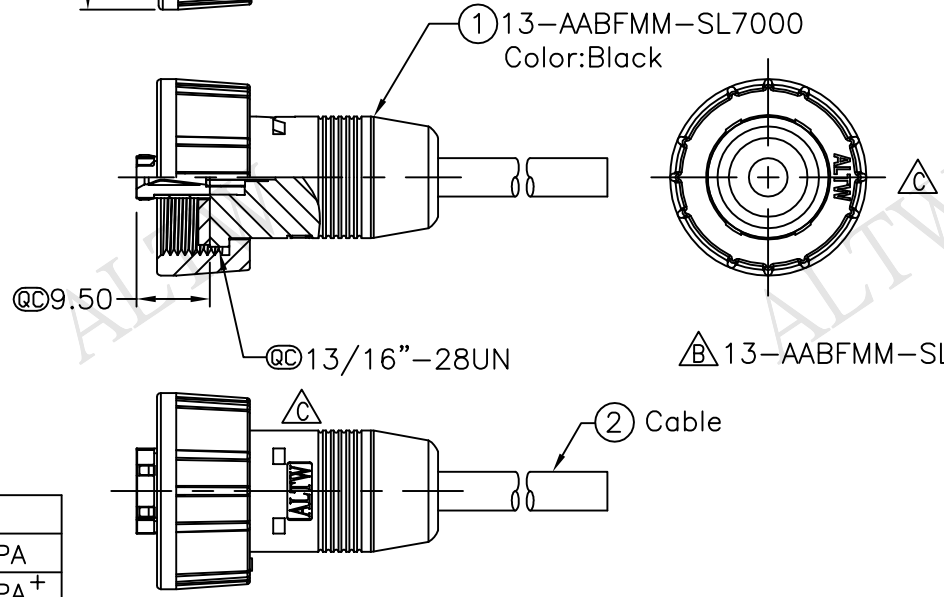
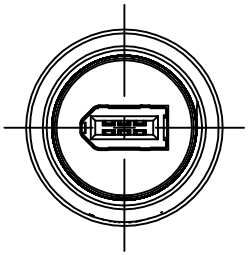
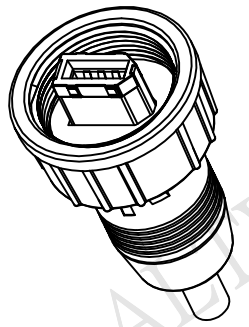
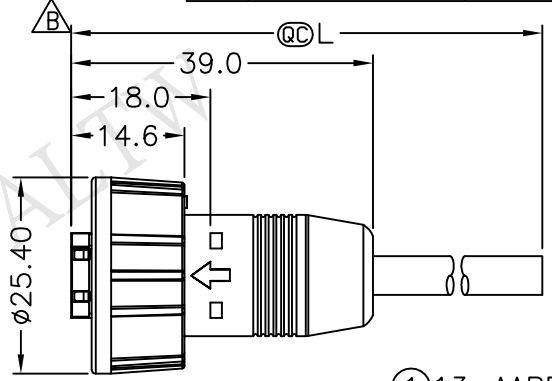
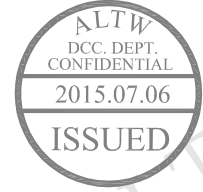
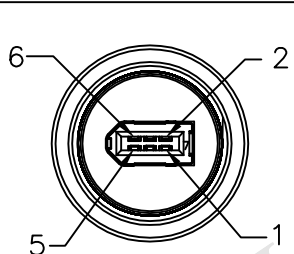


REV.	ECN NO.	DATE	SIGN	DESCRIPTION
B	LF3-650103~5	2006/05/10	DongYaLi	Change ANB152XXX01 To ANB152XXA01
C	LEN1570003~5	2015/03/23	Ruru	Change Logo



XX:01~99Meter
 01:01Meter
 02:02Meters
 ...
 99:99Meters
 Cable Length(L):01~99Meters



Pin Assignments
 Front View 前視圖

Shell	Shell		
6	Blue 藍	TPA	
5	Orange 橘	TPA ⁺	
4	Green 綠	TPB	
3	Red 紅	TPB ⁺	
2	Black 黑	VG	
1	White 白	VP	
Conn.	Wire Color	Signal	
	Pin Out		

Note:
 * @Q Important Dimension.
 * Connector: 1394 ,PBT,UL94V-0, Copper Alloy Gold Plated, Black
 * Cable: UL20276(1P*28AWG+AL+B)*2 +2C*22AWG+Tran.Mylar+AL+B), OD=6.5mm, Black
 * Cable Length Tolerance:1M~10M±5%mm,11M~99M±500mm.

UNIT:mm	
TOLERANCE	
.X	±0.25
.XX	±0.1
.XXX	±0.05
ANGLES	±1'

TITLE	1394 Cable Screw Female Conn Male Pin	
SCALE	Free	SHEET 1 OF 1
REV.	C	SIZE A4 @C :Inspection Item

Amphenol LTW
 安費諾亮泰企業股份有限公司

ITEM NO	DRAWN BY	DATE
DWG NO	CHECKED BY	DATE
CUSTOMER	APPROVED BY	DATE
	Ruru	2015/03/23
13-AABFMM-SL7AXX	Rita	2015/03/23
ALTW	Lion	2015/03/23

THIS DOCUMENT IS SUBJECT TO CHANGE WITHOUT NOTICE. IT IS CONFIDENTIAL AND A PROPERTY OF Amphenol LTW. DISCLOSURE TO THIRD PARTY HAS TO BE AUTHORIZED BY Amphenol LTW.